

## Data sheet

### UTP modul 8(8) Cat.6<sub>A</sub> Keystone white

Page 1/9

P/N  
130A11KI

EAN 4251122179402

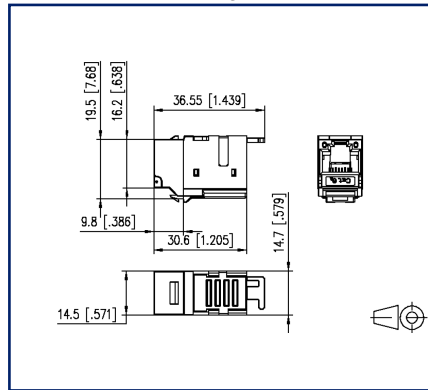
2022/12/16

Version: AH

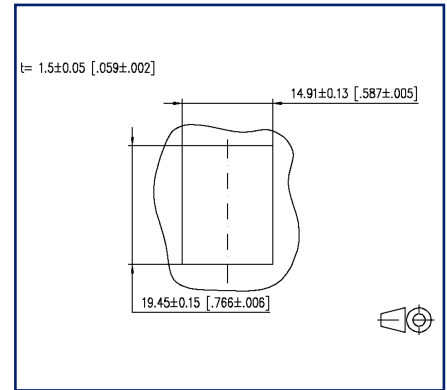
## Illustrations



Dimensional drawing



Cut-out



See enlarged drawings at the end of document

## Product specification

- unshielded modular termination unit Cat.6<sub>A</sub>, RJ45
- component testing for Cat.6<sub>A</sub> to ISO/IEC 11801 Ed.2.2:2011-06, DIN EN 50173-1:2011-09, TIA/EIA-568-C.2 (2009-08) and IEC 60603-7-41 Ed.1 (12/2008), certified by GHMT
- component testing for Cat.6<sub>A</sub> to TIA/EIA-568-C.2 and IEC 60512-27-100, certified by GHMT
- compliance with class E<sub>A</sub> to ISO/IEC 11801 Ed.2.2:2011-06, DIN EN 50173-1:2011-09, certified by GHMT
- tested: component up to 600 MHz, link up to 800 MHz
- suitable for 10 GBit Ethernet (IEEE 802.3an), Remote Powering (PoE, PoE plus, UPoE and 4PPoE) and HDBaseT
- easy to install connection of 2 to 4 pair data cables AWG 26/1 to 22/1 (solid wire) and stranded wires with 7 Cu strands AWG 26/7 to 22/7 (stranded wire) to insulation displacement connectors (IDC)
- marking of conductor assignment T568A and T568B
- easy and rapid insertion of the wire pairs into the UTP stuffer cap
- plastic module housing
- mounting without special tool
- strain relief possible with cable ties at the module
- mounting of colored dust protection covers to the module possible
- design: Keystone
- cable feed 180°
- variants: white and black

# P | Cabling

Data sheet

Page 2/9

## UTP modul 8(8) Cat.6<sub>A</sub> Keystone white

P/N  
130A11KI

EAN 4251122179402

2022/12/16

Version: AH

### Technical Data

#### General Data

|   |                                   |
|---|-----------------------------------|
| Fields of application                         | office areas                      |
| Mechanical measurement according to MICE      | M1                                |
| Ingress measurement according to MICE         | I1                                |
| Climatic measurement according to MICE        | C1                                |
| Electromagnetic measurement according to MICE | E1                                |
| Design  | Jack                              |
| Shielding                                     | unshielded                        |
| Transmission technology                       | Copper                            |
| Wiring  | T568A, T568B                      |
| Color   | white                             |
| Dimensions                                    |                                   |
| Dimension (L x W x H)                         | 36.55 mm x 14.7 mm x 19.5 mm      |
| Dimension (L x W x H)                         | 1.439 in. x 0.579 in. x 0.768 in. |
| Modularity                                    | yes                               |

#### Transmission characteristics

|                 |                |
|-----------------|----------------|
| Category (ISO)  | 6 <sub>A</sub> |
| Class (ISO/IEC) | E <sub>A</sub> |
| Category (TIA)  | 6A             |
| Remote Powering | yes            |
| PoE             | IEEE 802.3af   |
| PoE plus        | IEEE 802.3at   |
| UPoE            | yes            |
| 4PPoE           | IEEE 802.3bt   |
| HDBaseT         | yes            |

#### Connections/interfaces

|  |                |
|--|----------------|
| Connector technology interface 1         | IDC-connection |
| Connector technology interface 2         | RJ45-jack      |
| Number of ports interface 2              | 1              |
| Number of ports interface 2 equipped     | 1              |
| Number of positions/contacts interface 1 | 8              |
| Number of positions/contacts interface 2 | 8P/8C          |

# P | Cabling

Data sheet

Page 3/9

## UTP modul 8(8) Cat.6<sub>A</sub> Keystone white

P/N  
130A11KI

EAN 4251122179402

2022/12/16

Version: AH

### Technical Data

#### Connections/interfaces

Termination data, solid wire (min. - max.)

|  |   |
|--|---|
| Conductor cross section, solid wire          | AWG 26/1 - AWG 22/1                           |
| Conductor cross section, solid wire          | 0.128 mm <sup>2</sup> - 0.324 mm <sup>2</sup> |
| Conductor diameter, solid wire (bare copper) | 0.409 mm - 0.643 mm                           |
| Conductor diameter, solid wire (bare copper) | 0.016 in. - 0.025 in.                         |

Termination data, stranded wire (min. - max.)

|   |   |
|---|---|
| Conductor cross section, stranded wire          | AWG 26/7 - AWG 22/7                           |
| Conductor cross section, stranded wire          | 0.141 mm <sup>2</sup> - 0.355 mm <sup>2</sup> |
| Conductor diameter, stranded wire (bare copper) | 0.483 mm - 0.762 mm                           |
| Conductor diameter, stranded wire (bare copper) | 0.019 in. - 0.03 in.                          |

Cable access/outlet 180°

#### Electrical characteristics

|   |                |
|---|----------------|
| Current carrying capacity                           | max. 1 A       |
| Rated voltage                                       | max. 50 V      |
| Contact resistance                                  | max. 20 mOhm   |
| Through resistance                                  | max. 200 mOhm  |
| Insulation resistance                               | min. 500 MOhm  |
| Dielectric strength conductor-conductor (secondary) | min. 1000 V DC |

#### Mechanical data

|  |                                    |
|--|------------------------------------|
| Cut-out  | Keystone                           |
| Mounting method  | snap-in function                   |
| Insertion and withdrawal force                               | max. 20 N                          |
| Life - Number of mating cycles                               | min. 750                           |
| Position/mounting of latch<br>standard installation position | top                                |
| strain relief  | with cable tie, attached to module |



# P | Cabling

Data sheet

Page 4/9

## UTP modul 8(8) Cat.6<sub>A</sub> Keystone white

P/N  
130A11KI

EAN 4251122179402

2022/12/16

Version: AH

### Technical Data

#### Materials and material properties

|                           |  |
|---------------------------|--|
| Material - Housing        | PA 6.6 UL94 V0   |
| Material - Contact        | CuSn (tin bronze)  |
| Material - Contact finish | Ni + Au (nickel-gold)  |
| Material - Stuffer cap    | PA 6.6 UL94 V0   |
| Material - Strain relief  | PA 6.6 UL94 V0   |
| Halogen free              | yes  |
| Silicone free             | no paint wetting interfering substances (LaBS) in the process chain                    |
| LaBS Note                 | subsequent contamination possible due to handling and possible storage in your company |
| RoHS                      | compliant  |
| REACH                     | compliant  |

#### Environmental conditions

|                             |  |
|-----------------------------|--|
| Rapid change of temperature | -40°C / -40°F - +70°C / 158°F / 25 cycles t=30 min |
|-----------------------------|--|

#### Approvals

|                      |              |
|----------------------|--------------|
| UL listed (file no.) | DUXR.E178484 |
|----------------------|--------------|

#### Standards/Regulations

|   |  |
|---|--|
| Generic cabling systems   |  |
| General requirements  | ANSI/TIA-568-C   |
| Office buildings  | ISO/IEC 11801 Ed.2.2: 2011-06   DIN EN 50173-2<br>ANSI/TIA-568-C |
| Living units  | ISO/IEC 15018   DIN EN 50173-4<br>ANSI/TIA-570-B                 |
| Connectors for electronic equipment   |  |
| Free and fixed connectors   | DIN EN 60603-7-4:2011-03   |
| Connectors for electronic equipment - Tests and measurements                            |  |
| Test standard for connectors (engaging and separating connectors under electrical load) | DIN-EN 60512-99-001, Pg. UEL1                                    |
| Endurance tests   | IEC 60512-9-3: 03-2009   |
| Emission proof  |  |
| Climate tests   | IEC 60512-11   |

# P | Cabling

Data sheet

Page 5/9

## UTP modul 8(8) Cat.6<sub>A</sub> Keystone white

P/N

130A11KI

EAN 4251122179402

2022/12/16

Version: AH

### Technical Data

#### Classifications

|          |          |
|----------|----------|
| ETIM 5.0 | EC001121 |
| ETIM 6.0 | EC001121 |
| ETIM 7.0 | EC001121 |
| ETIM 8.0 | EC001121 |

#### Packing details

|                     |                                    |
|---------------------|------------------------------------|
| Type of packaging   | 12 pc(s) / blister packaging       |
| Packaging dimension | 300 mm x 200 mm x 20 mm            |
| Packaging dimension | 11.811 in. x 7.874 in. x 0.787 in. |



# P | Cabling

Data sheet

Page 6/9

## UTP modul 8(8) Cat.6<sub>A</sub> Keystone white

P/N

130A11KI

EAN 4251122179402

2022/12/16

Version: AH

### Accessories

| P/N           | Designation  |
|---------------|--|
| 820032-0102-I | Dust protection cover for C6 <sub>A</sub> modul pure white |
| 820032-0103-I | Dust protection cover for C6 <sub>A</sub> modul light gray |
| 820032-0105-I | Dust protection cover for C6 <sub>A</sub> modul yellow     |
| 820032-0106-I | Dust protection cover for C6 <sub>A</sub> modul blue       |
| 820032-0107-I | Dust protection cover for C6 <sub>A</sub> modul green      |
| 820032-0108-I | Dust protection cover for C6 <sub>A</sub> modul red        |
| 820032-0129-I | Dust protection cover for C6 <sub>A</sub> modul black      |

### Accessories from

| P/N           | Designation   |
|---------------|---|
| 130861-0202KE | Keystone surface mount housing 2 port pure white, unequipped                        |
| 130861-0302KE | Keystone surface mount housing 3 port pure white, unequipped                        |
| 130861-0402KE | Keystone surface mount housing 4 port pure white, unequipped                        |
| 130861-0602KE | Keystone surface mount housing 6 port pure white, unequipped                        |
| 130861-0802KE | Keystone surface mount housing 8 port pure white, unequipped                        |
| 130861-1202KE | Keystone surface mount housing 12 port pure white, unequipped                       |
| 130861-1602KE | Keystone surface mount housing 16 port pure white, unequipped                       |
| 130861-2402KE | Keystone surface mount housing 2x12 port pure white, unequipped                     |
| 130910D1APLKE | Extension box APZ 1 port E-DAT modul Keystone                                       |
| 130910D2APLKE | Extension box APZ 2 port E-DAT modul keystone                                       |
| 130920-00KE   | Keystone 19 inch module frame 1RU<br>24 port light gray unequipped, shielded        |
| 130920-BKKE   | Keystone 19 inch module frame 1RU<br>24 port black unequipped, shielded             |
| 130925-BKKE   | Keystone 19 inch module frame 0.5RU 24 port black unequipped                        |
| 130925-GRKE   | Keystone 19 inch module frame 0.5RU 24 port gray unequipped                         |
| 130926-0003KE | Keystone 19 inch module frame 1RU 24 port grey unequipped, shielded                 |
| 130926-0029KE | Keystone 19 inch module frame 1RU 24 port black unequipped, shielded                |
| 130926A0003KE | Keystone 19 inch module frame 1RU 24 port angeled grey unequipped, shielded         |
| 130926A0029KE | Keystone 19 inch module frame 1RU 24 port angeled black unequipped, shielded        |
| 130926AA029KE | Keystone 19 inch module frame 1RU 24 ports 133° angled, black, unequipped, shielded |
| 130927-1200KE | SmartConnect Patchpanel 12 port Keystone, unequipped                                |
| 1309428103-E  | Keystone REGplus IP20 light gray unequipped   |
| 1309A0D1APLKE | Extension box APZ, 1 port, E-DAT coupler  |
| 1309A0D2APLKE | Extension box APZ, 2 port, E-DAT coupler  |
| 130A20-00-E   | Keystone 19 inch module frame 1RU 24 port light gray unequipped, unshielded         |
| 130A20-BK-E   | Keystone 19 inch module frame 1RU 24 port black unequipped, unshielded              |
| 130A21-00-E   | Keystone 19 inch module frame 1RU 24 port stainless steel unequipped                |
| 130A24-00-E   | Keystone 19 inch module frame 1.5RU 48 port stainless steel unequipped              |

# P | Cabling

Data sheet

Page 8/9

## UTP modul 8(8) Cat.6<sub>A</sub> Keystone white

P/N

130A11KI

EAN 4251122179402

2022/12/16

Version: AH

### Accessories from

|               |  |
|---------------|--|
| 130B20E2E-E   | Keystone module frame 3RU, 7HP 6 port stainless steel unequipped |
| 130B21D1APL-E | Extension box APZ 1 port C6 <sub>A</sub> modul Keystone          |
| 130B21D2APL-E | Extension box APZ 2 port C6 <sub>A</sub> modul Keystone          |
| 130D2CKU4-E   | DCCS2 subassembly 4 port unequipped - Keystone                   |

# P | Cabling

Data sheet

UTP modul 8(8) Cat.6<sub>A</sub> Keystone white

Page 9/9

P/N

130A11KI

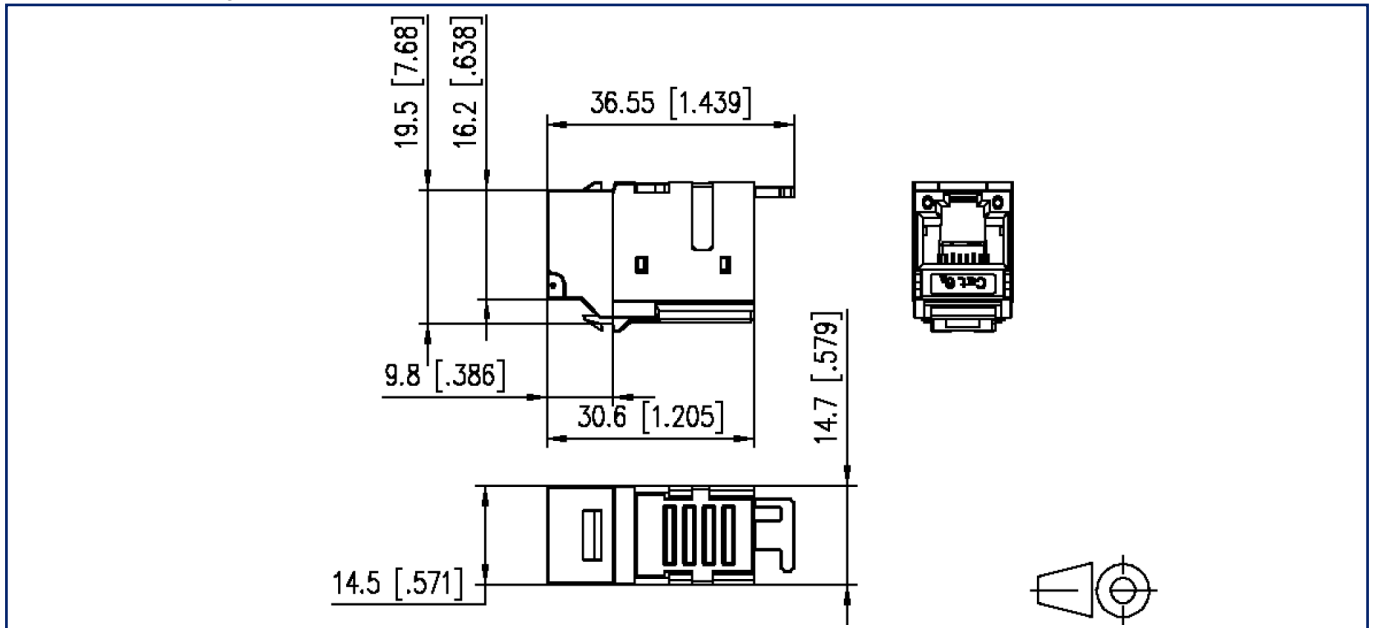
EAN 4251122179402

2022/12/16

Version: AH

## Illustrations

Dimensional drawing



Cut-out

