

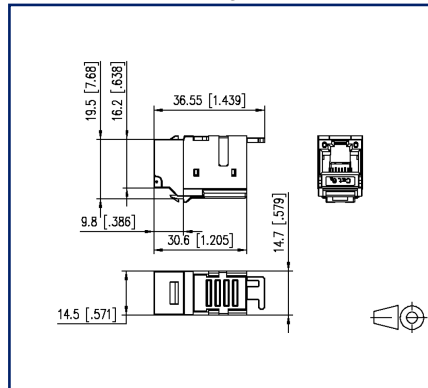
## Data sheet

### UTP modul 8(8) Cat.6<sub>A</sub> Keystone black

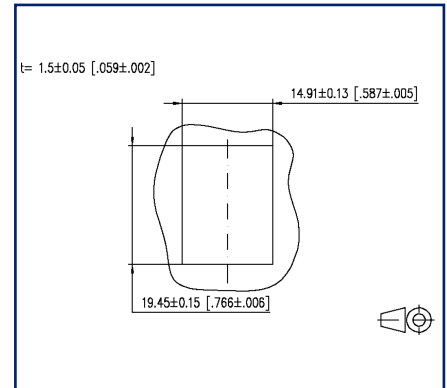
## Illustrations



Dimensional drawing



Cut-out



See enlarged drawings at the end of document

## Product specification

- unshielded modular termination unit Cat.6<sub>A</sub>, RJ45
- component testing for Cat.6<sub>A</sub> to ISO/IEC 11801 Ed.2.2:2011-06, DIN EN 50173-1:2011-09, TIA/EIA-568-C.2 (2009-08) and IEC 60603-7-41 Ed.1 (12/2008), certified by GHMT
- component testing for Cat.6<sub>A</sub> to TIA/EIA-568-C.2 and IEC 60512-27-100, certified by GHMT
- compliance with class E<sub>A</sub> to ISO/IEC 11801 Ed.2.2:2011-06, DIN EN 50173-1:2011-09, certified by GHMT
- tested: component up to 600 MHz, link up to 800 MHz
- suitable for 10 GBit Ethernet (IEEE 802.3an), Remote Powering (PoE, PoE plus, UPoE and 4PPoE) and HDBaseT
- easy to install connection of 2 to 4 pair data cables AWG 26/1 to 22/1 (solid wire) and stranded wires with 7 Cu strands AWG 26/7 to 22/7 (stranded wire) to insulation displacement connectors (IDC)
- marking of conductor assignment T568A and T568B
- easy and rapid insertion of the wire pairs into the UTP stuffer cap
- plastic module housing
- mounting without special tool
- strain relief possible with cable ties at the module
- mounting of colored dust protection covers to the module possible
- design: Keystone
- cable feed 180°
- variants: white and black

# P | Cabling

Data sheet

Page 2/9

## UTP modul 8(8) Cat.6<sub>A</sub> Keystone black

P/N

130A11-29KI

EAN 4251122179389

2022/12/16

Version: AF

### Technical Data

#### General Data

Fields of application	office areas
Mechanical measurement according to MICE	M1
Ingress measurement according to MICE	I1
Climatic measurement according to MICE	C1
Electromagnetic measurement according to MICE	E1
Design	Jack
Shielding	unshielded
Transmission technology	Copper
Wiring	T568A, T568B
Color	black
Dimensions	
Dimension (L x W x H)	36.55 mm x 14.7 mm x 19.5 mm
Dimension (L x W x H)	1.439 in. x 0.579 in. x 0.768 in.
Modularity	yes

#### Transmission characteristics

Category (ISO)	6 <sub>A</sub>
Class (ISO/IEC)	E <sub>A</sub>
Category (TIA)	6A
Remote Powering	yes
PoE	IEEE 802.3af
PoE plus	IEEE 802.3at
UPoE	yes
4PPoE	IEEE 802.3bt
HDBaseT	yes

#### Connections/interfaces

Connector technology interface 1	IDC-connection
Connector technology interface 2	RJ45-jack
Number of ports interface 2	1
Number of ports interface 2 equipped	1
Number of positions/contacts interface 1	8
Number of positions/contacts interface 2	8P/8C

# P | Cabling

Data sheet

Page 3/9

## UTP modul 8(8) Cat.6<sub>A</sub> Keystone black

P/N

130A11-29KI

EAN 4251122179389

2022/12/16

Version: AF

### Technical Data

#### Connections/interfaces

Termination data, solid wire (min. - max.)

Conductor cross section, solid wire	AWG 26/1 - AWG 22/1
Conductor cross section, solid wire	0.128 mm <sup>2</sup> - 0.324 mm <sup>2</sup>
Conductor diameter, solid wire (bare copper)	0.409 mm - 0.643 mm
Conductor diameter, solid wire (bare copper)	0.016 in. - 0.025 in.

Termination data, stranded wire (min. - max.)

Conductor cross section, stranded wire	AWG 26/7 - AWG 22/7
Conductor cross section, stranded wire	0.141 mm <sup>2</sup> - 0.355 mm <sup>2</sup>
Conductor diameter, stranded wire (bare copper)	0.483 mm - 0.762 mm
Conductor diameter, stranded wire (bare copper)	0.019 in. - 0.03 in.

Cable access/outlet 180°

#### Electrical characteristics

Current carrying capacity	max. 1 A
Rated voltage	max. 50 V
Contact resistance	max. 20 mOhm
Through resistance	max. 200 mOhm
Insulation resistance	min. 500 MOhm
Dielectric strength conductor-conductor (secondary)	min. 1000 V DC

#### Mechanical data

Cut-out	Keystone
Mounting method	snap-in function
Insertion and withdrawal force	max. 20 N
Life - Number of mating cycles	min. 750
Position/mounting of latch standard installation position	top
strain relief	with cable tie, attached to module

# P | Cabling

Data sheet

Page 4/9

## UTP modul 8(8) Cat.6<sub>A</sub> Keystone black

P/N

130A11-29KI

EAN 4251122179389

2022/12/16

Version: AF

### Technical Data

#### Materials and material properties

Material - Housing	PA 6.6 UL94 V0
Material - Contact	CuSn (tin bronze)
Material - Contact finish	Ni + Au (nickel-gold)
Material - Stuffer cap	PA 6.6 UL94 V0
Material - Strain relief	PA 6.6 UL94 V0
Halogen free	yes
Silicone free	no paint wetting interfering substances (LaBS) in the process chain
LaBS Note	subsequent contamination possible due to handling and possible storage in your company
RoHS	compliant
REACH	compliant

#### Environmental conditions

Rapid change of temperature	-40°C / -40°F - +70°C / 158°F / 25 cycles t=30 min
-----------------------------	--

#### Approvals

UL listed (file no.)	DUXR.E178484
----------------------	--------------

#### Standards/Regulations

Generic cabling systems	
General requirements	ANSI/TIA-568-C
Office buildings	ISO/IEC 11801 Ed.2.2: 2011-06   DIN EN 50173-2 ANSI/TIA-568-C
Living units	ISO/IEC 15018   DIN EN 50173-4 ANSI/TIA-570-B
Connectors for electronic equipment	
Free and fixed connectors	DIN EN 60603-7-4:2011-03
Connectors for electronic equipment - Tests and measurements	
Test standard for connectors (engaging and separating connectors under electrical load)	DIN-EN 60512-99-001, Pg. UEL1
Endurance tests	IEC 60512-9-3: 03-2009
Emission proof	
Climate tests	IEC 60512-11

# P | Cabling

Data sheet

Page 5/9

## UTP modul 8(8) Cat.6<sub>A</sub> Keystone black

P/N

130A11-29KI

EAN 4251122179389

2022/12/16

Version: AF

### Technical Data

#### Classifications

ETIM 5.0	EC001121
ETIM 6.0	EC001121
ETIM 7.0	EC001121
ETIM 8.0	EC001121

#### Packing details

Type of packaging	12 pc(s) / blister packaging
Packaging dimension	300 mm x 200 mm x 20 mm
Packaging dimension	11.811 in. x 7.874 in. x 0.787 in.



# P | Cabling

Data sheet

Page 6/9

## UTP modul 8(8) Cat.6<sub>A</sub> Keystone black

P/N

130A11-29KI

EAN 4251122179389

2022/12/16

Version: AF

### Accessories

P/N	Designation
820032-0102-I	Dust protection cover for C6 <sub>A</sub> modul pure white
820032-0103-I	Dust protection cover for C6 <sub>A</sub> modul light gray
820032-0105-I	Dust protection cover for C6 <sub>A</sub> modul yellow
820032-0106-I	Dust protection cover for C6 <sub>A</sub> modul blue
820032-0107-I	Dust protection cover for C6 <sub>A</sub> modul green
820032-0108-I	Dust protection cover for C6 <sub>A</sub> modul red
820032-0129-I	Dust protection cover for C6 <sub>A</sub> modul black

### Accessories from

P/N	Designation
130861-0202KE	Keystone surface mount housing 2 port pure white, unequipped
130861-0302KE	Keystone surface mount housing 3 port pure white, unequipped
130861-0402KE	Keystone surface mount housing 4 port pure white, unequipped
130861-0602KE	Keystone surface mount housing 6 port pure white, unequipped
130861-0802KE	Keystone surface mount housing 8 port pure white, unequipped
130861-1202KE	Keystone surface mount housing 12 port pure white, unequipped
130861-1602KE	Keystone surface mount housing 16 port pure white, unequipped
130861-2402KE	Keystone surface mount housing 2x12 port pure white, unequipped
130910D1APLKE	Extension box APZ 1 port E-DAT modul Keystone
130910D2APLKE	Extension box APZ 2 port E-DAT modul keystone
130920-00KE	Keystone 19 inch module frame 1RU 24 port light gray unequipped, shielded
130920-BKKE	Keystone 19 inch module frame 1RU 24 port black unequipped, shielded
130925-BKKE	Keystone 19 inch module frame 0.5RU 24 port black unequipped
130925-GRKE	Keystone 19 inch module frame 0.5RU 24 port gray unequipped
130926-0003KE	Keystone 19 inch module frame 1RU 24 port grey unequipped, shielded
130926-0029KE	Keystone 19 inch module frame 1RU 24 port black unequipped, shielded
130926A0003KE	Keystone 19 inch module frame 1RU 24 port angeled grey unequipped, shielded
130926A0029KE	Keystone 19 inch module frame 1RU 24 port angeled black unequipped, shielded
130926AA029KE	Keystone 19 inch module frame 1RU 24 ports 133° angled, black, unequipped, shielded
130927-1200KE	SmartConnect Patchpanel 12 port Keystone, unequipped
1309428103-E	Keystone REGplus IP20 light gray unequipped
1309A0D1APLKE	Extension box APZ, 1 port, E-DAT coupler
1309A0D2APLKE	Extension box APZ, 2 port, E-DAT coupler
130A20-00-E	Keystone 19 inch module frame 1RU 24 port light gray unequipped, unshielded
130A20-BK-E	Keystone 19 inch module frame 1RU 24 port black unequipped, unshielded
130A21-00-E	Keystone 19 inch module frame 1RU 24 port stainless steel unequipped
130A24-00-E	Keystone 19 inch module frame 1.5RU 48 port stainless steel unequipped

# P | Cabling

Data sheet

Page 8/9

## UTP modul 8(8) Cat.6<sub>A</sub> Keystone black

P/N

130A11-29KI

EAN 4251122179389

2022/12/16

Version: AF

### Accessories from

130B20E2E-E	Keystone module frame 3RU, 7HP 6 port stainless steel unequipped
130B21D1APL-E	Extension box APZ 1 port C6 <sub>A</sub> modul Keystone
130B21D2APL-E	Extension box APZ 2 port C6 <sub>A</sub> modul Keystone
130D2CKU4-E	DCCS2 subassembly 4 port unequipped - Keystone



# P | Cabling

Data sheet

UTP modul 8(8) Cat.6<sub>A</sub> Keystone black

Page 9/9

P/N

130A11-29KI

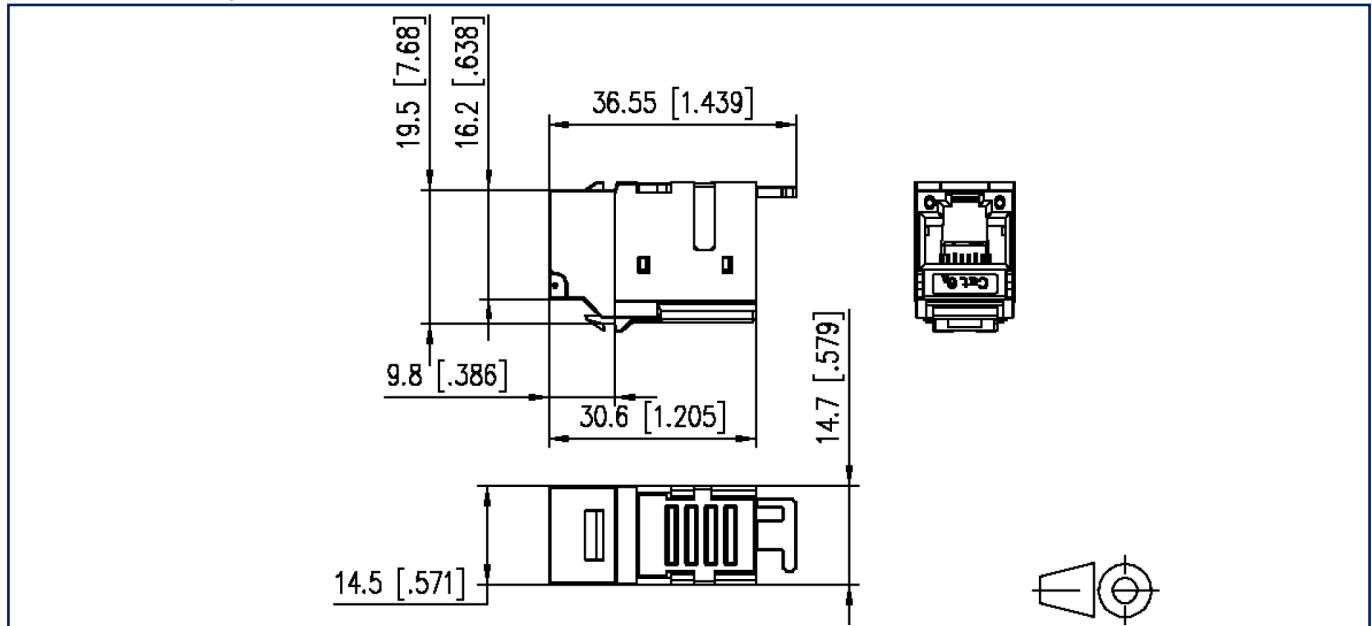
EAN 4251122179389

2022/12/16

Version: AF

## Illustrations

Dimensional drawing



Cut-out

