



Sample image


## LATERAL AUXILIARY CONTACTS for KG20 - KG317 and KH(R)16 - KH(R)25B

**Designation:** K0.H010/A11-VE

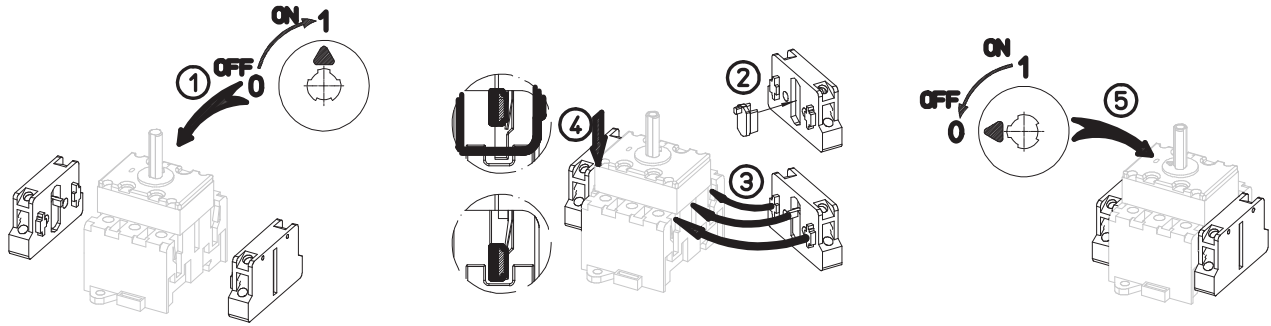
**Kind of contact operation:** "A" not overlapping

**Contact combination:** "11" 1 NO + 1 NC

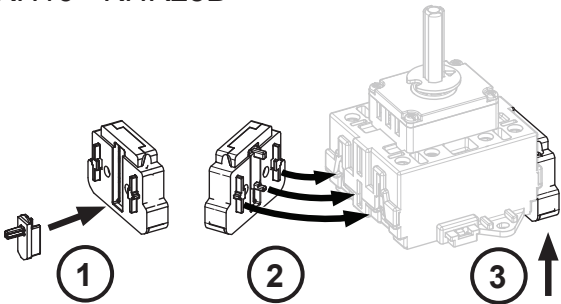
**Type of mounting:** "-VE" for type of mounting VE

<b>IEC 60947-3 EN 60947-3, VDE 0660 Teil 107</b>					
<b>Märkdriftspänning Ui</b>					
			Spänning (V) AC / DC		
			500 AC		
<b>UL60947-4-1 , UL508</b>					
<b>Nominal Voltage</b>					
			Spänning (V) AC / DC		
			600 AC		
<b>Märkdriftspänning Ui</b>					
			Spänning (V) AC / DC		
			600 AC		
<b>Rated thermal current</b>					
		Ström (A)	Omgivningstemperatur (°C)		Additional Text
		10	0 - 40		-
<b>Pilot duty rating code</b>					
Duty Code					
A600					
<b>General Use</b>					
AC / DC	Spänning (V)	Ström (A)	No. of phases	No. of poles	No. of contacts in series
AC	600	10	1	1	1
<b>General Information</b>					
Text					
- Använd endast kopparkabel. Kabeln får inte förtennas.					
<b>CSA</b>					
<b>Temp. rating of wire</b>					
			Temperature rating (°C)	Ström (A) Text	
			75	- only	
<b>GENERAL TECHNICAL INFORMATION</b>					
<b>Size of conductor</b>					
composition of conductor	Min. / Max. value	No. of conductor per terminal		Cross section (mm <sup>2</sup> ) or (AWG/kcmil)	Material of the wire
flexible wire	Max.			2 AWG 16	Copper
flexible wire	Max.			2 1,5mm <sup>2</sup>	Copper
Single-core or stranded wire	Max.			2 AWG 14	Copper
Single-core or stranded wire	Max.			2 1,5mm <sup>2</sup>	Copper
flexible wire with ferrule according to DIN 46228	Max.			2 1,5mm <sup>2</sup>	Copper
<b>Stripping length</b>					
			Length (mm) --		
					
<b>Rekomenderad skruvmejsel</b>					
Typ av skruvmejsel			Value		
Stjärskruvmejsel			PH1		
Slot screwdriver according to DIN 5264			0,6x3,5		
<b>Tightening torque of screws</b>					
			tightening torque (Nm)	tightening torque (lb-in)	
			0,40	3,50	

KG20 - KG100C



KH16 - KHR25B



31 43  
   
 32 44  
 