



Sample image


## LATERAL AUXILIARY CONTACTS for KG20 - KG317 and KH(R)16 - KH(R)25B

**Designation:** K0.H010/A11-VE

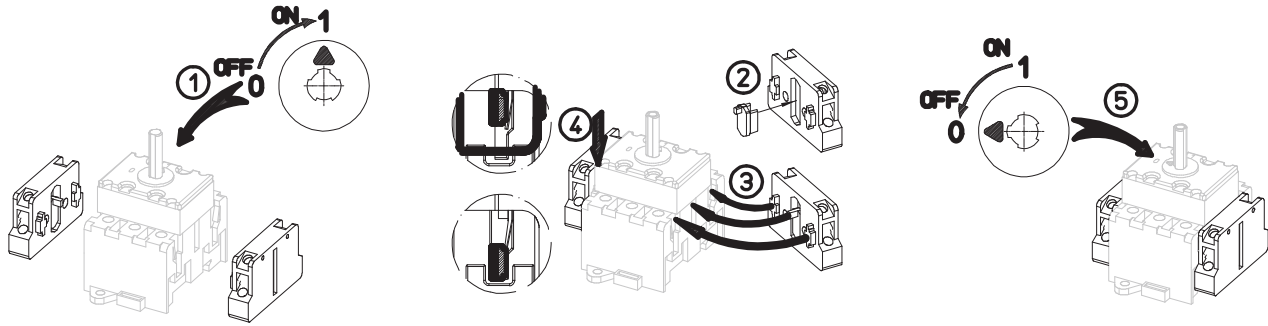
**Kind of contact operation:** "A" not overlapping

**Contact combination:** "11" 1 NO + 1 NC

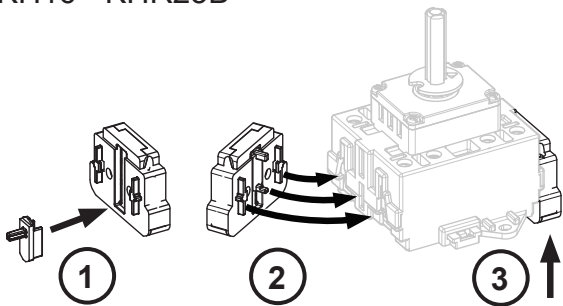
**Type of mounting:** "-VE" for type of mounting VE

<b>IEC 60947-3 EN 60947-3, VDE 0660 Teil 107</b>					
<b>Tension assignée d'isolement Ui</b>					
			<i>Tension (V) AC / DC</i>		
			500 AC		
<b>UL60947-4-1 , UL508</b>					
<b>Nominal Voltage</b>					
			<i>Tension (V) AC / DC</i>		
			600 AC		
<b>Tension assignée d'isolement Ui</b>					
			<i>Tension (V) AC / DC</i>		
			600 AC		
<b>Rated thermal current</b>					
		<i>Intensité (A)</i>			<i>Température Ambiante (°) Additional Text</i>
		10			0 - 40 -
<b>Pilot duty rating code</b>					
<i>Duty Code</i>					
A600					
<b>General Use</b>					
<i>AC / DC</i>	<i>Tension (V)</i>	<i>Intensité (A)</i>	<i>Nb de phases</i>	<i>Nb de pôles</i>	<i>No. of contacts in series</i>
AC	600	10	1	1	1
<b>General Information</b>					
<i>Text</i>					
- Use copper wire only. Do not coat the wire end with tin.					
<b>CSA</b>					
<b>Temp. rating of wire</b>					
			<i>Temperature rating (°C)</i>	<i>Intensité (A) Text</i>	
			75	- only	
<b>GENERAL TECHNICAL INFORMATION</b>					
<b>Size of conductor</b>					
<i>composition of conductor</i>	<i>Min. / Max. value</i>	<i>No. of conductor per terminal</i>		<i>Cross section (mm<sup>2</sup>) or (AWG/kcmil)</i>	<i>Material of the wire</i>
flexible wire	Max.			2 AWG 16	Copper
flexible wire	Max.			2 1,5mm <sup>2</sup>	Copper
Single-core or stranded wire	Max.			2 AWG 14	Copper
Single-core or stranded wire	Max.			2 1,5mm <sup>2</sup>	Copper
flexible wire with ferrule according to DIN 46228	Max.			2 1,5mm <sup>2</sup>	Copper
<b>Stripping length</b>					
			<i>Length (mm) - -</i>		
					
<b>Recommandations concernant le tournevis</b>					
			<i>Type</i>		
			Tournevis cruciforme		
			<i>Value</i>		
			PH1		
			Slot screwdriver according to DIN 5264		
			0,6x3,5		
<b>Tightening torque of screws</b>					
			<i>tightening torque (Nm)</i>		<i>tightening torque (lb-in)</i>
			0,40		3,50

KG20 - KG100C



KH16 - KHR25B



31 43  
   
 32 44  
 