



Sample image


LATERAL AUXILIARY CONTACTS for KG20 - KG317 and KH(R)16 - KH(R)25B

Designation: K0.H010/A11-VE

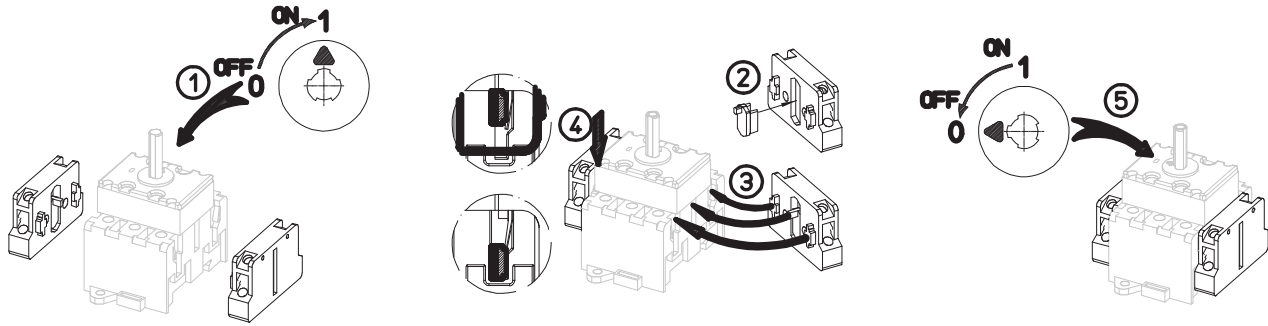
Kind of contact operation: "A" not overlapping

Contact combination: "11" 1 NO + 1 NC

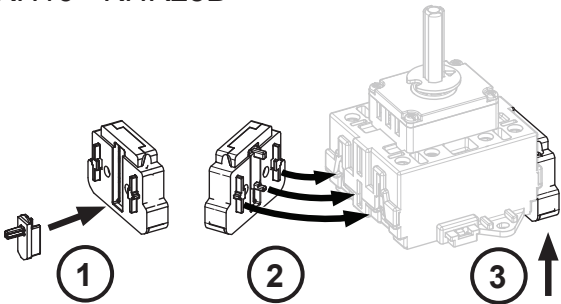
Type of mounting: "-VE" for type of mounting VE

IEC 60947-3 EN 60947-3, VDE 0660 Teil 107					
Rated insulation voltage Ui					
			Voltage (V) AC / DC		
			500 AC		
UL60947-4-1 , UL508					
Nominal Voltage					
			Voltage (V) AC / DC		
			600 AC		
Rated insulation voltage Ui					
			Voltage (V) AC / DC		
			600 AC		
Rated thermal current					
		Current (A)	Ambient temperature (°C)		Additional Text
		10	0 - 40		-
Pilot duty rating code					
Duty Code					
A600					
General Use					
AC / DC	Voltage (V)	Current (A)	No. of phases	No. of poles	No. of contacts in series
AC	600	10	1	1	1
General Information					
Text					
- Use copper wire only. Do not coat the wire end with tin.					
CSA					
Temp. rating of wire					
		Temperature rating (°C)	Current (A) Text		
		75	- only		
GENERAL TECHNICAL INFORMATION					
Size of conductor					
composition of conductor	Min. / Max. value	No. of conductor per terminal		Cross section (mm ²) or (AWG/kcmil)	Material of the wire
flexible wire	Max.			2 AWG 16	Copper
flexible wire	Max.			2 1.5mm ²	Copper
Single-core or stranded wire	Max.			2 AWG 14	Copper
Single-core or stranded wire	Max.			2 1.5mm ²	Copper
flexible wire with ferrule according to DIN 46228	Max.			2 1.5mm ²	Copper
Stripping length					
			Length (mm) --		
					
Recommended screw driver					
Type of screw driver			Value		
Cross Screwdriver			PH1		
Slot screwdriver according to DIN 5264			0,6x3,5		
Tightening torque of screws					
			tightening torque (Nm)	tightening torque (lb-in)	
			0,40	3,50	

KG20 - KG100C



KH16 - KHR25B



31 43
 
 32 44
 