

# Lighting and "Service" Connectors 224 Series

PUSH WIRE®  
CAGE CLAMP®

12


483

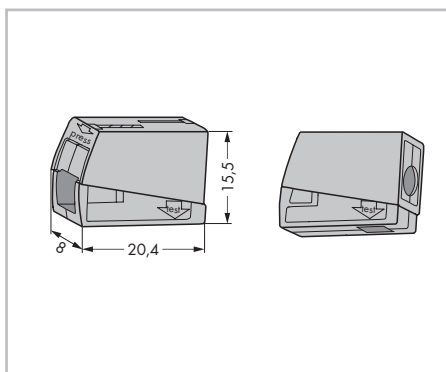
<b>Installation side</b> 1 ... 2.5 mm <sup>2</sup> "s" AWG 14 ... 12 <b>Lighting side</b> 0.5 ... 2.5 mm <sup>2</sup> "s+f-st" 400 V/4 kV/2; 24 A 9 ... 11 mm / 0.39 in.	<b>Installation side</b> 1 ... 2.5 mm <sup>2</sup> "s" AWG 14 ... 12 <b>Lighting side</b> 0.5 ... 2.5 mm <sup>2</sup> "s+f-st" 400 V/4 kV/2; 24 A 9 ... 11 mm / 0.39 in.	<b>0.5 ... 2.5 mm<sup>2</sup> "s+f-st"</b> AWG 20 ... 16 400 V/4 kV/2 I <sub>N</sub> 24 A 9 ... 11 mm / 0.39 in.
--	--	--



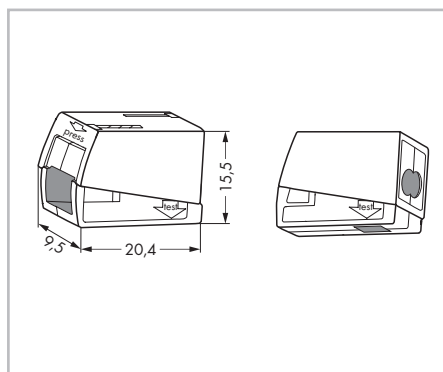
Color	Item No.	Pack. Unit	Color	Item No.	Pack. Unit	Color	Item No.	Pack. Unit
<b>Lighting connector,</b> standard version, continuous service temperature 105°C			<b>2-conductor lighting connector,</b> standard version, continuous service temperature 105°C			<b>"Service" connector</b>		
○ gray	<b>224-101</b>	1000 (10x100)	○ white	<b>224-112</b>	1000 (10x100)	○ gray	<b>224-201</b>	50
<b>Lighting connector,</b> version for increased continuous service temperature of 120°C			<b>2-conductor lighting connector,</b> version for increased continuous service temperature of 120°C					
● black	<b>224-104</b>	100	● black	<b>224-114</b>	100			

## 224 Series Accessories

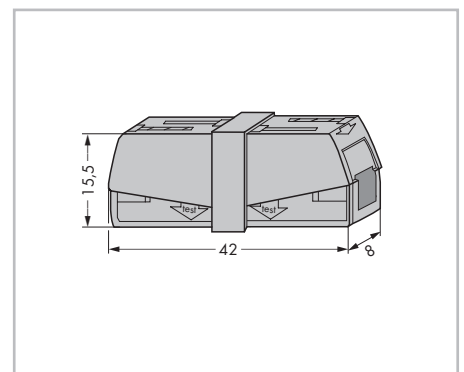
<b>Syringe,</b>  contents: 20 ml "Alu-Plus" contact paste <b>249-130</b> 20 (4x5)		



Dimensions in mm



Dimensions in mm



Dimensions in mm

12