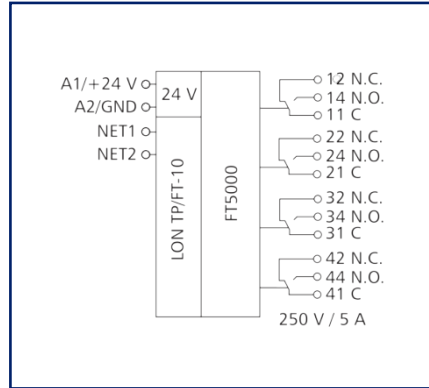


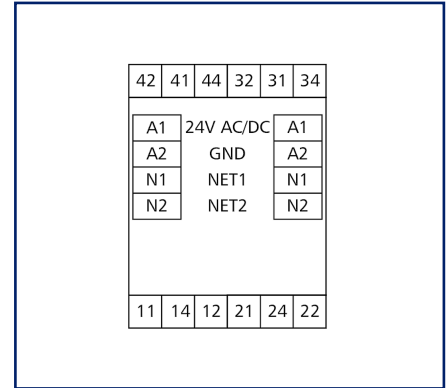
Illustrations



Principle diagram



Wiring diagram



See enlarged drawings at the end of document

Product specification

The LON module with 4 digital outputs was developed for decentralized switching tasks. It is suitable for switching electrical components, such as motors, contactors, lamps, louvers, etc. In this case it is necessary to protect the relay contacts by appropriate load-dependent measures. The outputs can be actuated by SNVT network variables. The module has a manual control activated only in configured mode. In addition, an adjustable wipe function is integrated. Suitable for decentralized mounting on DIN TH35 rail according to IEC 60715 in electrical distribution cabinets.

- Connection with screw type terminal blocks

Technical Data

Approvals



Open Energy Management Equipment 34TZ

RS485 interface

Protocol	TP/FT-10, free topology
Neuron	FT5000
Data format	Standard network variables (SNVT)
Transmission parameters	
Transmission rate	78 Kbit/s
Line topology	2700 m / 64 nodes
Free topology	500 m / 64 nodes
Cabling	Twisted Pair

Supply

Operating voltage	24 V AC/DC +/- 10 % (SELV)
Power consumption	
Power consumption AC (max.)	205 mA
Power consumption DC (max.)	67 mA
Duty cycle relative	100 %
Recovery time	550 ms

Outputs

Digital outputs	4
Relay output	4 changeover contacts
Switching voltage relay output (max.)	250 V AC
Continuous current relay output	5 A / relay
Total current across all outputs	12 A
Switching frequency	360 switching cycles/h
Mechanical life	1.5x10 ⁷ switching cycles
Electrical life	1.5x10 ⁵ switching cycles
Protection	5 A

Technical Data

Insulation coil - contact set	
Nominal voltage of the power supply system	230 / 400 V AC
Overvoltage category	III II
Degree of pollution	2 2
Rated test voltage	4 kV 2.5 kV
Type of insulation	basic insulation reinforced insulation
Housing	
Dimensions	
Dimension (W x H x D)	35 mm x 69.3 mm x 60 mm
Dimension (W x H x D)	1.378 in. x 2.728 in. x 2.362 in.
Total depth with switch/plug	69 mm
Weight	104 g
Mounting style	Standard rail TH35
Mounting position	any
Apposition	The maximum quantity of LON modules connected side-by-side is limited to 15 or to a maximum power consumption of 2 Amps (AC or DC) per connection to the power supply. For any similar block of additional modules a separate connection to the power supply is necessary., without distance
Connection type	Screw type terminal blocks
Indicator	green and yellow LED
Terminal blocks	
Supply and bus	
Terminal block	4-pole
Solid wire (AWG)	max. 1.5 mm ² / max. 16 AWG
Stranded wire (AWG)	max. 1 mm ² / max. 18 AWG
Wire diameter	max. 1.4 mm - min. 0.3 mm
Module connection	
Wire cross section solid	0.2 mm ² - 2.5 mm ² / AWG 22-12
Wire cross section multi	0.25 mm ² - 2.5 mm ² / AWG 22-12
Wire cross section with wire ferrule	0.25 mm ² - 2.5 mm ² / AWG 22-12
Screw torque (max.)	0.5 Nm
Stripping length (min.)	8 mm
Circuit de protection	Polarity reversal protection for DC operating voltage

Technical Data

Material	
Material - Housing	Polyamid 6.6 V0
Color	gray
Material - Terminal block	Polyamid 6.6 V0
Material - Covers	Polycarbonat
REACH	compliant
REACH - substance (SVHC)	Lead / 7439-92-1
Protection category according to IEC 60529	
Protection category - housing (acc. to IEC 60529)	IP40
Protection category - terminal blocks (acc. to IEC 60529)	IP20
Temperature range	
Operating	
Temperature - Operating °C	-5 °C - 55 °C
Temperature - Operating °F	23 °F - 131 °F
Storage	
Temperature - Storage °C	-20 °C - 70 °C
Temperature - Storage °F	-4 °F - 158 °F
Classifications	
ETIM 7.0	EC001097
ETIM 8.0	EC001097
Software and additional documents	
Software and documentation	Further documentation is available for free download at www.metz-connect.com

© 2022 METZ CONNECT - Technische Änderungen vorbehalten! Subject to modifications! Sous réserve de modifications techniques!

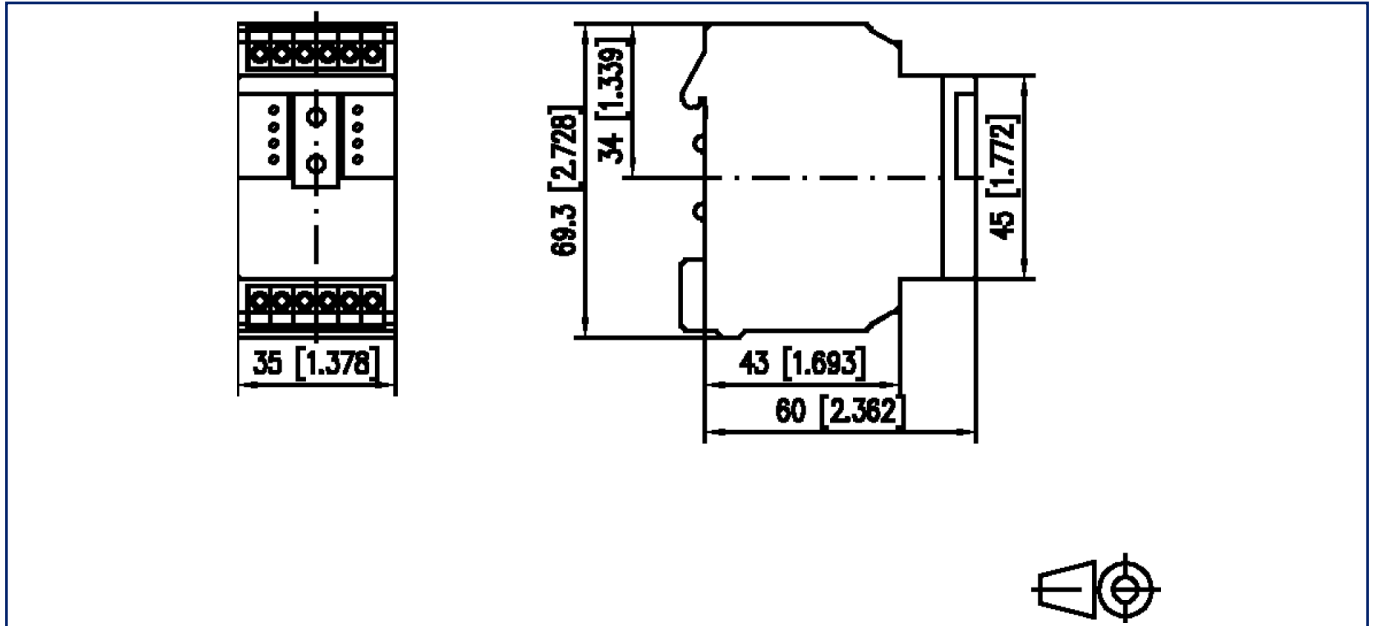
Accessories

P/N	Designation
110369	Terminal block Type 259
110486	HUB DC
110561	Power supply NG4 24 V DC
11087913	LF-FAM LON
31135104	Typ 135 RIACON 135_3.5

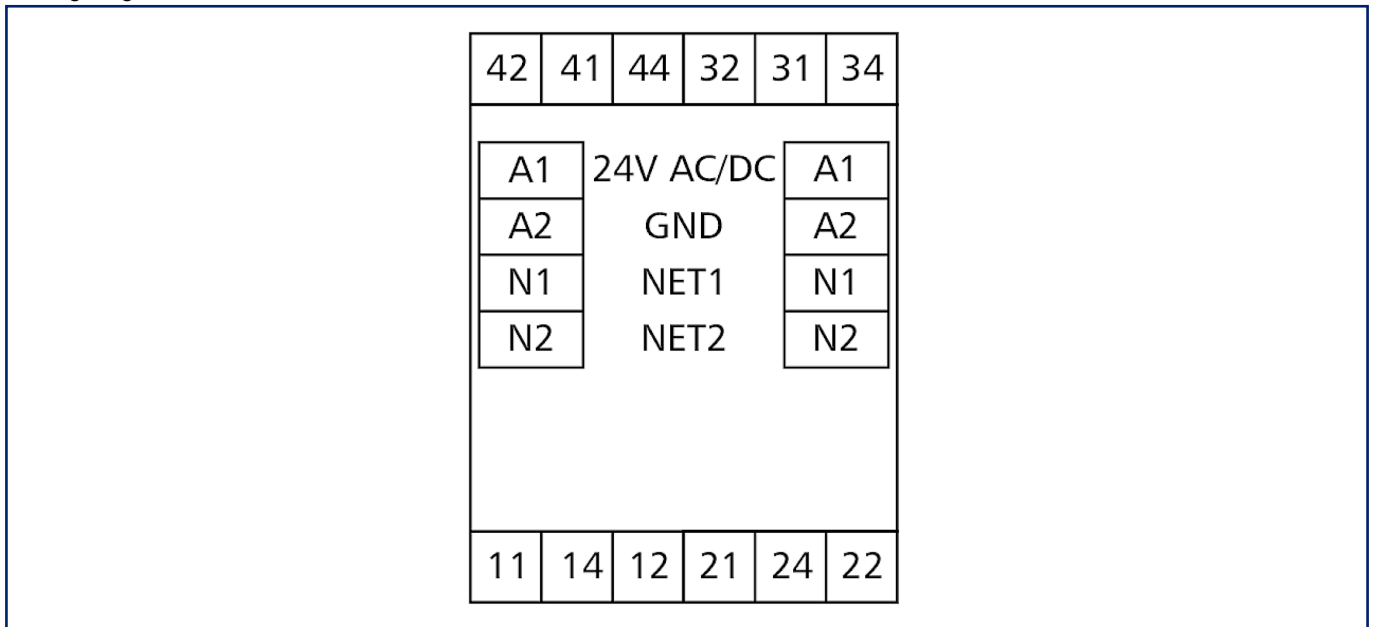


Illustrations

Dimensional drawing



Wiring diagram



Illustrations

Principle diagram

