

Data sheet

Modul wall outlet UP 2 port pure white unequipped

Page 1/7

P/N

1309151002-E

EAN 4250184105978

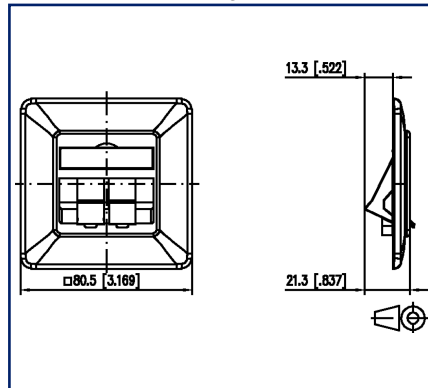
2022/07/14

Version: S

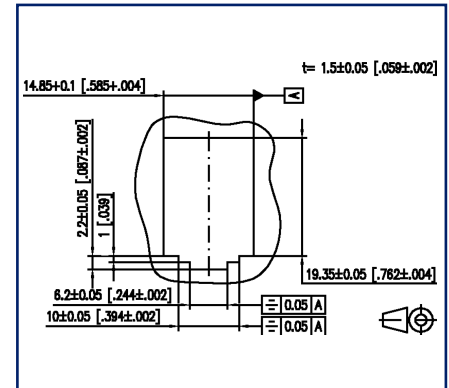
Illustrations



Dimensional drawing



Drill pattern



See enlarged drawings at the end of document

Product specification

- flush-mounted termination unit for individual modules in Modul design
- module plug direction 45° downwards
- strain relief on module
- with label window for enclosed identification labels
- label sheet 209 x 294 mm see accessory
- integrated dust protection covers (also colored)
- cover parts in pure white RAL 9010 or pearl white RAL 1013, structured surface with matt finish
- compatible with design central units of switch lines (note: 3 port central units at present only available from JUNG)
- variants: 1 port, 2 ports, 3 ports - color variants: pure white and pearl white

P | Cabling

Data sheet

Page 2/7

Modul wall outlet UP 2 port pure white unequipped

P/N

1309151002-E

EAN 4250184105978

2022/07/14

Version: S

Technical Data

General Data

Fields of application	office areas
Mechanical measurement according to MICE	M1
Ingress measurement according to MICE	I1
Climatic measurement according to MICE	C1
Electromagnetic measurement according to MICE	E3
Design	wall outlet
Mounting style	UP
Color	Pure white RAL 9010
Dimensions	
Dimension (L x W x H)	10.7 mm x 80.5 mm x 80.5 mm
Dimension (L x W x H)	0.421 in. x 3.169 in. x 3.169 in.
Modularity	yes
Labeling option	label window with identification label
Marking option	by dust protection

Connections/interfaces

Number of ports interface 2	2
Number of ports interface 2 equipped	0
Number of ports with dust protection interface 2	2
Module plug-in direction	45° downwards

Mechanical data

Cut-out	module
strain relief	attached to module

Materials and material properties

Material - Supporting frame	GD-Zn (zinc die-cast)
Material - Cover part(s)	ABS
Material - Label window	ABS, transparent
Material - Dust protection	ABS
Halogen free	yes
Silicone free	no paint wetting interfering substances (LaBS) in the process chain
LaBS Note	subsequent contamination possible due to handling and possible storage in your company



P | Cabling

Data sheet

Page 3/7

Modul wall outlet UP 2 port pure white unequipped

P/N

1309151002-E

EAN 4250184105978

2022/07/14

Version: S

Technical Data

Materials and material properties

RoHS	compliant
REACH	compliant

Standards/Regulations

Cover plates for installation devices 1	DIN 49075-1:1989-10
Cover plates for installation devices 2	DIN 49075-2:1989-10

Classifications

ETIM 5.0	EC001264
ETIM 6.0	EC001264
ETIM 7.0	EC001264
ETIM 8.0	EC001264

Packing details

Type of packaging	10 pc(s) / box
Packaging unit - Weight (gram)	599 g
Packaging unit - Weight (pound)	1.32 lb
Packaging dimension	235 mm x 165 mm x 135 mm
Packaging dimension	9.252 in. x 6.496 in. x 5.315 in.

Modul wall outlet UP 2 port pure white unequipped

P/N

1309151002-E

EAN 4250184105978

2022/07/14

Version: S

Accessories

P/N	Designation
130829-02-I	Surface mount frame 85 x 85 mm - Single, pure white
130829-4302-I	Surface mount frame 85 x 85 x 43 mm - single, pure white
1308895010-I	T-Slot mounting bracket for wall outlets - horizontal mounting 50 mm, without separation cup
1308895011-I	T-Slot mounting bracket for wall outlets - horizontal mounting 50 mm, with separation cup
1308895020-I	DIN Rail mounting bracket for wall outlets - horizontal mounting 50 mm, without separation cup
1308895021-I	DIN Rail mounting bracket for wall outlets - horizontal mounting 50 mm, with separation cup
1308895040-I	T-Slot mounting bracket for wall outlets - vertical mounting 50 mm, without separation cup
1308895041-I	T-Slot mounting bracket for wall outlets - vertical mounting 50 mm, with separation cup
1308895220-I	DIN rail mounting bracket for wall outlets - horizontal mounting 52 mm, without separation cup
1308895221-I	DIN rail mounting bracket for wall outlets - horizontal mounting 52 mm, with separation cup
1308895510-I	T-Slot mounting bracket for wall outlets - horizontal mounting 55 mm, without separation cup
1308895511-I	T-Slot mounting bracket for wall outlets - horizontal mounting 55 mm, with separation cup
1308895520-I	DIN rail mounting bracket for wall outlets - horizontal mounting 55 mm, without separation cup
1308895521-I	DIN rail mounting bracket for wall outlets - horizontal mounting 55 mm, with separation cup
1308895540-I	T-Slot mounting bracket for wall outlets - vertical mounting 55 mm, without separation cup
1308895541-I	T-Slot mounting bracket for wall outlets - vertical mounting 55 mm, with separation cup
130889ADTK-I	Mounting bracket ADTK for OBO
130889ADTSA-I	Mounting bracket ADTSA for OBO
130889FKH-I	Mounting bracket FR for Kleinhuis
130889FNI-I	Mounting bracket FR for Niedax
130889FTE-I	Mounting bracket FR for Tehalit
130910-I	E-DAT modul Cat.6 _A 8(8) jack, T568A
130910-I-B1	E-DAT modul Cat.6 _A 8(8) jack, T568B
130910-Z	E-DAT modul Cat.6 _A 8(8) jack, T568A (12 pcs)

P | Cabling

Data sheet

Page 5/7

Modul wall outlet UP 2 port pure white unequipped

P/N

1309151002-E

EAN 4250184105978

2022/07/14

Version: S

Accessories

1309A0-I	E-DAT modul coupler 8(8) 180° class E _A
130B11-E	C6 _A modul 180° jack
820394-0105-I	Dust protection covers for wall outlets yellow
820394-0106-I	Dust protection covers for wall outlets blue
820394-0107-I	Dust protection covers for wall outlets green
820394-0108-I	Dust protection covers for wall outlets red
820395-0102-I	Cover plate 80 x 80 mm, pure white, module
899650-01	Label sheet for wall outlets



P | Cabling

Data sheet

Page 6/7

Modul wall outlet UP 2 port pure white unequipped

P/N

1309151002-E

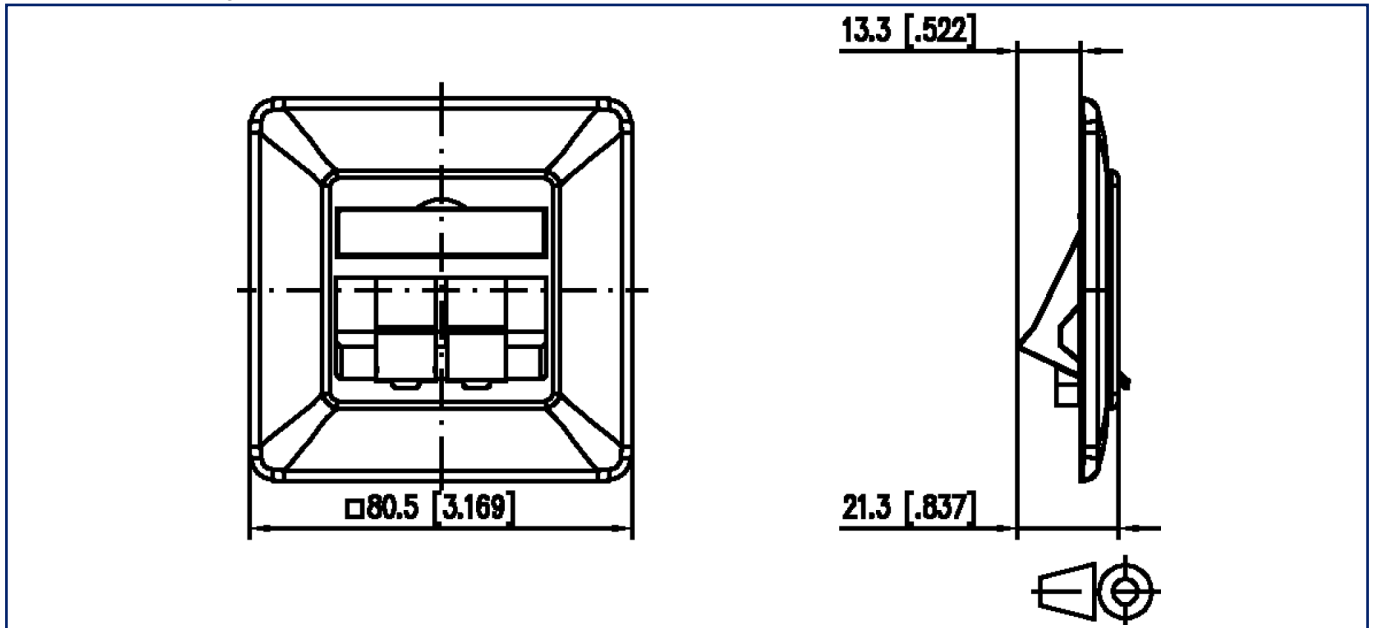
EAN 4250184105978

2022/07/14

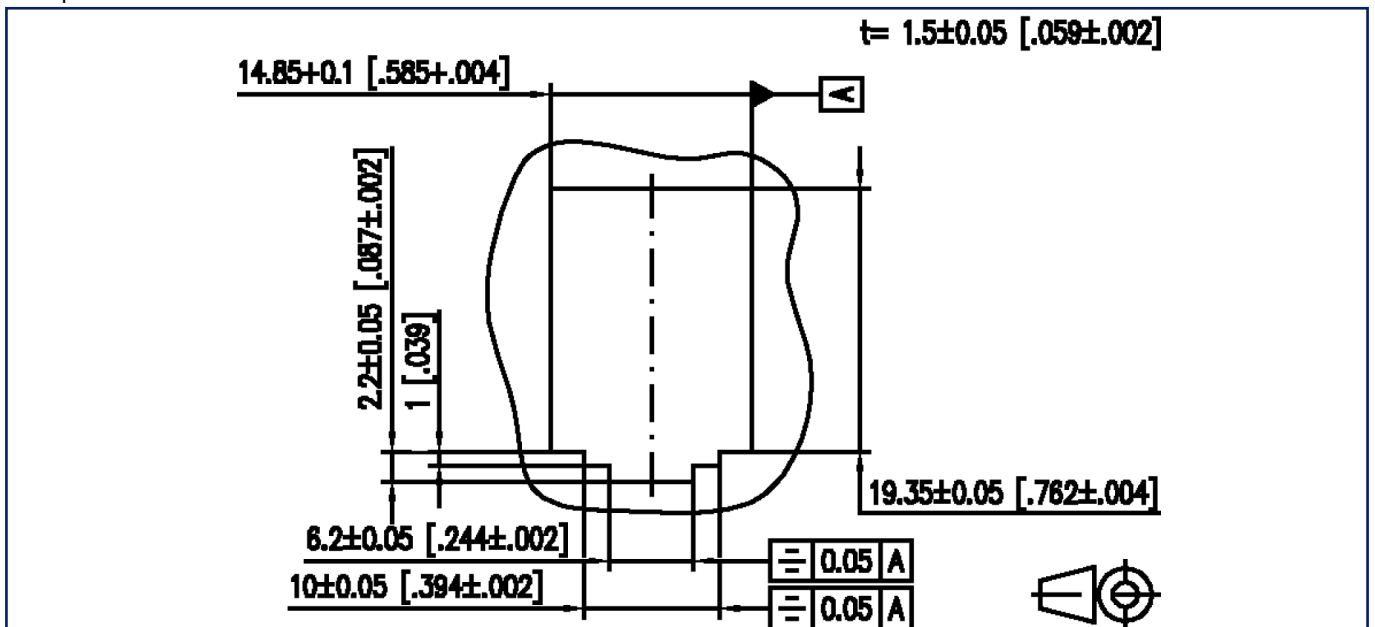
Version: S

Illustrations

Dimensional drawing



Drill pattern



© 2022 METZ CONNECT - Technische Änderungen vorbehalten! Subject to modifications! Sous réserve de modifications techniques!

