

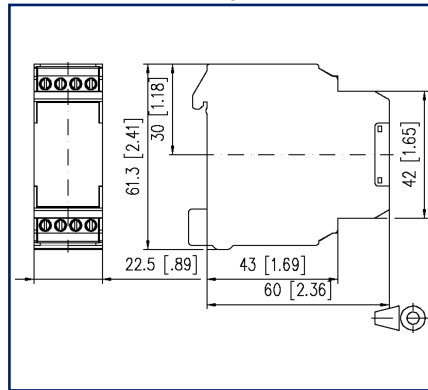
# Data sheet

## KRS-E08 HRP 24 V AC/DC

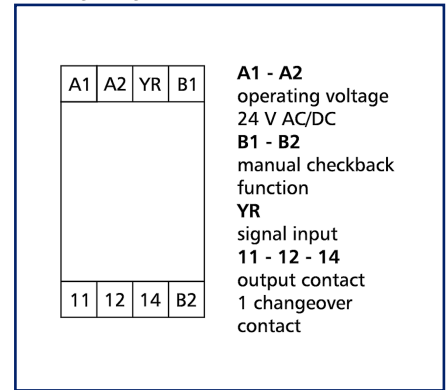
### Illustrations



Dimensional drawing



Wiring diagram



See enlarged drawings at the end of document

### Product specification

The threshold gate switches units, pumps, fans, burners, etc. As soon as the input voltage reaches the switching threshold, the relay is activated. When the input voltage falls below the switch-off threshold, the relay is released again.

- Connection with screw type terminal blocks
- with manual control level
- adjustable switch-on voltage and hysteresis

### Technical Data

Supply	
Operating voltage	24 V AC/DC -10% ... +10%
Power consumption AC (max.)	80 mA
Power consumption DC (max.)	16 mA
Duty cycle relative	100 %
Response time typical	20 ms
Release time typical	20 ms
Manual control level	
Mechanical life	3x10 <sup>4</sup> switchings
Switching capacity (max.)	24 V AC/DC / 1 A
Inputs	
Threshold voltage adjustable	1 ... 10 V DC
Hysteresis adjustable	5 ... 75 %
Switch-off voltage	2.5 V DC
Power consumption	
Power consumption at 10 V DC	1 mA
Outputs	
Contacts	1 changeover contact
Contact material	AgSnO <sub>2</sub>
Switching voltage (max.)	250 V AC
Continuous Current	6 A
Switching frequency	1200 switching cycles/h
Breaking capacity (resistive load)	
Mechanical life	1x10 <sup>7</sup> switching cycles
Electrical life	1x10 <sup>5</sup> switching cycles
Indicator	green LED
Insulation coil - contact set	
Nominal voltage of the power supply system	230 / 400 V AC
Overvoltage category	III   II
Degree of pollution	2   2
Rated test voltage	4 kV   2.5 kV
Type of insulation	basic insulation   reinforced insulation

### Technical Data

Housing	
Dimensions	
Dimension (W x H x D)	22.5 mm x 61.3 mm x 60 mm
Dimension (W x H x D)	0.886 in. x 2.413 in. x 2.362 in.
Weight	70 g
Mounting style	Standard rail TH35
Mounting position	any
Apposition	without distance
Connection type	Screw type terminal blocks
Terminal blocks	
Wire cross section solid	0.2 mm <sup>2</sup> - 2.5 mm <sup>2</sup> / AWG 22-12
Wire cross section multi	0.25 mm <sup>2</sup> - 2.5 mm <sup>2</sup> / AWG 22-12
Wire cross section with wire ferrule	0.25 mm <sup>2</sup> - 2.5 mm <sup>2</sup> / AWG 22-12
Screw torque (max.)	0.5 Nm
Stripping length (min.)	8 mm
Material	
Material - Housing	Polyamid 6.6 V0
Color	gray
Material - Terminal block	Polyamid 6.6 V0
Material - Covers	Polyamid 6.6 V0
REACH	compliant
REACH - substance (SVHC)	Lead / 7439-92-1
Protection category according to IEC 60529	
Protection category - housing (acc. to IEC 60529)	IP40
Protection category - terminal blocks (acc. to IEC 60529)	IP20
Temperature range	
Operating	
Temperature - Operating °C	-10 °C - 50 °C
Temperature - Operating °F	14 °F - 122 °F
Storage	
Temperature - Storage °C	-25 °C - 70 °C
Temperature - Storage °F	-13 °F - 158 °F

## Technical Data

### Power loss

Power loss (typical) 1.2 W

### Classifications

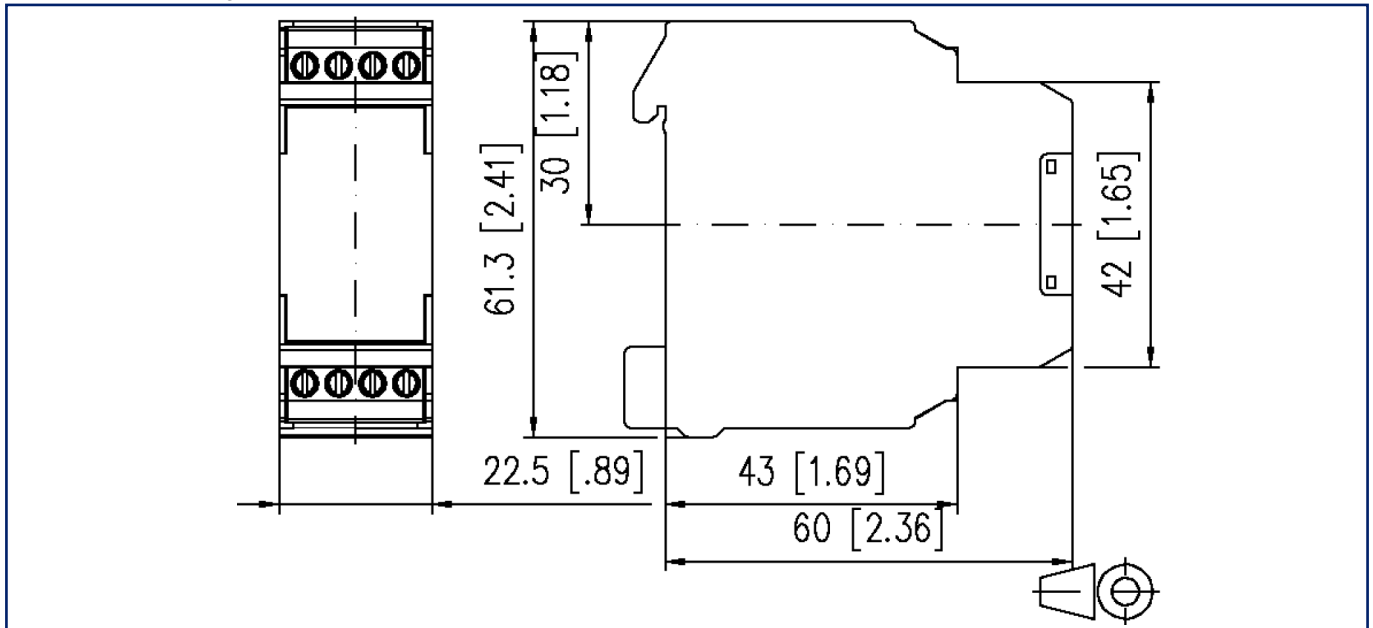
ETIM 6.0 EC000310

ETIM 7.0 EC001437

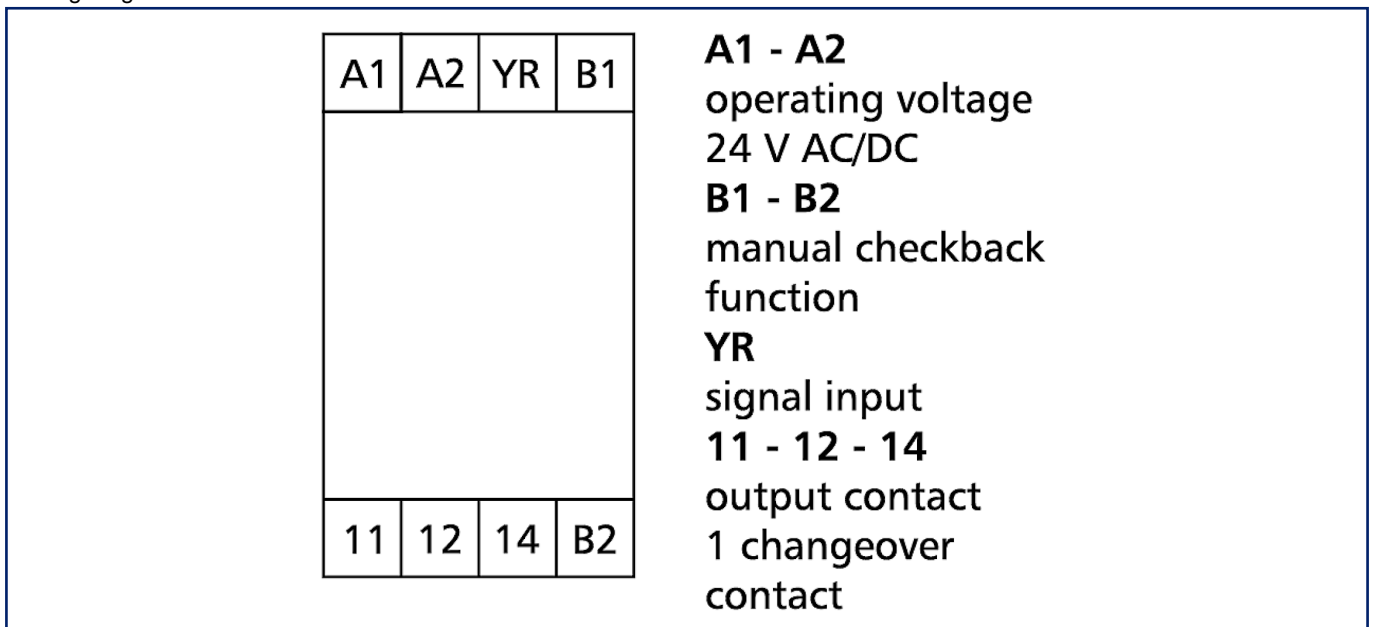
ETIM 8.0 EC001437

### Illustrations

Dimensional drawing

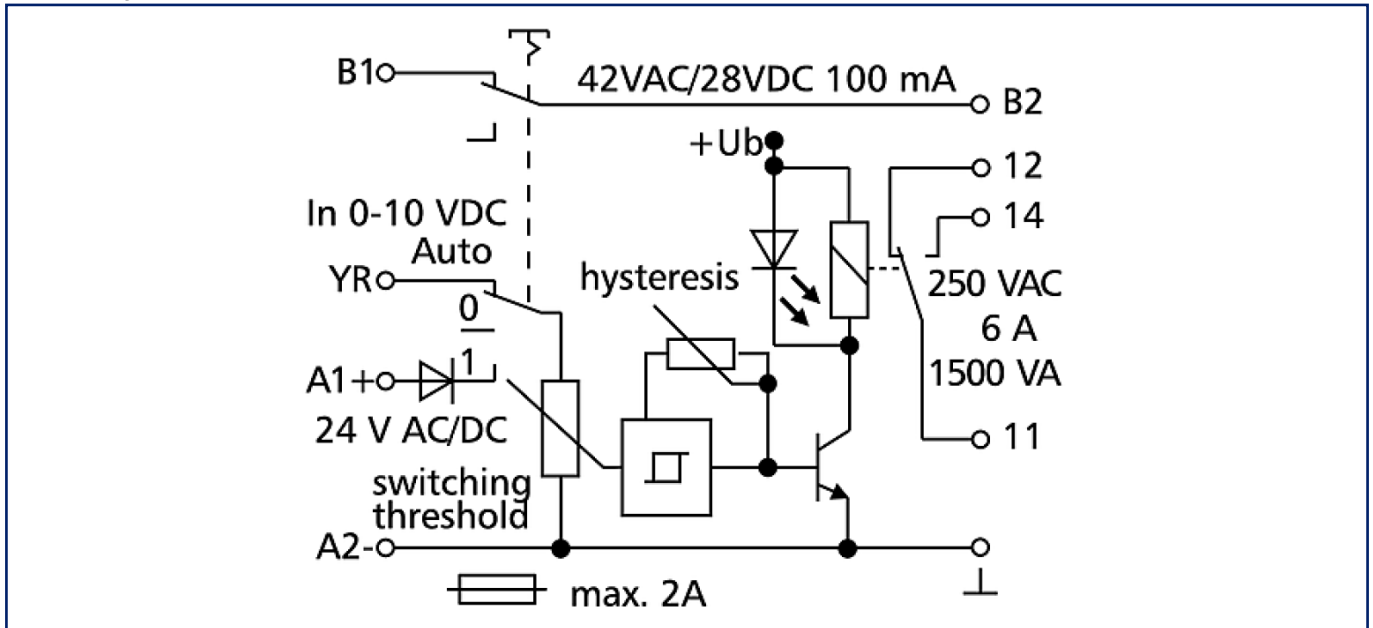


Wiring diagram

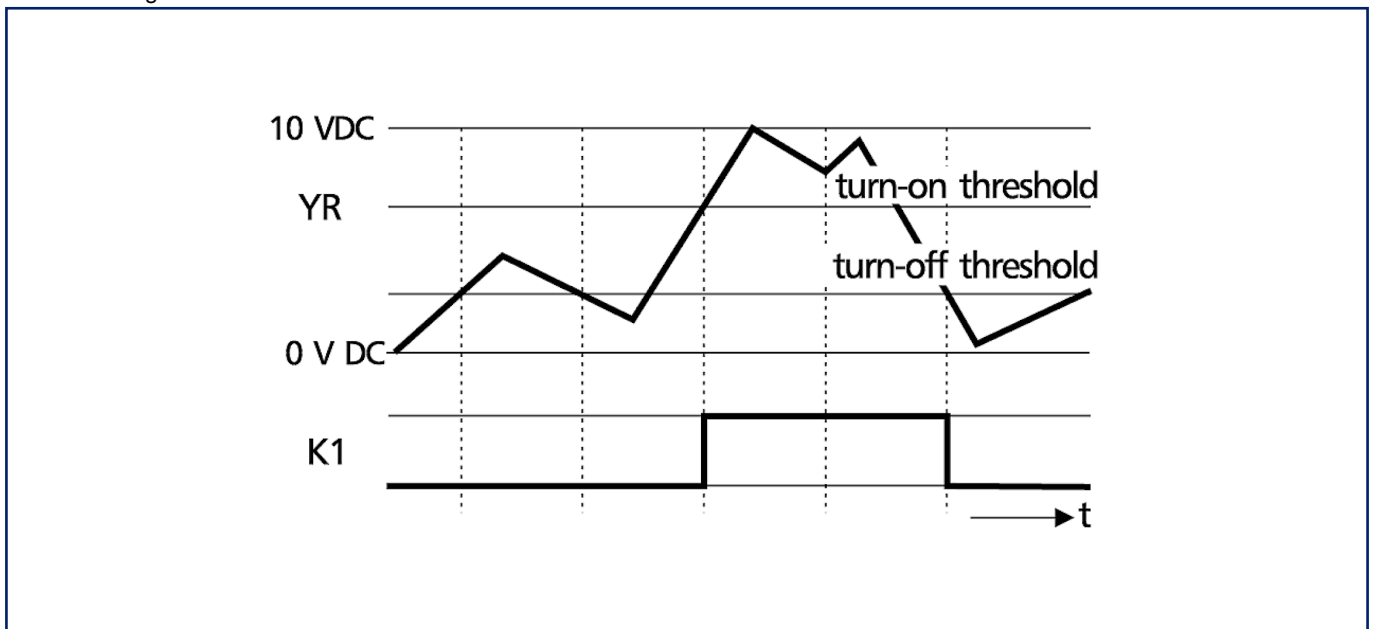


**Illustrations**

Circuit diagram



Function diagram



© 2022 METZ CONNECT - Technische Änderungen vorbehalten! Subject to modifications! Sous réserve de modifications techniques!