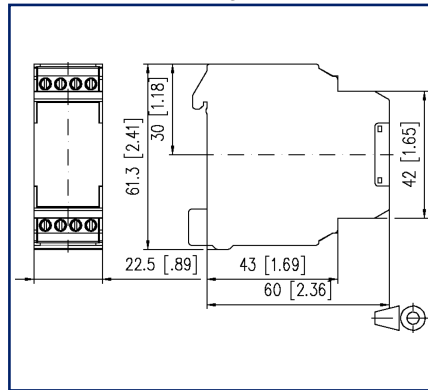


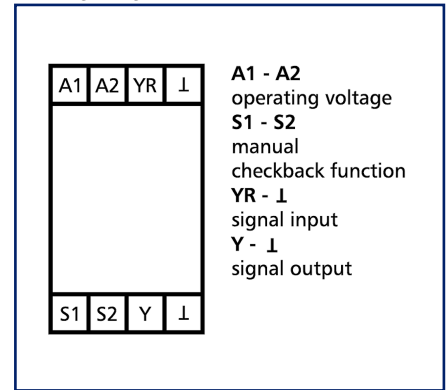
Illustrations



Dimensional drawing



Wiring diagram



See enlarged drawings at the end of document

Product specification

The analog encoder is used as encoder for manual control variable definition, e.g. mixing valves, valve positions, temperature values, etc. The module can be operated in two modes, which can be commuted by means of integrated two-level switches (HAND, AUTO). The switch position is signaled by external control contact terminals S1 and S2. The control variable can be set on the potentiometer at the front. The output signal 0 to 10 V is available on the Y terminal. If the switch is in AUTO position, the control variable is looped through over the YR terminal to the Y output without change.

- Setpoint device
- Manual control level with checkback
- LED brightness proportional to control variable

Technical Data

Supply	
Operating voltage	24 V AC/DC -15% ... +20%
Power consumption AC (max.)	24 mA
Power consumption DC (max.)	19 mA
Manual control level	
Mechanical life	3x10 ⁴ switchings
Switching capacity (max.)	24 V AC/DC / 1 A
Inputs	
Voltage input (YR)	0 - 10 V DC
Outputs	
Voltage output (Y)	0 - 10 V DC
Output current (max.) switch position "MANU"	10 mA
Switch AUTO/ON	shortcircuit proof
Indicator	red LED
Housing	
Dimensions	
Dimension (W x H x D)	22.5 mm x 61.3 mm x 60 mm
Dimension (W x H x D)	0.886 in. x 2.413 in. x 2.362 in.
Weight	70 g
Mounting style	Standard rail TH35
Mounting position	any
Apposition	without distance
Connection type	Screw type terminal blocks
Terminal blocks	
Wire cross section solid	0.34 mm ² - 2.5 mm ² / AWG 22-12
Wire cross section multi	0.34 mm ² - 2.5 mm ² / AWG 22-12
Wire cross section with wire ferrule	0.34 mm ² - 2.5 mm ² / AWG 22-12
Screw torque (max.)	0.5 Nm
Stripping length (min.)	8 mm

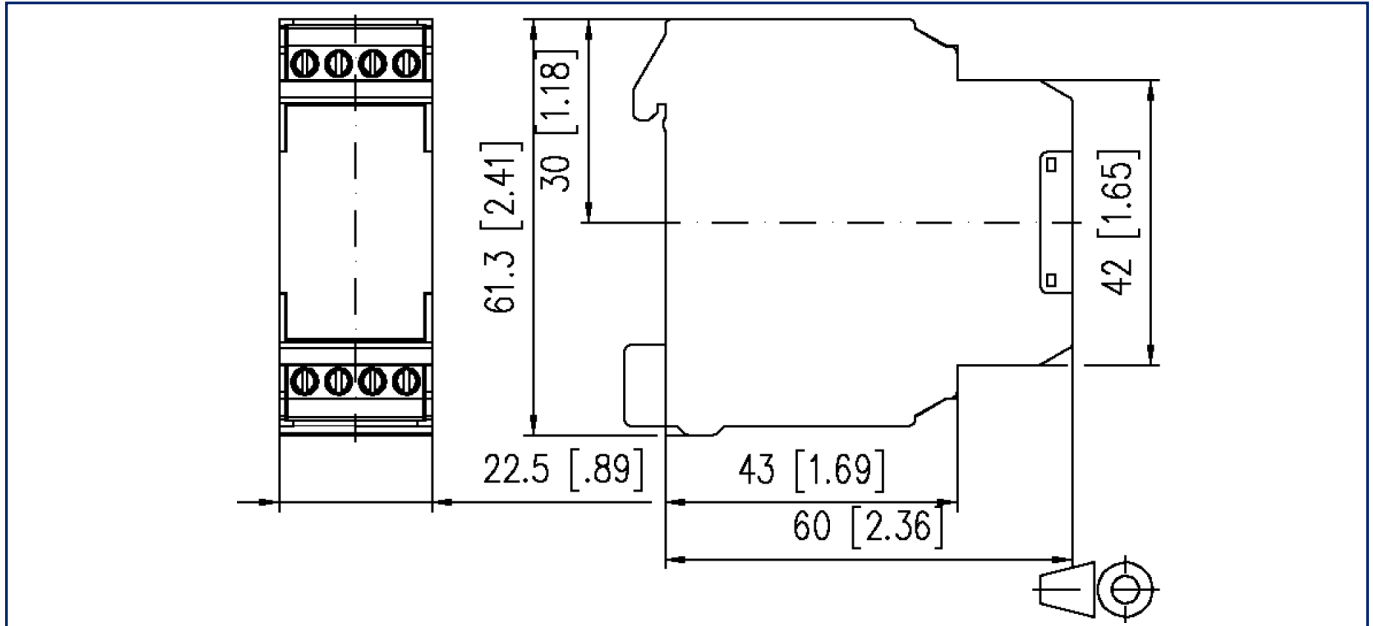


Technical Data

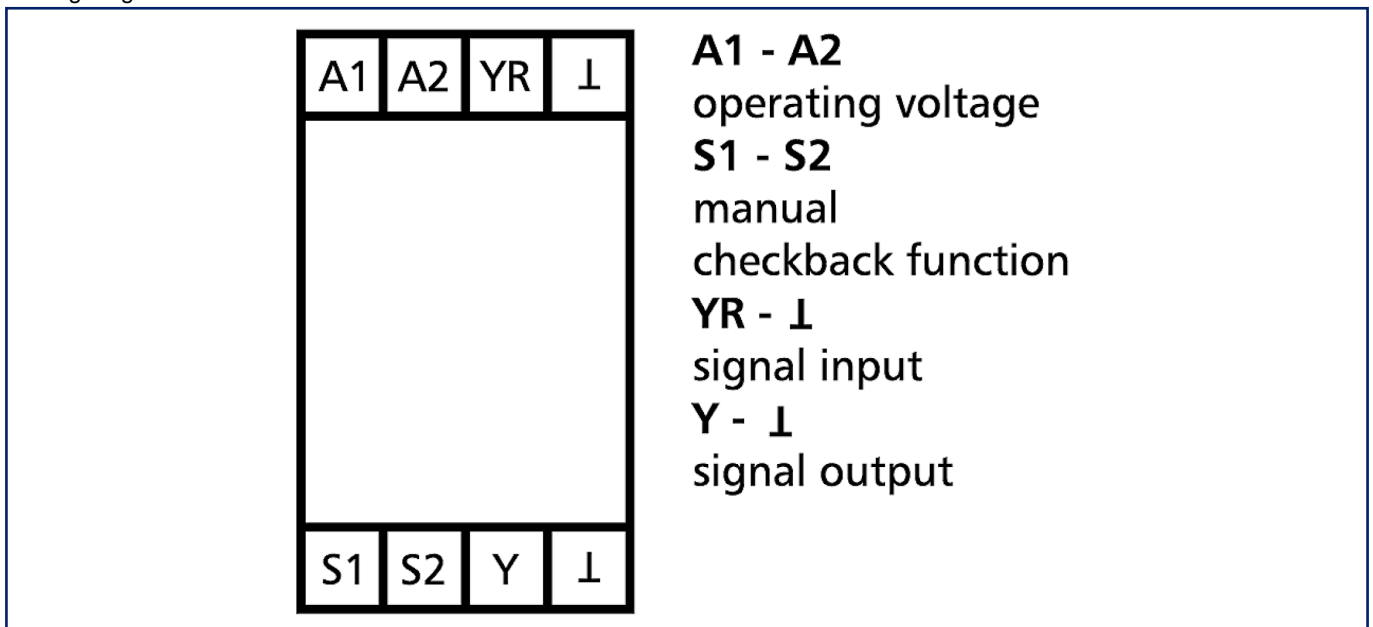
Material	
Material - Housing	Polyamid 6.6 V0
Color	gray
Material - Terminal block	Polyamid 6.6 V0
REACH	compliant
REACH - substance (SVHC)	Lead / 7439-92-1
Protection category according to IEC 60529	
Protection category - housing (acc. to IEC 60529)	IP40
Protection category - terminal blocks (acc. to IEC 60529)	IP20
Temperature range	
Operating	
Temperature - Operating °C	-10 °C - 50 °C
Temperature - Operating °F	14 °F - 122 °F
Storage	
Temperature - Storage °C	-25 °C - 70 °C
Temperature - Storage °F	-13 °F - 158 °F
Power loss	
Power loss (typical) during 24 V DC operation	390 mW
Power loss (typical) during 24 V AC operation	520 mW
Classifications	
ETIM 7.0	EC000310
ETIM 8.0	EC000310

Illustrations

Dimensional drawing

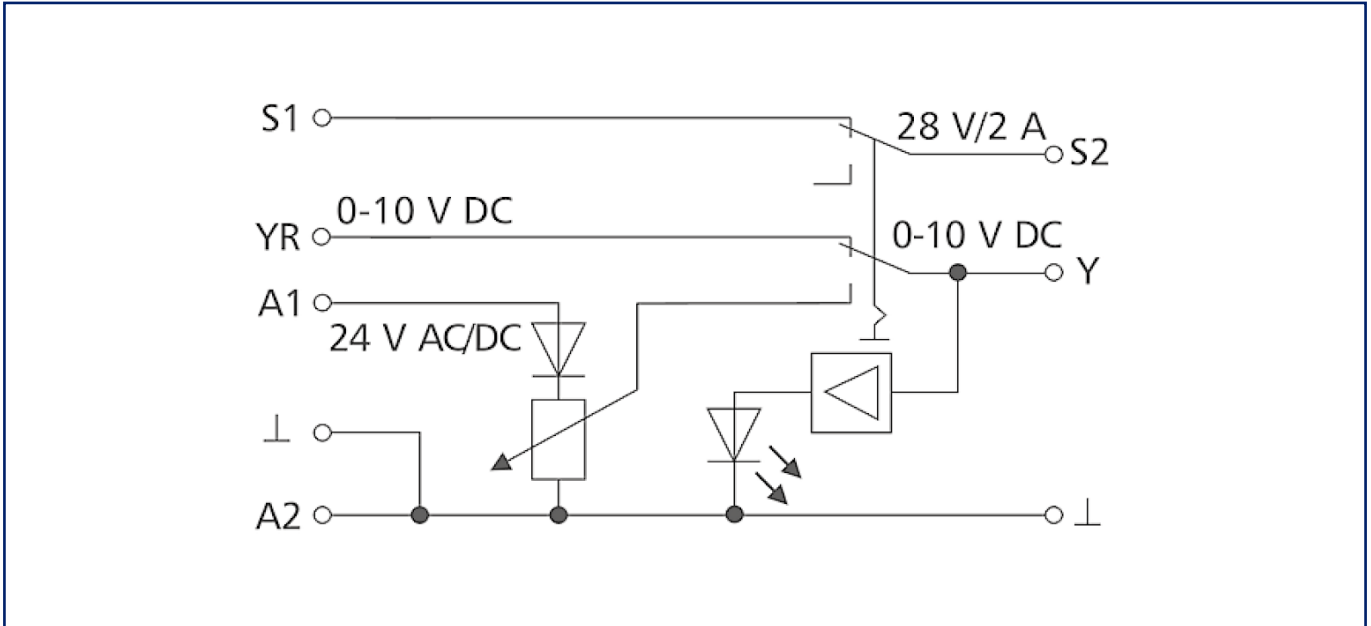


Wiring diagram



Illustrations

Circuit diagram



© 2022 METZ CONNECT - Technische Änderungen vorbehalten! Subject to modifications! Sous réserve de modifications techniques!