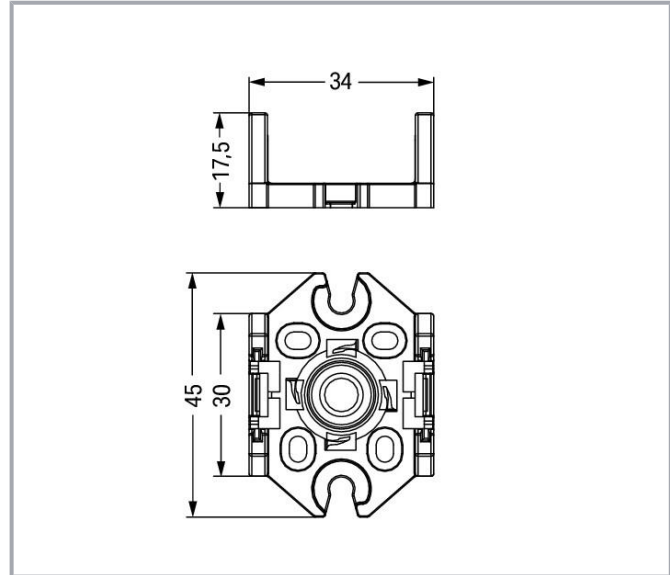


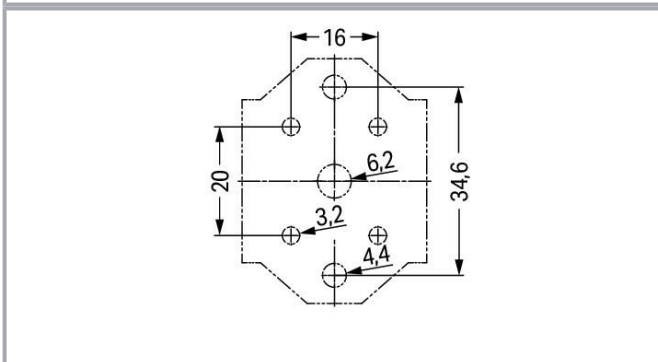
Data sheet | Item number: 770-623

Mounting plate; 3-pole; for distribution connectors; Plastic; black

[www.wago.com/770-623](http://www.wago.com/770-623)



Color: ■



## Item description

### Mounting accessories WINSTA® MIDI 3-pole

Choose proven sustainability for the electrical installation at your construction site: The mounting accessories from the WINSTA® MIDI product line. A comprehensive range of accessories complements the WINSTA® product line from WAGO. The WINSTA® MIDI Pluggable Connection System with

Subject to changes. Please also observe the further product documentation!

WAGO Private Limited  
NH No. 8, Block No. 94 Vadsala,  
Block No. 1187 Varnama, Village Varnama / Vadsala  
Ta. & Distt. Vadodara, Vadodara, Gujarat-391243  
Phone: +91-265-6812100 | Email: [info.india@wago.com](mailto:info.india@wago.com)

Do you have any questions about our products?  
We are always happy to take your call at +49 (571) 887-44222.



Push-in CAGE CLAMP® spring pressure connection technology facilitates exemplary electrification. Due to the included test slot, connections can be checked even when they are plugged in. That saves time and reduces installation labor and costs.

## Lower costs through fast commissioning and elimination of service expenses – solutions from WINSTA® MIDI

WINSTA® is the pluggable connection system that is optimally tailored to the strict requirements of electrical installation. It offers fast, secure and, above all, error-free installation of components and cables. Now you can also cut installation costs without compromising safety and quality: The WINSTA® MIDI accessory reduces the need for servicing and prevents unnecessary downtime.

- pre-assembled versions
- quick replacement of defective units during ongoing operation

### Data

#### Connection data

##### Connection 1

Pole No.	3
----------	---

#### Mechanical data

Mounting type	Screw mounting
Suitable	for distribution connectors (except T-distribution connectors); 3-pole

#### Material data

Note on material data	Information on material data can be found here
Color	black
Insulation material	Polyamide (PA66)
Flammability class per UL94	V0
Fire load	0.147 MJ
Weight	4.6 g

#### Environmental requirements

Processing temperature	-5 ... +40 °C
Continuous operating temperature	-35 ... +85 °C
Note on continuous operating temperature	Insulating parts for temperatures ≤ 105 °C

Subject to changes. Please also observe the further product documentation!

WAGO Private Limited  
NH No. 8, Block No. 94 Vadsala,  
Block No. 1187 Varnama, Village Varnama / Vadsala  
Ta. & Distt. Vadodara, Vadodara, Gujarat-391243  
Phone: +91-265-6812100 | Email: [info.india@wago.com](mailto:info.india@wago.com)



Do you have any questions about our products?  
We are always happy to take your call at +49 (571) 887-44222.

## Commercial data

Product Group	20 (WINSTA)
PU (SPU)	25 Stück
Packaging type	box
Country of origin	DE
GTIN	4017332755382
Customs tariff number	39269097900

## Optional accessories

### Mounting

Mounting accessories		
	<b>Item no.: 890-601</b> Fixing pin; 6 mm Ø, for 1.0 ... 2.5 mm mounting plates; Plastic; black	<a href="http://www.wago.com/890-601">www.wago.com/890-601</a>
	<b>Item no.: 770-601</b> Fixing pin; 6 mm Ø, for 1.0 ... 2.5 mm mounting plates; Plastic; black	<a href="http://www.wago.com/770-601">www.wago.com/770-601</a>

## Downloads

### Documentation

#### Bid Text

770-623 X81 - Datei	Feb 19, 2019	xml 2.6 kB	Download
770-623 doc - Datei	Jan 14, 2015	doc 23.0 kB	Download
ausschreiben.de 770-623		URL	Download

## CAD/CAE-Data

### CAD data

2D/3D Models 770-623	URL	Download
----------------------	-----	----------

### CAE data

WSCAD Universe 770-623	URL	Download
------------------------	-----	----------

### 7I IKN Portal 770-623

Subject to changes. Please also observe the further product documentation!



[URL](#)

[Download](#)

---

## Environmental Product Compliance

### Compliance Search

Environmental Product Compliance 770-623

[URL](#)

[Download](#)

Mounting plate; 3-pole; for distribution connectors; Plastic; black

---

## Installation Notes

## Product family

**WINSTA® MIDI**

[Show all products from the family](#)

Subject to changes. Please also observe the further product documentation!