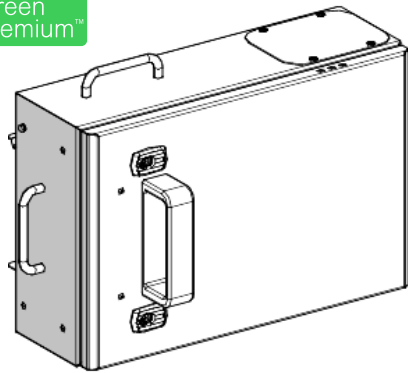


Product data sheet

Specifications



TAP OFF UNIT 160A FUSE T00

KSB160SE4

Main

Range of product	Canalis
Range compatibility	KT busbar trunking KS busbar trunking
Product or component type	Tap-off unit
Busbar trunking compatibility	Canalis KS busbar trunking plug-in Canalis KT busbar trunking with KS type plug-in
[Ie] rated operational current	160 A at 35 °C
Protection type	fuse isolator: for aM blade type fuse, size 00 - 160 A conforming to NF fuse isolator: for gG blade type fuse, size 00 - 160 A conforming to NF
Provided equipment	fuse to be ordered separately
Mounting mode	Plug-in with fixed polarity
Tap-off unit polarity	3L+N+PE
Colour	White (RAL 9001)

Complementary

Device application	Medium power distribution
[Ue] rated operational voltage	230...690 V depending on protective device
[Uimp] rated impulse withstand voltage	6.8 kV
[Ui] rated insulation voltage	690 V depending on protective device
Network frequency	50/60 Hz
Electrical connection	Copper cable lug - ISO63 70 mm ² flexible Copper cable lug - ISO63 70 mm ² rigid
Door/Cover opening side	Right
Tap-off unit disconnection mode	By opening the door
Standards	IEC 61439-1 IEC 61439-6
Body material	Metal
Width	482 mm
Depth	207 mm
Depth (door open)	577.5 mm
Height	332 mm

Net weight	11 kg
------------	-------

Environment

Earthing system	TT TN-S IT
IP degree of protection	IP55 conforming to IEC 60529
IK degree of protection	IK08 conforming to IEC 62262

Packing Units

Unit Type of Package 1	PCE
Number of Units in Package 1	1
Package 1 Weight	9.6 kg
Package 1 Height	26 cm
Package 1 width	34 cm
Package 1 Length	49 cm
Unit Type of Package 2	P12
Number of Units in Package 2	8
Package 2 Weight	93.0 kg
Package 2 Height	71 cm
Package 2 width	80 cm
Package 2 Length	120 cm

Offer Sustainability

Sustainable offer status	Green Premium product
REACH Regulation	REACH Declaration
REACH free of SVHC	Yes
EU RoHS Directive	Compliant EU RoHS Declaration
Toxic heavy metal free	Yes
Mercury free	Yes
RoHS exemption information	Yes
China RoHS Regulation	China RoHS declaration Pro-active China RoHS declaration (out of China RoHS legal scope)
Environmental Disclosure	Product Environmental Profile
WEEE	The product must be disposed on European Union markets following specific waste collection and never end up in rubbish bins

Contractual warranty

Warranty	18 months
----------	-----------