

ESY-Pen

Item number **GTIN**
 EP10425356 4015120425356



Product description

- All-in-one device for four core functions: (1) Parameterisation, (2) Remote control, (3) Light measurement, (4) Mobile project management
- Compatible with all smart devices (iOS, Android) using Bluetooth
- Backwards-compatible with all current remotely controlled ESYLUX presence and motion detectors and emergency lights/controls

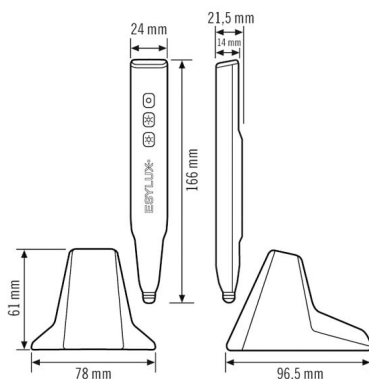
Technical data

GENERAL	
Device category	Remote control
Conformity	CE, EAC, SundaHus, RoHS, WEEE
Product-specific information	With ESY-Pen and ESY-App: (1) Parameterisation, (2) remote control, (3) light measurement, (4) project management
Warranty	3 years

ATTACHMENT	
Connectable wire cross section	0.75 – 2.5 mm ²

HOUSING	
Dimensions	Length 166 mm x Width 24 mm x Height/Depth 21.5 mm
Weight	232 g
Material	UV-resistant plastic
Protection type	IP20
Colour	Black

Dimension drawing



ESY-Pen

Item number	GTIN
EP10425356	4015120425356

Detailed product description

- All-in-one device (remote control) for four core functions: (1) Parameterisation, (2) Remote control, (3) Light measurement, (4) Mobile project management
- Fast and easy commissioning of complex light controls
- Easy to operate for any user
- Independent of physical hardware interfaces thanks to Bluetooth
- Compatible with all smart devices (iOS, Android)
- Backwards-compatible with all current remotely controlled ESYLUX presence and motion detectors and emergency lights/controls
- Can be used as a table-top device for individual light measurement / light control
- Also suitable for operation of smartphones/tablets
- Easy management of settings in project libraries