

## Data sheet

### E-DAT Industry IP67 V6 surface mount housing, 1 port Cat.6<sub>A</sub> - E-DAT modul

Page 1/7

P/N

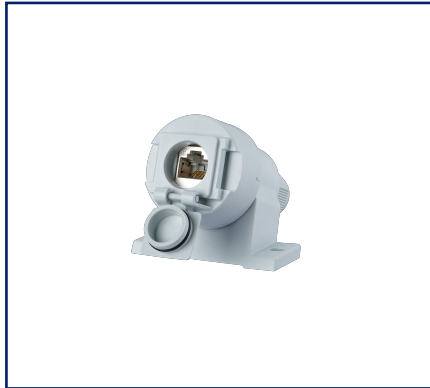
1309410003-E

EAN 4250184106517

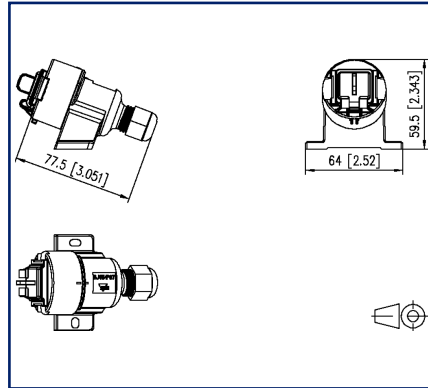
2022/10/11

Version: AF

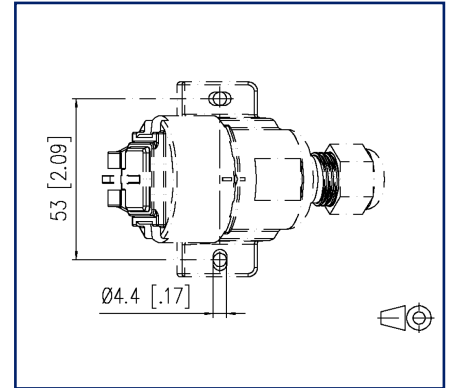
## Illustrations



Dimensional drawing



Drill pattern



See enlarged drawings at the end of document

## Product specification

- RJ45 termination unit E-DAT modul in flange housing to ISO/IEC 24702 and IEC 61076-3-106 var. 6
- component testing for Cat.6<sub>A</sub> to ISO/IEC 11801 Ed.2.2:2011-06, DIN EN 50173-1:2011-09, TIA/EIA-568-C.2 (2009-08) and IEC 60603-7-51 Ed.1 (12/2008), certified to GHMT
- compliance with class E to ISO/IEC 11801 Ed.2.2:2011-06, DIN EN 50173-1:2011-09
- suitable for 10 GBit Ethernet (IEEE 802.3an), Remote Powering (PoE, PoE plus, UPoE and 4PPoE) and HDBaseT
- easy to install connection of 2 to 4 pair data lines AWG 26/1 - 22/1 and stranded wires with 7 copper conductors AWG 26/7 - 22/7 to BTR 8-fold insulation displacement connectors (IDC)
- marking of conductor assignment to T568A or T568B
- complies with ingress protection IP67 when plugged in
- plug face pursuant to IEC 61076-3-106 (Variant 6)
- large 360° shield contact
- possible surface-mounting in series (AP)
- connection of RJ45 plugs available on the market (no IP protection)
- easy, time-saving mounting
- color: light gray RAL 7035

# P | Cabling

Data sheet

Page 2/7

## E-DAT Industry IP67 V6 surface mount housing, 1 port Cat.6<sub>A</sub> - E-DAT modul

P/N

1309410003-E

EAN 4250184106517

2022/10/11

Version: AF

### Technical Data

#### General Data

Fields of application	office areas harsh environment
Mechanical measurement according to MICE	M1
Ingress measurement according to MICE	I1
Climatic measurement according to MICE	C1
Electromagnetic measurement according to MICE	E2
Design	wall outlet
Mounting style	AP
Shielding	shielded
Transmission technology	Copper
Wiring	T568A
Color protective housing	light gray
Dimensions	
Dimension (L x W x H)	77.5 mm x 64 mm x 59.5 mm
Dimension (L x W x H)	3.051 in. x 2.52 in. x 2.343 in.

#### Transmission characteristics

Category (ISO)	6 <sub>A</sub>
Class (ISO/IEC)	E <sub>A</sub>
Category (TIA)	6A
Remote Powering	yes
PoE	IEEE 802.3af
PoE plus	IEEE 802.3at
UPoE	yes
4PPoE	IEEE 802.3bt
HDBaseT	yes
Transmission rate up to 10 GBit	IEEE 802.3an



## E-DAT Industry IP67 V6 surface mount housing, 1 port Cat.6<sub>A</sub> - E-DAT modul

P/N  
1309410003-E  
EAN 4250184106517  
2022/10/11  
Version: AF

### Technical Data

Connections/interfaces	
Connector technology interface 1	IDC-connection
Connector technology interface 2	RJ45-jack
Number of ports interface 2	1
Number of ports interface 2 equipped	1
Number of positions/contacts interface 1	8
Number of positions/contacts interface 2	8P/8C
Protective housing interface 1	V6
Protective housing interface 2	V6
Termination data, solid wire (min. - max.)	
Conductor cross section, solid wire	AWG 26/1 - AWG 22/1
Conductor cross section, solid wire	0.128 mm <sup>2</sup> - 0.324 mm <sup>2</sup>
Conductor diameter, solid wire (bare copper)	0.409 mm - 0.643 mm
Conductor diameter, solid wire (bare copper)	0.016 in. - 0.025 in.
Termination data, stranded wire (min. - max.)	
Conductor cross section, stranded wire	AWG 26/7 - AWG 22/7
Conductor cross section, stranded wire	0.141 mm <sup>2</sup> - 0.355 mm <sup>2</sup>
Conductor diameter, stranded wire (bare copper)	0.483 mm - 0.762 mm
Conductor diameter, stranded wire (bare copper)	0.019 in. - 0.03 in.
Elektrische/ Optische Eigenschaften	
Current carrying capacity	max. 1 A
Rated voltage	max. 50 V
Contact resistance	max. 20 mOhm
Through resistance	max. 200 mOhm
Insulation resistance	min. 500 MOhm
Dielectric strength conductor-conductor (secondary)	min. 1000 V DC
Mechanical data	
Insertion and withdrawal force	max. 30 N
Position/mounting of latch standard installation position	top

# P | Cabling

Data sheet

Page 4/7

## E-DAT Industry IP67 V6 surface mount housing, 1 port Cat.6<sub>A</sub> - E-DAT modul

P/N

1309410003-E

EAN 4250184106517

2022/10/11

Version: AF

### Technical Data

#### Materials and material properties

Material - Housing	GD-Zn (zinc die-cast)
Material - Protective housing	PA UL94 V0
Material - Contact	CuSn (tin bronze)
Material - Contact finish	Ni + Au (nickel-gold)
Material - Contact carriers	PA 6.6
Material - Finish of insulation displacement contacts	Sn (tin)
Material - Finish	Ni (nickel)
Material - Cable gland	PA (polyamide)
Material - Protective housing seal	NBR (nitrile butadiene rubber)
Material - Cap nut	PA (polyamide)
Material - Protective cap	PA UL94 V0
RoHS	compliant
REACH	compliant

#### Environmental conditions

Temperature (min. - max.)	
Temperature - Storage °C	-40 °C - 70 °C
Temperature - Storage °F	-40 °F - 158 °F
Temperature - Operating °C	-40 °C - 70 °C
Temperature - Operating °F	-40 °F - 158 °F
Particulate ingress	IP6X
Liquid ingress/immersion	IPX7
Rapid change of temperature	-40°C / -40°F - +70°C / 158°F / 25 cycles t=30 min

#### Certifications

GHMT Type Approval



Component



# P | Cabling

Data sheet

Page 5/7

## E-DAT Industry IP67 V6 surface mount housing, 1 port Cat.6<sub>A</sub> - E-DAT modul

P/N

1309410003-E

EAN 4250184106517

2022/10/11

Version: AF

### Technical Data

#### Approvals

UL listed (file no.)



DUXR.E178484

#### Standards/Regulations

##### Generic cabling systems

General requirements

ANSI/TIA-568

Industrial area

ISO/IEC 24702 | DIN EN 50173-3  
ANSI/TIA-1005

##### Connectors for electronic equipment

Free and fixed connectors

DIN EN 60603-7-51:2011-01

##### Connectors for electronic equipment - Tests and measurements

Test standard for connectors (engaging and separating connectors under electrical load)

DIN-EN 60512-99-001, Pg. UEL1

Endurance tests

IEC 60512-9-3: 03-2009

##### Degrees of Protection Provided by Enclosures

IEC 60529

##### Interference proof

Immunity for industrial environments

DIN EN 61000-6-2:2006-03

##### Climate tests

IEC 60512-11

#### Classifications

ETIM 5.0

EC002597

ETIM 6.0

EC002597

ETIM 7.0

EC002597

ETIM 8.0

EC002597

#### Packing details

Type of packaging

1 pc(s) / plastic bag

Packaging unit - Weight (gram)

94 g

Packaging unit - Weight (pound)

0.21 lb

Packaging dimension

160 mm x 100 mm x 380 mm

Packaging dimension

6.299 in. x 3.937 in. x 14.961 in.

# P | Cabling

Data sheet

Page 6/7

## E-DAT Industry IP67 V6 surface mount housing, 1 port Cat.6<sub>A</sub> - E-DAT modul

P/N

1309410003-E

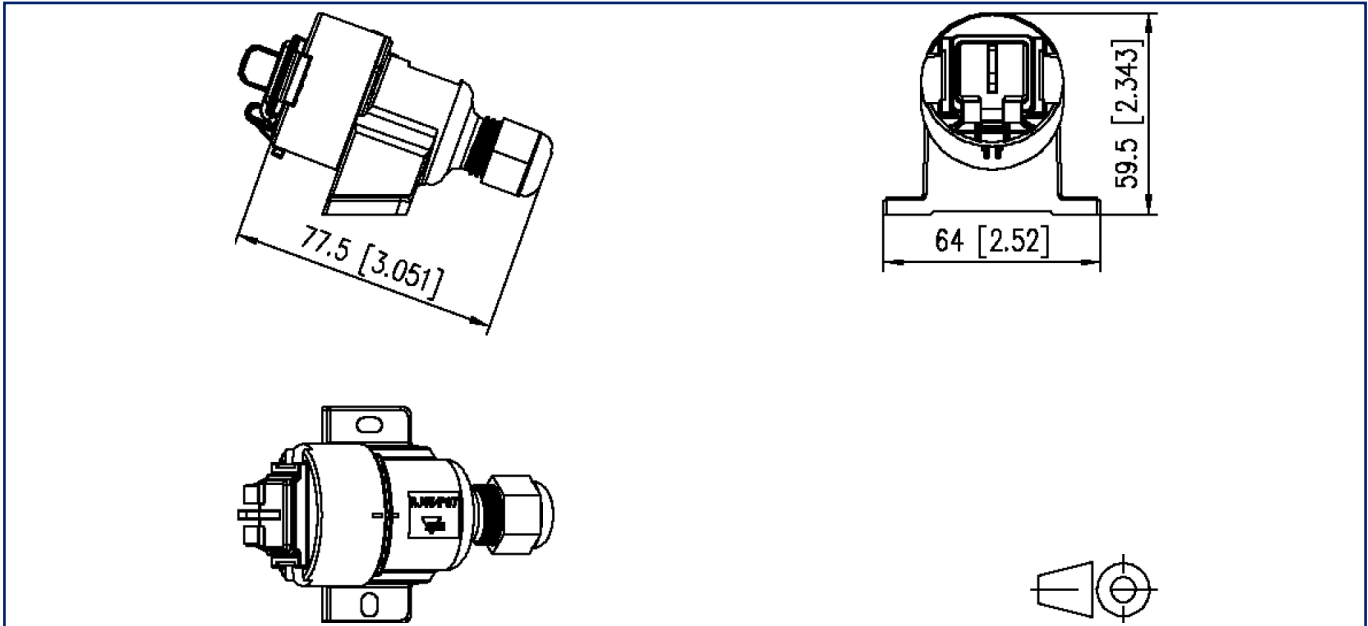
EAN 4250184106517

2022/10/11

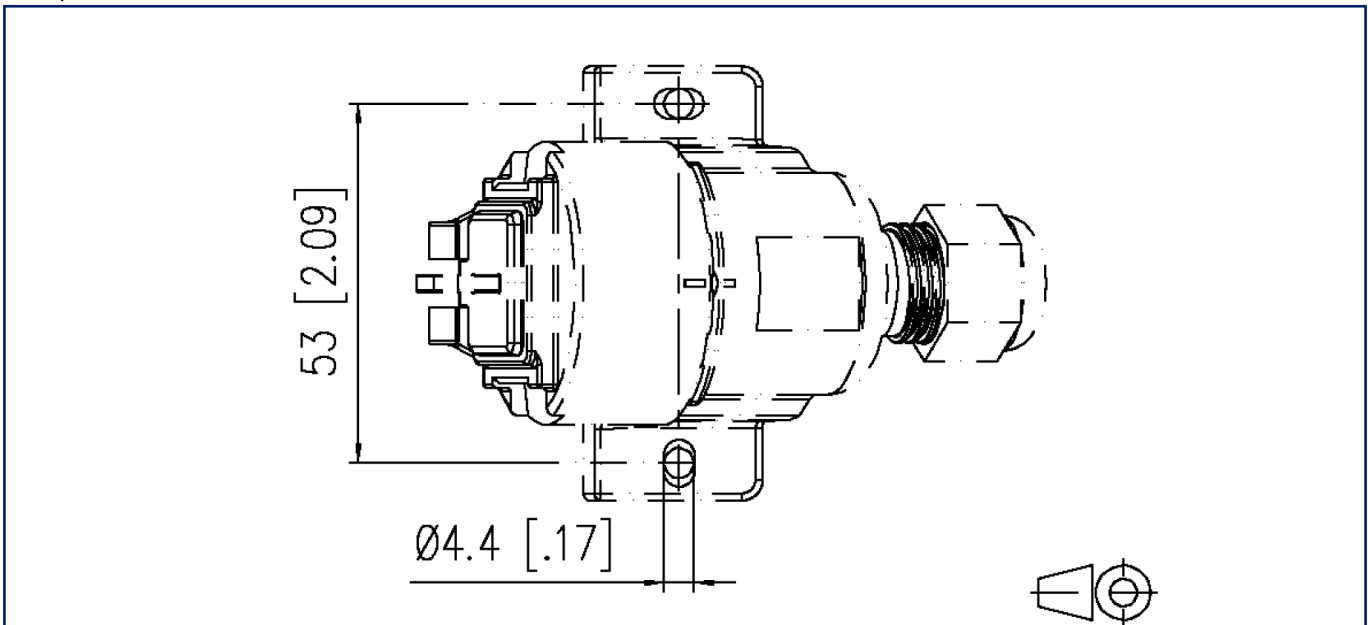
Version: AF

### Illustrations

Dimensional drawing



Drill pattern



© 2022 METZ CONNECT - Technische Änderungen vorbehalten! Subject to modifications! Sous réserve de modifications techniques!



# P | Cabling

Data sheet

## E-DAT Industry IP67 V6 surface mount housing, 1 port Cat.6<sub>A</sub> - E-DAT modul

Page 7/7

P/N

1309410003-E

EAN 4250184106517

2022/10/11

Version: AF

### Illustrations

Wiring diagram

