

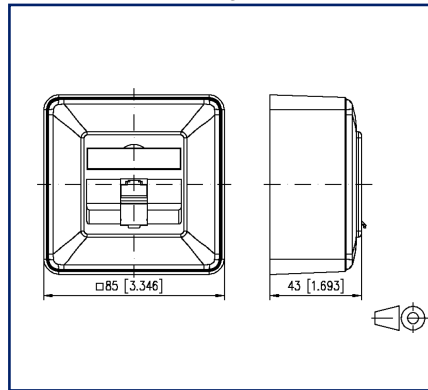
## Data sheet

### E-DAT C6<sub>A</sub> 1 port AP pure white

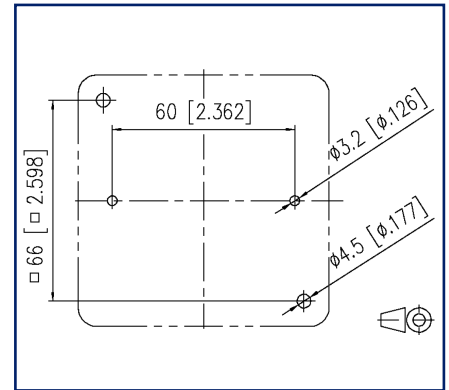
## Illustrations



Dimensional drawing



Drill pattern



See enlarged drawings at the end of document

## Product specification

Compact wall outlet for the construction of a passive network infrastructure with the highest quality requirements. The junction box is suitable for connecting telephones up to 10 Gbit networks and power supply with PoE with up to 90W. The installer can connect the very robust zinc die-cast wall outlet very easily and in the shortest possible time with an LSA installation tool without errors. In addition to the permanent quality control during production, independent test laboratories confirm the very good quality with various certificates. The wall outlets are supplied in retail-friendly, separable cardboard packaging with 10 pieces each.

- variants, mounting type: AP, UP, UPk, UP0
- variants, number of ports: 1, 2

# P | Cabling

## Data sheet E-DAT C6<sub>A</sub> 1 port AP pure white

Page 2/9

P/N  
130C370002-I  
EAN 4250184116141  
2022/07/19  
Version: AJ

### Technical Data

#### General Data

Fields of application	Distributed building services
Mechanical measurement according to MICE	M1
Ingress measurement according to MICE	I1
Climatic measurement according to MICE	C1
Electromagnetic measurement according to MICE	E2
Design	wall outlet
Mounting style	AP
Mounting in standard flush-mounted and cavity wall cups	on mug
Shielding	shielded
Transmission technology	Copper
Wiring	T568A, T568B
Color	Pure white RAL 9010
Dimensions	
Dimension (L x W x H)	43 mm x 85 mm x 85 mm
Dimension (L x W x H)	1.693 in. x 3.346 in. x 3.346 in.
Labeling option	label window with identification label
Marking option	by dust protection

#### Transmission characteristics

Category (ISO)	6 <sub>A</sub>
Class (ISO/IEC)	E <sub>A</sub>
Category (TIA)	6A
Remote Powering	yes
PoE	IEEE 802.3af
PoE plus	IEEE 802.3at
UPoE	yes
4PPoE	IEEE 802.3bt
HDBaseT	yes
SAT-IP	yes
AVoverIP	yes
Transmission rate up to 100 MBit (Fast Ethernet)	IEEE 802.3bw
Transmission rate up to 1 GBit (Fast Ethernet)	IEEE 802.3ab

# P | Cabling

Data sheet

Page 3/9

## E-DAT C6<sub>A</sub> 1 port AP pure white

P/N

130C370002-I

EAN 4250184116141

2022/07/19

Version: AJ

### Technical Data

#### Transmission characteristics

Transmission rate up to 10 GBit IEEE 802.3an

#### Connections/interfaces

Connector technology interface 1 LSA terminal block

Connector technology interface 2 RJ45-jack

Number of ports interface 2 1

Number of positions/contacts interface 1 8

Number of positions/contacts interface 2 8P/8C

Number of ports with dust protection interface 2 1

Termination data, solid wire (min. - max.)

Conductor cross section, solid wire AWG 26/1 - AWG 22/1

Conductor cross section, solid wire 0.128 mm<sup>2</sup> - 0.324 mm<sup>2</sup>

Conductor diameter, solid wire (bare copper) 0.409 mm - 0.643 mm

Conductor diameter, solid wire (bare copper) 0.016 in. - 0.025 in.

Cable sheath diameter (min. - max.)

Cable sheath diameter 5.5 mm - 10

Cable sheath diameter 0.197 in. - 0.394

Module plug-in direction 45° downwards

Cable access/outlet rear, top, bottom, left or right

Ground connection 6.3 mm flat plug

Shield connection flexible contact spring

#### Elektrische/ Optische Eigenschaften

Current carrying capacity max. 1 A at 60 °C

Rated voltage max. 60 V DC

Contact resistance max. 20 mOhm

Through resistance max. 200 mOhm

Insulation resistance min. 500 MOhm

Dielectric strength conductor-conductor (secondary) max. 1000 V DC

Dielectric strength conductor-conductor, peak value (secondary) max. 1.000 V AC

Dielectric strength conductor-shield max. 1500 V DC

Dielectric strength conductor-shield, peak value max. 1500 V AC

# P | Cabling

Data sheet

Page 4/9

## E-DAT C6<sub>A</sub> 1 port AP pure white

P/N

130C370002-I

EAN 4250184116141

2022/07/19

Version: AJ

### Technical Data

#### Mechanical data

Insertion and withdrawal force	max. 30 N
Life - Number of mating cycles	min. 750
Position/mounting of latch standard installation position	top
strain relief	housing flap

#### Materials and material properties

Material - Housing	Plastics
Material - Surface mount frame	ABS, impact resistant
Material - Cover part(s)	ABS
Material - Supporting frame	GD-Zn (zinc die-cast)
Material - Label window	ABS, transparent
Material - Dust protection	ABS
Material - Contact	Hyper Ph-Br
Material - Contact finish	AuCo
Material - Shield	CuSn6
Material - Shield finish	tinned
Halogen free	yes
Silicone free	no paint wetting interfering substances (LaBS) in the process chain
LaBS Note	subsequent contamination possible due to handling and possible storage in your company
RoHS	compliant
REACH	compliant

#### Environmental conditions

Temperature (min. - max.)	
Temperature - Storage °C	-40 °C - 70 °C
Temperature - Storage °F	-40 °F - 158 °F
Temperature - Operating °C	-40 °C - 70 °C
Temperature - Operating °F	-40 °F - 158 °F
IP class	IP20



# P | Cabling

## Data sheet E-DAT C6<sub>A</sub> 1 port AP pure white

Page 5/9

P/N  
130C370002-I  
EAN 4250184116141  
2022/07/19  
Version: AJ

### Technical Data

#### Certifications

GHMT Type Approval



Component

#### Standards/Regulations

Generic cabling systems

General requirements ISO/IEC 11801-1:2017-11 | DIN EN 50173-1:2018-10  
ANSI/TIA-568.2-D

Office buildings ISO/IEC 11801-2:2017-11 | DIN EN 50173-2:2018-10  
ANSI/TIA-568.2-D

Living units ISO/IEC 11801-4:2017-11 | DIN EN 50173-4:2018-10  
ANSI/TIA-570-D

Distributed building services ISO/IEC 11801-6:2017-11 | DIN EN 50173-6:2018-10  
ANSI/TIA-862-B

Connectors for electronic equipment

Free and fixed connectors DIN EN 60603-7-51:2011-01, DIN EN 60603-7:2019-11, DIN EN  
60603-7-1:2012-01

Connectors for electronic equipment - Tests and measurements

Test standard for connectors (engaging and separating connectors under electrical load) DIN-EN 60512-99-001, DIN-EN 60512-99-002

Endurance tests DIN EN 60603-7:2019-11, DIN EN 60603-7-1:2012-01

Degrees of Protection Provided by Enclosures IEC 60529

Climate tests DIN EN 60603-7:2019-11, DIN EN 60603-7-1:2012-01

#### Classifications

ETIM 5.0 EC001264

ETIM 6.0 EC001264

ETIM 7.0 EC001264

ETIM 8.0 EC001264

#### Packing details

Type of packaging 10 pc(s) / box

Packaging unit - Weight (gram) 2035 g

Packaging unit - Weight (pound) 4.49 lb

Packaging dimension 283 mm x 180 mm x 85 mm

Packaging dimension 11.142 in. x 7.087 in. x 3.346 in.

# P | Cabling

Data sheet

Page 6/9

## E-DAT C6<sub>A</sub> 1 port AP pure white

P/N

130C370002-I

EAN 4250184116141

2022/07/19

Version: AJ

### Accessories

P/N	Designation
130829-02-I	Surface mount frame 85 x 85 mm - Single, pure white
816718-0102-I	Cover plate 80 x 80 mm pure white, E-DAT C6
820394-0105-I	Dust protection covers for wall outlets yellow
820394-0106-I	Dust protection covers for wall outlets blue
820394-0107-I	Dust protection covers for wall outlets green
820394-0108-I	Dust protection covers for wall outlets red
899650-01	Label sheet for wall outlets



# P | Cabling

Data sheet

**E-DAT C6<sub>A</sub> 1 port AP pure white**

Page 7/9

P/N

130C370002-I

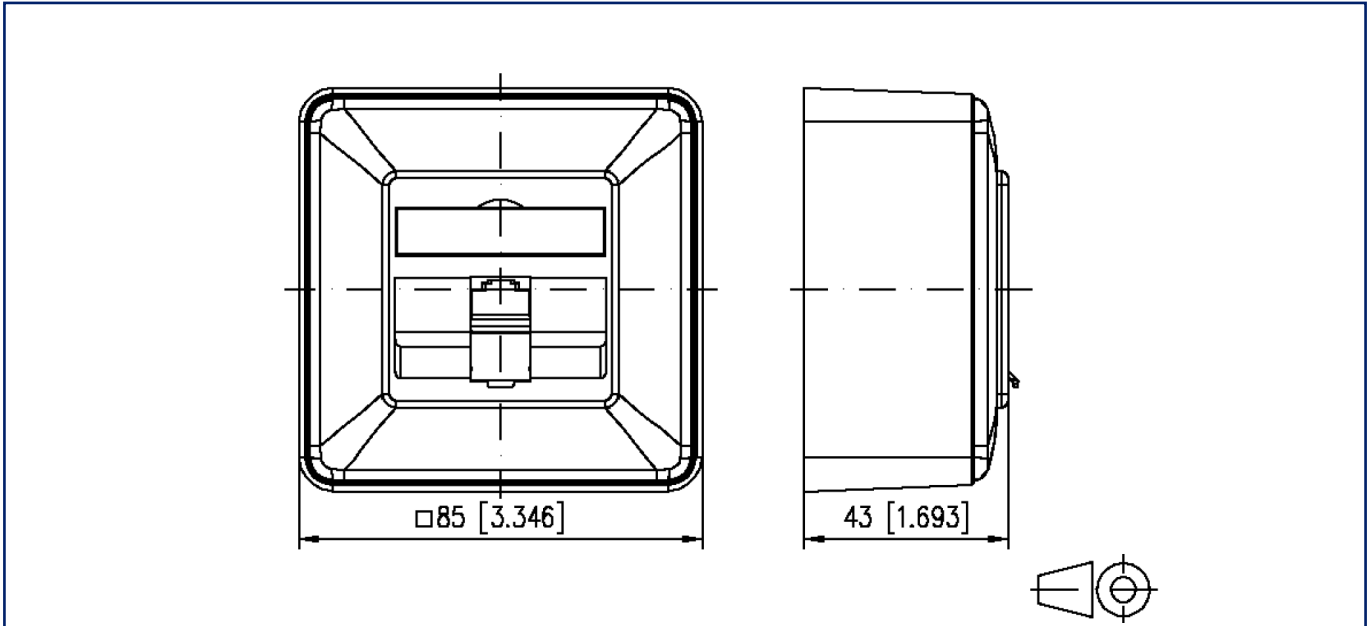
EAN 4250184116141

2022/07/19

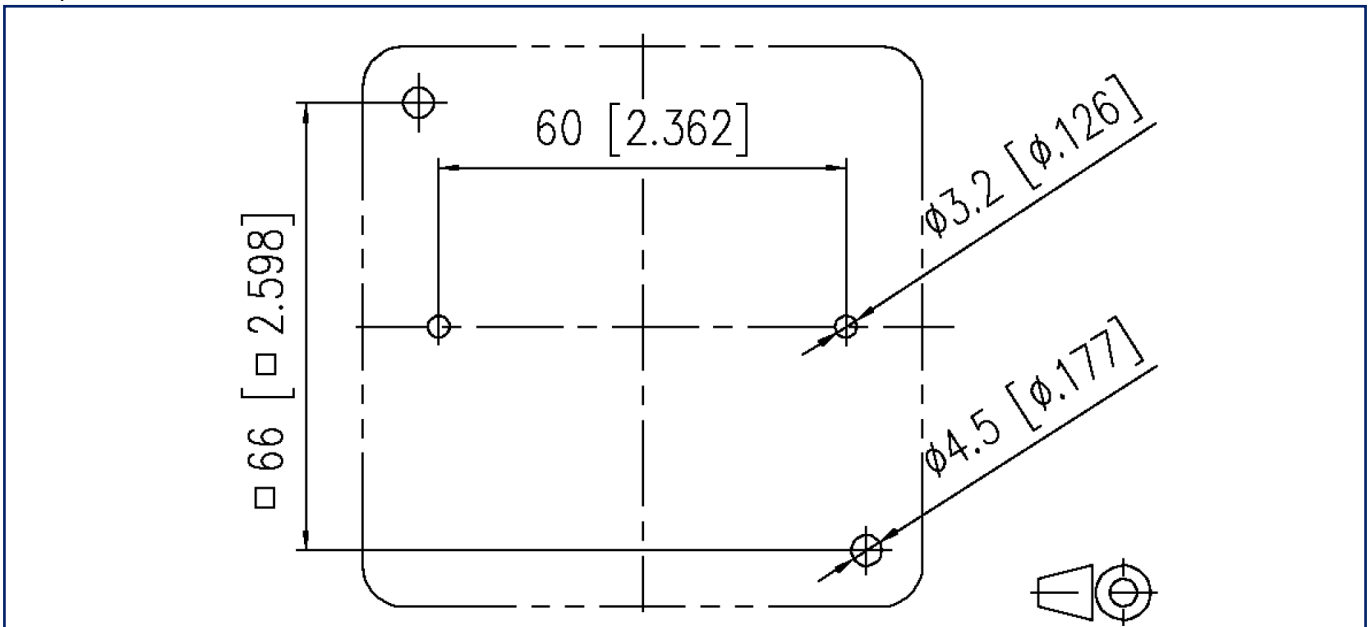
Version: AJ

## Illustrations

Dimensional drawing



Drill pattern



# P | Cabling

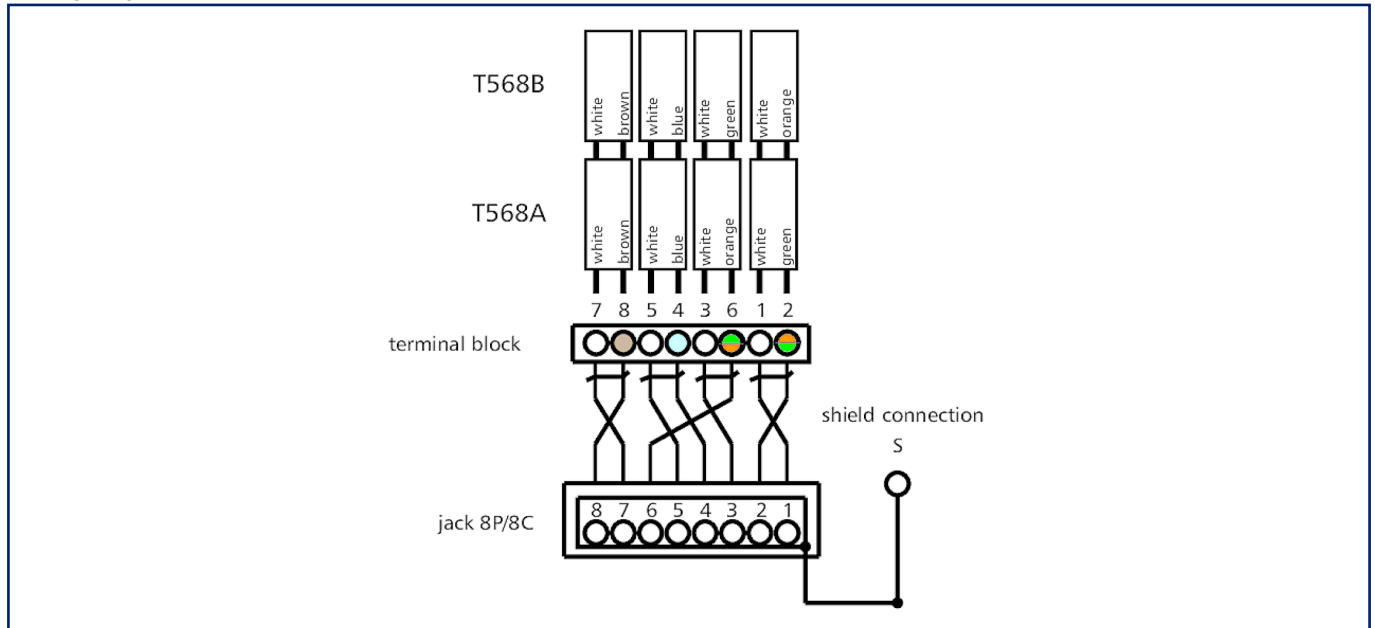
Data sheet  
**E-DAT C6<sub>A</sub> 1 port AP pure white**

Page 8/9

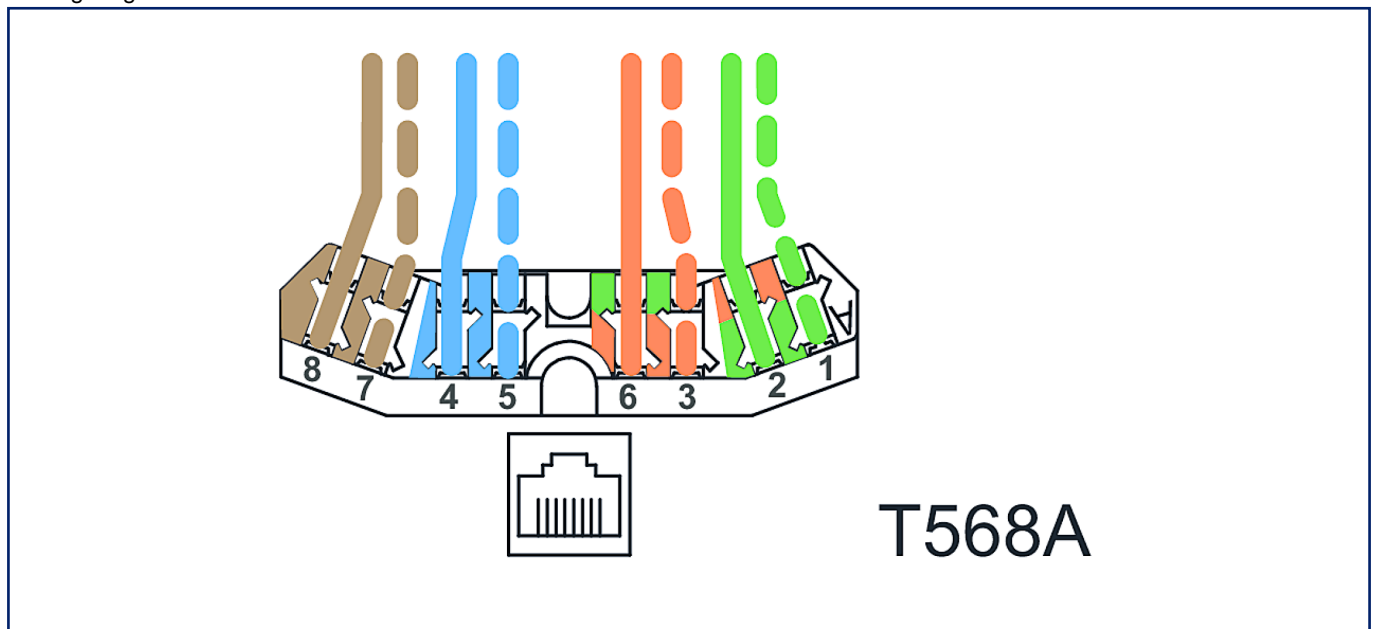
P/N  
**130C370002-I**  
 EAN 4250184116141  
 2022/07/19  
 Version: AJ

## Illustrations

Wiring diagram



Wiring diagram



**T568A**

# P | Cabling

Data sheet  
**E-DAT C6<sub>A</sub> 1 port AP pure white**

Page 9/9

P/N  
**130C370002-I**  
EAN 4250184116141  
2022/07/19  
Version: AJ

## Illustrations

Wiring diagram

