

SIEMENS



SIRIUS Innovations: Switching Devices for Load Feeders

siemens.com/sirius

Your advantages at a glance

- 2 sizes up to 18.5 kW
- 45 mm width
- Comprehensive range of accessories
- Screw-type and spring-type connection system available
- Modular system for load feeders with motor starter protectors, contactors, overload relays and current monitoring relays
- Easy and rapid mounting of feeders by means of connection modules

Answers for industry.

Strong Partners for Industry and Trade



Three-phase motor		Setting range Class 10		Motor starter protectors			Contactors			Overload relays			Current monitoring relays		
Power [kW]	Current [A]	Setting range [A]	Model	Coil voltage	Auxiliary switch		Thermally delayed	Electronic	Measuring range	Basic Analog setting	Standard Digital setting				
Size S00, 45 mm width															
0.09	0.32	0.22 – 0.32	3RV2011-0DA <input type="checkbox"/> 0	230 V, 50/60 Hz	1NO	3RT2015- <input type="checkbox"/> AP01	3RU2116-0D <input type="checkbox"/> 0	0.1 – 0.4	3RB3016-1R <input type="checkbox"/> 0						
0.12	0.5	0.35 – 0.5	3RV2011-0FA <input type="checkbox"/> 0		1NC	3RT2015- <input type="checkbox"/> AP02	3RU2116-0F <input type="checkbox"/> 0								
0.18	0.63	0.45 – 0.63	3RV2011-0GA <input type="checkbox"/> 0		24 V DC	1NO	3RT2015- <input type="checkbox"/> BB41	3RU2116-0G <input type="checkbox"/> 0	0.32 – 1.25	3RB3016-1N <input type="checkbox"/> 0					
0.25	1	0.7 – 1	3RV2011-0JA <input type="checkbox"/> 0			1NC	3RT2015- <input type="checkbox"/> BB42	3RU2116-0J <input type="checkbox"/> 0							
0.37	1.25	0.9 – 1.25	3RV2011-0KA <input type="checkbox"/> 0					3RU2116-0K <input type="checkbox"/> 0							
0.55	1.6	1.1 – 1.6	3RV2011-1AA <input type="checkbox"/> 0					3RU2116-1A <input type="checkbox"/> 0							
0.75	2	1.4 – 2	3RV2011-1BA <input type="checkbox"/> 0					3RU2116-1B <input type="checkbox"/> 0	1 – 4	3RB3016-1P <input type="checkbox"/> 0					
1.1	3.2	2.2 – 3.2	3RV2011-1DA <input type="checkbox"/> 0					3RU2116-1D <input type="checkbox"/> 0							
1.5	4	2.8 – 4	3RV2011-1EA <input type="checkbox"/> 0					3RU2116-1E <input type="checkbox"/> 0							
2.2	6.3	4.5 – 6.3	3RV2011-1GA <input type="checkbox"/> 0					3RU2116-1G <input type="checkbox"/> 0							
3	8	5.5 – 8	3RV2011-1HA <input type="checkbox"/> 0				3RU2116-1H <input type="checkbox"/> 0								
4	10	7 – 10	3RV2011-1JA <input type="checkbox"/> 0	230 V, 50/60 Hz	1NO	3RT2016- <input type="checkbox"/> AP01	3RU2116-1J <input type="checkbox"/> 0	3 – 12	3RB3016-1S <input type="checkbox"/> 0						
				1NC	3RT2016- <input type="checkbox"/> AP02										
				24 V DC	1NO	3RT2016- <input type="checkbox"/> BB41									
				1NC	3RT2016- <input type="checkbox"/> BB42										
5.5	12.5	9 – 12.5	3RV2011-1KA <input type="checkbox"/> 0	230 V, 50/60 Hz	1NO	3RT2017- <input type="checkbox"/> AP01	3RU2116-1K <input type="checkbox"/> 0			1.6 – 16	3RR2141- <input type="checkbox"/> AW30	3RR2241- <input type="checkbox"/> FW30			
				1NC	3RT2017- <input type="checkbox"/> AP02										
				24 V DC	1NO	3RT2017- <input type="checkbox"/> BB41									
				1NC	3RT2017- <input type="checkbox"/> BB42										
7.5	16	11 – 16	3RV2011-4AA <input type="checkbox"/> 0	230 V, 50/60 Hz	1NO	3RT2018- <input type="checkbox"/> AP01	3RU2116-4A <input type="checkbox"/> 0	4 – 16	3RB3016-1T <input type="checkbox"/> 0						
				1NC	3RT2018- <input type="checkbox"/> AP02										
				24 V DC	1NO	3RT2018- <input type="checkbox"/> BB41									
				1NC	3RT2018- <input type="checkbox"/> BB42										
Size S0, 45 mm width															
7.5	16	11 – 16	3RV2021-4AA <input type="checkbox"/> 0	230 V, 50 Hz	1NO+1NC	3RT2025- <input type="checkbox"/> AP00	3RU2126-4A <input type="checkbox"/> 0								
7.5	20	14 – 20	3RV2021-4BA <input type="checkbox"/> 0	24 V DC	1NO+1NC	3RT2025- <input type="checkbox"/> BB40	3RU2126-4B <input type="checkbox"/> 0								
11	22	17 – 22	3RV2021-4CA <input type="checkbox"/> 0	230 V, 50 Hz	1NO+1NC	3RT2026- <input type="checkbox"/> AP00	3RU2126-4C <input type="checkbox"/> 0								
11	25	20 – 25	3RV2021-4DA <input type="checkbox"/> 0	24 V DC	1NO+1NC	3RT2026- <input type="checkbox"/> BB40	3RU2126-4D <input type="checkbox"/> 0								
15	28	23 – 28	3RV2021-4NA <input type="checkbox"/> 0	230 V, 50 Hz	1NO+1NC	3RT2027- <input type="checkbox"/> AP00	3RU2126-4N <input type="checkbox"/> 0	10 – 40	3RB3026-1V <input type="checkbox"/> 0	4 – 40	3RR2142- <input type="checkbox"/> AW30	3RR2242- <input type="checkbox"/> FW30			
15	32	27 – 32	3RV2021-4EA <input type="checkbox"/> 0	24 V DC	1NO+1NC	3RT2027- <input type="checkbox"/> BB40	3RU2126-4E <input type="checkbox"/> 0								
18.5	36	30 – 36	3RV2021-4PA10	230 V, 50 Hz	1NO+1NC	3RT2028- <input type="checkbox"/> AP00	3RU2126-4P <input type="checkbox"/> 0								
18.5	40	34 – 40	3RV2021-4FA10	24 V DC	1NO+1NC	3RT2028- <input type="checkbox"/> BB40	3RU2126-4F <input type="checkbox"/> 0								

*1, *2 see connection module accessories

Accessories for 3RV motor starter protectors size S00, S0

Mountable accessories	Version	Screw-type connection	Spring-type connection
Transverse auxiliary switch	1CO	3RV2901-1D	–
	1NO+1NC	3RV2901-1E	3RV2901-2E
Lateral auxiliary switch	1NO+1NC	3RV2901-1A	3RV2901-2A
	2NO	3RV2901-1B	3RV2901-2B
Shunt release	210 ... 240V AC	3RV2902-1DP0	3RV2902-2DP0
	24 V DC	3RV2902-1DB0	3RV2902-2DB0
Undervoltage release	230V AC	3RV2902-1AP0	3RV2902-2AP0
	24V DC	3RV2902-1AB4	–
Door-coupling rotary operating mechanism 130 mm shaft	black	3RV2926-0B	
	red / yellow	3RV2926-0C	
Molded plastic enclosure for surface mounting IP55, black	54 mm width	3RV1923-1CA00	
	72 mm width	3RV1923-1DA00	
Molded plastic enclosure for surface mounting IP55, E-STOP	54 mm width	3RV1923-1FA00	
	72 mm width	3RV1923-1GA00	
Cast-aluminum enclosure for surface mounting IP65	72 mm width	3RV1923-1DA01	

Connection modules motor starter protector – contactor

Coil voltage contactor			
S00	AC/DC	*1	3RA1921-1DA00 3RA2911-2AA00
S0	AC	*2	3RA2921-1AA00 3RA2921-2AA00
S0	DC	*2	3RA2921-1BA00 3RA2921-2AA00

Contactor Accessories

	Front auxiliary contacts	Screw-type connection	Spring-type connection
Size S00 and S0			
	4NO	3RH2911-1FA40	3RH2911-2FA40
	4NC	3RH2911-1FA04	3RH2911-2FA04
	1NO	3RH2911-1AA10	–
	1NC	3RH2911-1AA01	–
	1NO+1NC	3RH2911-1LA11	–
	2NO	3RH2911-1LA20	–

Surge suppressor

Size S00		Pluggable
Without LED	Varistor	3RT2916-1BD00
With LED	127 ... 240V AC	3RT2916-1JL00
Without LED	RC element 127 ... 240V AC	3RT2916-1CD00
Without LED	Suppression diode 24 V DC	3RT2916-1DG00
Size S0		
Without LED	Varistor	3RT2926-1BD00
With LED	127 ... 240V AC	3RT2926-1JL00
Without LED	RC element 127 ... 240V AC	3RT2926-1CD00
Without LED	Suppression diode 24 V DC	3RT2926-1ER00

Coil connection module

Size S0, connection from the bottom		
	3RT2926-4RB11	3RT2926-4RB12

Accessories overload relays and current monitoring relays

Holder for stand-alone assembly	Screw-type connection	Spring-type connection
S00	3RU2916-3AA01	3RU2916-3AC01
S0	3RU2926-3AA01	3RU2926-3AC01

Wiring kit for contactors

Reversing combination		
S00	3RA2913-2AA1	3RA2913-2AA2
S0	3RA2923-2AA1	3RA2923-2AA2 only main circuit

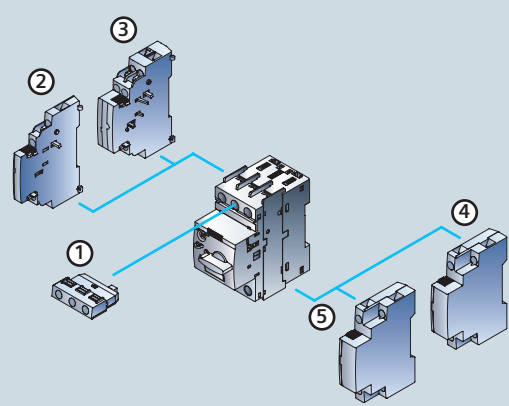
Star-delta combination		
S00	3RA2913-2BB1	3RA2913-2BB2
S0	3RA2923-2BB1	3RA2923-2BB2 only main circuit

Star-delta function module, pluggable



Consisting of one basic module and two coupling modules
 Rated control supply voltage 24 ... 240 V AC/DC
 Time range 0.5 ... 60 sec (10, 30, 60 sec selectable)
 S00, S0 3RA2816-0EW20

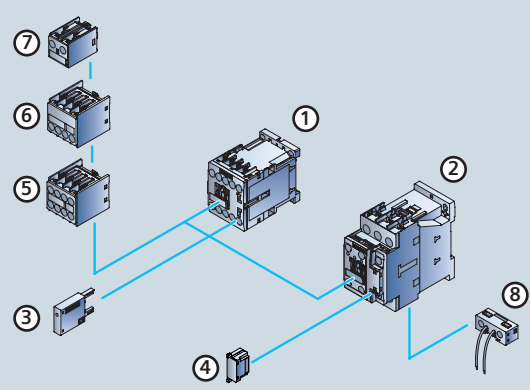
3RV2 motor starter protector with mountable accessories



Mountable accessories

- ① Transverse auxiliary switch
- ② Lateral auxiliary switch with 2 contacts
- ③ Lateral auxiliary switch with 4 contacts
- ④ Shunt release
- ⑤ Undervoltage release with/without leading contacts

3RT2 Contactor, size S00 and S0 with mountable accessories



Mountable accessories

- ① Contactor, size S00
- ② Contactor, size S0
- ③ Surge suppressor with/without LED, size S00
- ④ Surge suppressor with/without LED, size S0
- ⑤ 4-pole auxiliary switch
- ⑥ 2-pole auxiliary switch
- ⑦ 1-pole auxiliary switch
- ⑧ Coil connection module

Starter combinations



Motor starter protector



Connection module S00 and S0



Contactor S00 and S0



Overload relay or current monitoring relay



Thermally delayed



Electronic

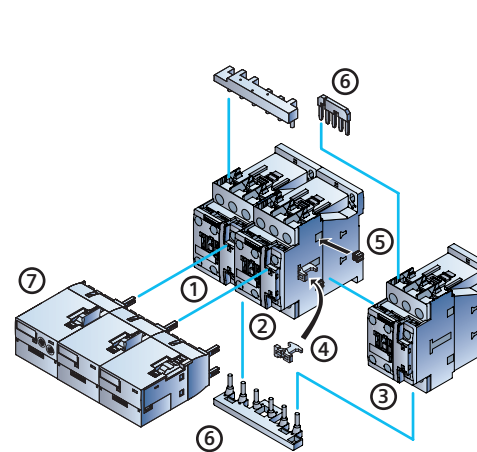


Analog setting



Digital setting

Readily wired and tested contactor combination



① Line contactor

② Delta contactor

③ Star contactor

The assembly kit contains:

④ Mechanical interlock

⑤ Connection clips

⑥ Wiring modules top and bottom

⑦ Function module star-delta

Size S0-S0-S0 up to 22 kW

Version with screw-type connection shown



Siemens AG
 Industry Sector
 Industry Automation
 Control Components and
 Systems Engineering
 Partner of the electrical trade
 P.O. Box 23 55
 90713 FUERTH, GERMANY

Subject to change without prior notice 07/12
 Order No. E20001-A140-M106-X-7600
 Dispo 18101
 SCHÖ/42523 MI.CE.EG.XXXX.52.2.13
 SB 07122.
 Printed in Germany
 © Siemens AG 2012

The information provided in this brochure contains merely general descriptions or characteristics of performance which in case of actual use do not always apply as described or which may change as a result of further development of the products. An obligation to provide the respective characteristics shall only exist if expressly agreed in the terms of contract.

All product designations may be trademarks or product names of Siemens AG or supplier companies whose use by third parties for their own purposes could violate the rights of the owners.