



Sample image

Datasheet

Article number: 70019117

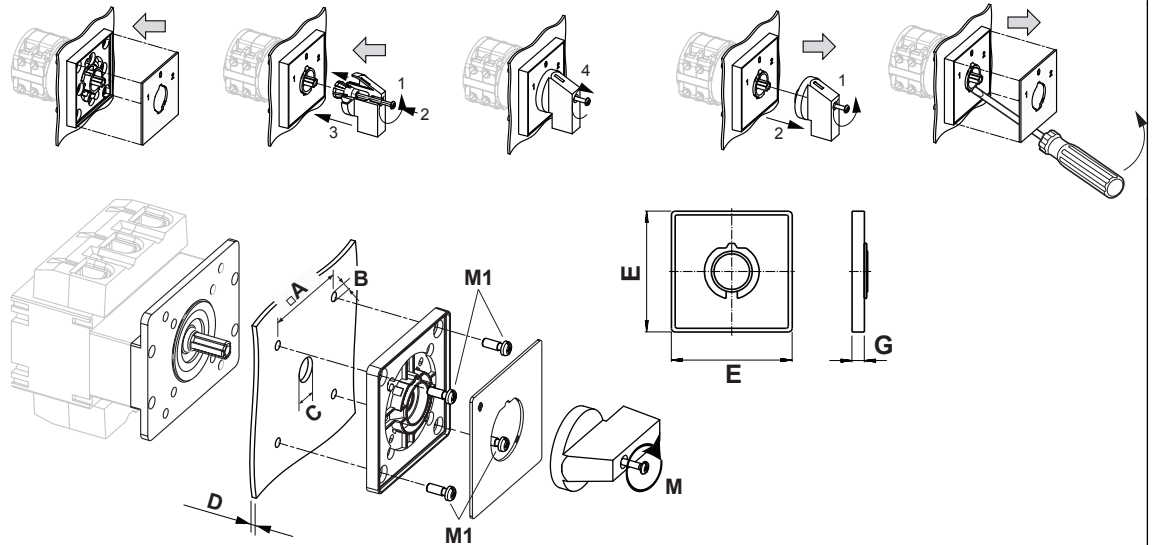
Designation: KG250.T104/05.E

Description: Switch Global Disconnecter

IEC 60947-3 EN 60947-3, VDE 0660 Teil 107						
Märkdriftspänning Ui						
<i>Spänning (V) AC / DC</i>						
1000 AC						
Märkdriftström vid konstant drift						
<i>Ström (A)</i>		<i>Omgivningstemperatur (°C)</i>		<i>Temperatur topp (°C) ytterligare krav</i>		
250		50		55 Omgivningstemperatur +50°C under 24 timmar med toppar upp till +55°C		
Märkdrifteffekt						
<i>Urvals kriterie</i>	<i>Spänning (V)</i>		<i>No. of phases</i>		<i>No. of poles</i>	
AC-3	220 - 240		3		3	
AC-3	380 - 440		3		3	
AC-3	660 - 690		3		3	
AC-23A	220 - 240		3		3	
AC-23A	380 - 440		3		3	
AC-23A	660 - 690		3		3	
Max försäkring, IEC						
<i>Säkringskarakteristik</i>					<i>Antal säkringar</i>	
gG					1	
UL60947-4-1 , UL508						
Nominal Voltage						
<i>Spänning (V) AC / DC</i>						
600 AC						
Märkdriftspänning Ui						
<i>Spänning (V) AC / DC</i>						
600 AC						
Rated thermal current						
<i>Ström (A)</i>		<i>Omgivningstemperatur (°C)</i>		<i>Additional Text</i>		
250		0 - 40		-		
Horsepower rating						
<i>Across-the-Line Motor Starting</i>						
	<i>Spänning (V)</i>		<i>No. of phases</i>		<i>No. of poles</i>	
DOL	110 - 120		1		2	
DOL	220 - 240		1		2	
DOL	277 - 277		1		2	
DOL	440 - 480		1		2	
DOL	550 - 600		1		2	
DOL	110 - 120		3		3	
DOL	220 - 240		3		3	
DOL	440 - 480		3		3	
DOL	550 - 600		3		3	
SCCR / Max. fuse rating						
<i>Conditions of acceptability</i>						
This device is suitable for use on circuits capable of delivering not more than 10kA rms symmetrical amperes, 600V ac max. when protected by Type RK1 fuses.						
Suitable for use on a circuit capable of delivering not more than 65000 rms symmetrical amperes at 600V max., when protected by 400A Class J fuses.						
Temp. rating of wire						
<i>Temperature rating (°C)</i>			<i>Ström (A) Text</i>			
75			- -			
General Use						
<i>AC / DC</i>	<i>Spänning (V)</i>		<i>Ström (A)</i>		<i>No. of phases</i>	
AC	277		250		1	
AC	600		250		1	
AC	600		250		3	
General Information						
<i>Text</i>						
- The operating handle and position indicating means to be used with these manual motor controllers should be provided from the manufacturer, or the operating handle and position indicating means to be used should have been previously evaluated in combination with the manual motor controllers.						
CSA						
Nominal Voltage						
<i>Spänning (V) AC / DC</i>						
600 AC						
Märkdriftspänning Ui						
<i>Spänning (V) AC / DC</i>						
600 AC						

Rated thermal current						
Ström (A)			Omgivningstemperatur (°C)		Additional Text	
250			0 - 40		-	
Horsepower rating						
<i>Across-the-Line Motor Starting</i>						
	Spänning (V)	No. of phases	No. of poles	Power (HP)	Ambient temperature [°C]	
DOL	110 - 120	1	2	15	40	
DOL	220 - 240	1	2	30	40	
DOL	277 - 277	1	2	30	40	
DOL	440 - 480	1	2	45	40	
DOL	550 - 600	1	2	50	40	
DOL	110 - 120	3	3	30	40	
DOL	220 - 240	3	3	60	40	
DOL	440 - 480	3	3	75	40	
DOL	550 - 600	3	3	75	40	
Temp. rating of wire						
Temperature rating (°C)			Ström (A) Text			
75			-- --			
General Use						
AC / DC	Spänning (V)	Ström (A)	No. of phases	No. of poles	No. of contacts in series	
AC	277	250	1	1	1	
AC	600	250	1	2	1	
AC	600	250	3	3	1	
GENERAL TECHNICAL INFORMATION						
Size of conductor						
composition of conductor	Min. / Max. value	No. of conductor per terminal	Cross section (mm ²) or (AWG/kcmil)		Material of the wire	
solid wire	Min.	1	16mm ²		Copper	
flexible wire	Max.	1	MCM 300		Copper	
flexible wire	Max.	1	150mm ²		Copper	
flexible wire	Min.	1	25mm ²		Copper	
Single-core or stranded wire	Max.	1	185mm ²		Copper	
Single-core or stranded wire	Max.	1	MCM 350		Copper	
flexible wire with sleeve	Max.	1	120mm ²		Copper	
flexible wire with ferrule according to DIN 46228	Min.	1	16mm ²		Copper	
Stripping length						
Length (mm) --						
						
Rekomenderad skruvmejsel						
Typ av skruvmejsel		Value				
Insex		6				
Tightening torque of screws						
tightening torque (Nm)			tightening torque (lb-in)			
16			140			
Approbations						
Specification					Marking	
EAC						
CE marking						
UK Directives						
CSA C.22.2 No.14						
GB/T14048.3						
General Information						
<i>Text</i>						
- Smörjning och behandling av kontaktarna är förbjuden.						
- Inkoppling och service av strömställaren får endast utföras av behörig personal. Strömställaren är underhållsfri.						
- Använd endast kopparkabel. Kabeln får inte förtennas.						
- Alla anslutningsskruvar måste dras med rekommenderat moment, även de som inte används då det kan finnas interna överkopplingar.						
Waste Electrical & Electronic Equipment (WEEE)						
Picture name	Description					
	Do not throw in the trash as care must be taken to ensure environmentally sound disposal and recycling. Please either use an environmentally friendly waste disposal company; return to the supplier for disposal; or return direct to the manufacturer, Kraus & Naimer. You can find local Kraus & Naimer offices at www.krausnaimer.com					
Proposition 65						
Picture name	Description					
	WARNING: This product can expose you to chemicals including nickel and lead, which is known to the State of California to cause cancer. For more information go to www.P65Warnings.ca.gov .					
Classification Contact: Rigid contact bridge						
Classification Contact Mat: Silver						
Classification Terminal: Screw terminal						

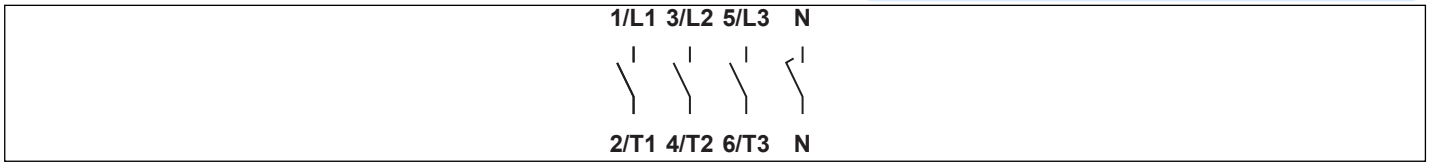
Mounting-E



Skyddsklass frontpanel, IP		IP66, IP67
Stages		1,00 - 5,00
A	□	68,00 mm
B	∅	6,00 mm
C	∅	13,00 - 17,00 mm
D	H	<= 5,50 mm
E	H	88,00 mm
G	H	8,50 mm
M	⌘	1,20 Nm
M1	⌘	1,50 Nm


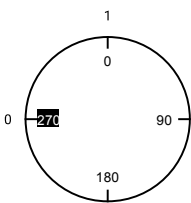
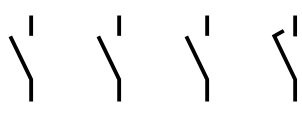
Wiring diagram

KG250.T304.E



Switch program

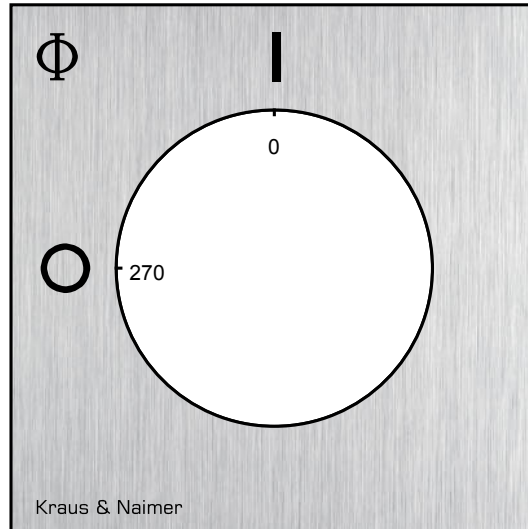
KG250.T304.E

 Kraus & Naimer		KG250		T304		Page 1 of 1			
		Face Plate		1/L1	3/L2	5/L3	N		
		1	3	5	7	9	11	13	15
									
Switching Angle <input type="text" value="90"/> Total switching Angle <input type="text" value="90"/>		2	4	6	8	10	12	14	16
		2/T1	4/T2	6/T3	N				
0	<input checked="" type="checkbox"/>								
1	<input type="checkbox"/>	<input checked="" type="checkbox"/>	<input checked="" type="checkbox"/>	<input checked="" type="checkbox"/>	<input checked="" type="checkbox"/>				
	<input type="checkbox"/>								
	<input type="checkbox"/>								
90	<input type="checkbox"/>								
	<input type="checkbox"/>								
	<input type="checkbox"/>								
180	<input type="checkbox"/>								
	<input type="checkbox"/>								
	<input type="checkbox"/>								
	<input type="checkbox"/>								

Version: 84

Face plate

S1.F456/A10.M1H



PADLOCK DEVICE

Designation: S2.V845/A11/A12

Face plate and handle unit: "A" face plate/alu, frame/black, handle/black, locking push rod/red

Locking position: "1" at 270°+90° - knockouts every 45°

Angular displacement: "1" 1 x 90°

Type of mounting: "A" for type of mounting E

Type of version: "1" for same switch size

Switch type: "2" for KA-, KG- and KH(R)-switches

