



Sample image

Datasheet

Article number: 70007566

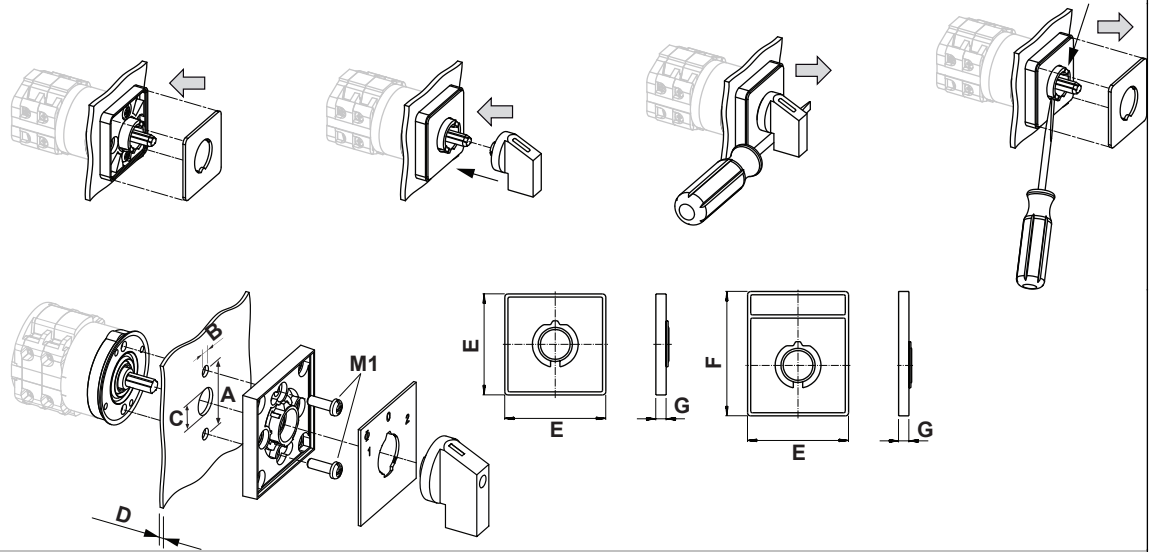
Designation: CA4.A291.E

Description: Switch

IEC 60947-3 EN 60947-3, VDE 0660 Teil 107						
Rated insulation voltage Ui						
Voltage (V) AC / DC						
440 AC / DC						
Rated uninterrupted current Iu/Ith						
Current (A)	Ambient temperature (°C)	Peak temperature (°C)	additional requirements			
10	55	60	Ambient temperature +55°C during 24 hours with peaks up to +60°C			
Rated operational current Ie						
Utilization category		Voltage (V)			Current (A)	
AC-15		220 - 240			2,50	
AC-15		380 - 440			1,50	
Rated operational power						
Utilization category	Voltage (V)	No. of phases	No. of poles	Power (kW)		
AC-3	220 - 240	3	3	1,50		
AC-3	380 - 440	3	3	2,20		
AC-3	220 - 240	1	2	0,55		
AC-3	380 - 440	1	2	0,75		
AC-23A	220 - 240	3	3	1,80		
AC-23A	380 - 440	3	3	3		
AC-23A	220 - 240	1	2	0,75		
AC-23A	380 - 440	1	2	1,10		
Max Fuse Rating IEC						
Fuse characteristic				No. of Fuses	Current (A)	
gG				1	10	
UL60947-4-1, UL508						
Nominal Voltage						
Voltage (V) AC / DC						
300 AC						
Rated insulation voltage Ui						
Voltage (V) AC / DC						
300 AC						
Rated thermal current						
Current (A)		Ambient temperature (°C)		Additional Text		
10		0 - 40		-		
Horsepower rating						
Across-the-Line Motor Starting	Voltage (V)	No. of phases	No. of poles	Power (HP)	Ambient temperature [°C]	
DOL	110 - 120	1	2	0,33	40	
DOL	220 - 240	1	2	0,75	40	
DOL	277 - 277	1	2	0,75	40	
DOL	110 - 120	3	3	0,75	40	
DOL	220 - 240	3	3	1	40	
Pilot duty rating code						
Duty Code						
A300						
Temp. rating of wire						
Temperature rating (°C)			Current (A) Text			
60 - 75			- Use copper wire only			
General Use						
AC / DC	Voltage (V)	Current (A)	No. of phases	No. of poles	No. of contacts in series	
AC	120	10	1	1	1	
AC	277	10	1	2	1	
AC	277	10	3	3	1	
CSA						
Nominal Voltage						
Voltage (V) AC / DC						
300 AC						
Rated insulation voltage Ui						
Voltage (V) AC / DC						
300 AC						

Rated thermal current						
		Current (A)	Ambient temperature (°C)		Additional Text	
		10	0 - 40		-	
Horsepower rating						
Across-the-Line Motor Starting						
	Voltage (V)	No. of phases	No. of poles	Power (HP)	Ambient temperature [°C]	
DOL	110 - 120	1	2	0,33	40	
DOL	220 - 240	1	2	0,75	40	
DOL	277 - 277	1	2	0,75	40	
DOL	110 - 120	3	3	0,75	40	
DOL	220 - 240	3	3	1	40	
Pilot duty rating code						
Duty Code						
A300						
Temp. rating of wire						
		Temperature rating (°C)	Current (A)		Text	
		75	-		only	
General Use						
AC / DC	Voltage (V)	Current (A)	No. of phases	No. of poles	No. of contacts in series	
AC	120	10	1	1	1	
AC	277	10	1	2	1	
GENERAL TECHNICAL INFORMATION						
Tightening torque of screws						
		tightening torque (Nm)			tightening torque (lb-in)	
		0,40			3,50	
Stripping length						
		Length (mm) -				
		6 STRIPPINGLENGTH				
Size of conductor						
composition of conductor	Min. / Max. value	No. of conductor per terminal		Cross section (mm ²) or (AWG/kcmil)	Material of the wire	
solid wire	Min.	1		0.5mm ²	Copper	
solid wire	Min.	2		0.5mm ²	Copper	
flexible wire	Min.	1		0.75mm ²	Copper	
flexible wire	Min.	2		0.75mm ²	Copper	
flexible wire	Max.	2		AWG 16	Copper	
flexible wire	Max.	2		1.5mm ²	Copper	
Single-core or stranded wire	Max.	2		AWG 14	Copper	
Single-core or stranded wire	Max.	2		1.5mm ²	Copper	
flexible wire with ferrule according to DIN 46228	Max.	2		1mm ²	Copper	
flexible wire with ferrule according to DIN 46228	Min.	1		0.5mm ²	Copper	
flexible wire with ferrule according to DIN 46228	Min.	2		0.5mm ²	Copper	
Approbations						
Specification						Marking
EAC						
CE marking						
UK Directives						
CSA C.22.2 No.14						
Recommended screw driver						
Type of screw driver		Value				
Cross Screwdriver		PH1				
Slot screwdriver according to DIN 5264		0,6x3,5				
General Information						
Text						
- Do not lubricate or treat contacts.						
- Switches may only be mounted, connected and set into operation by qualified persons according to the accepted rules of technology.						
- Use copper wire only. Do not coat the wire end with tin.						
- Terminals with factory fitted jumper links are tightened during production. Take care during installation to ensure factory fitted links are not lost by undoing both sides of linked terminals. After wiring, all terminal screws must be tightened to recommended torque specifications.						
- After installation of the switches the spacings between the terminals must be sufficient to fulfill the requirement of the applicable standards.						
Waste Electrical & Electronic Equipment (WEEE)						
Picture name	Description					
	Do not throw in the trash as care must be taken to ensure environmentally sound disposal and recycling. Please either use an environmentally friendly waste disposal company, return to the supplier for disposal, or return direct to the manufacturer, Kraus & Naimer. You can find local Kraus & Naimer offices at www.krausnaimer.com					
Proposition 65						
Picture name	Description					
	WARNING: This product can expose you to chemicals including nickel and lead, which is known to the State of California to cause cancer. For more information go to www.P65Warnings.ca.gov .					
Classification Contact: Rigid contact bridge						
Classification Contact Mat: Silver						
Classification Terminal: Screw terminal						

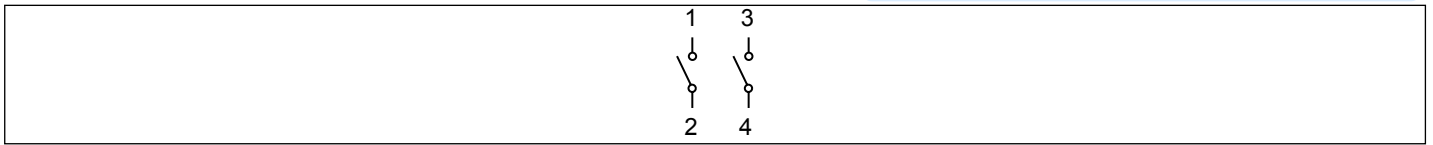
Mounting-E




IP - Code front side		IP40
Stages		1,00 - 9,00
A	H	20,00 mm
B	Ø	3,20 mm
C	Ø	8,00 - 11,00 mm
D	H	<= 4,00 mm
E	H	30,00 mm
F	H	39,00 mm
G	H	5,50 mm
M1	⌀	0,40 Nm

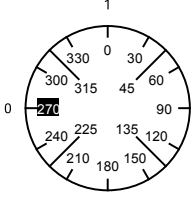
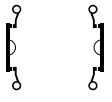
Wiring diagram

CA4.A291.E



Switch program
CA4.A291.E

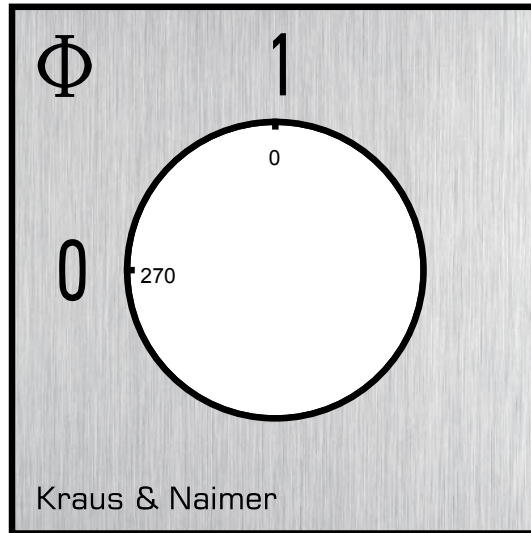
 Kraus & Naimer

		CA4		A291								Page 1 of 1													
Face Plate																									
		1		3		5		7		9		11		13		15		17		19		21		23	
																									
Switching Angle <input type="text" value="90"/> Total switching Angle <input type="text" value="90"/>		2		4		6		8		10		12		14		16		18		20		22		24	
0		270																							
		285																							
		300																							
		315																							
		330		█		█																			
		345																							
1		0		█		█																			
		15																							
		30																							
		45																							
		60																							
		75																							
		90																							
		105																							
		120																							
		135																							
		150																							
		165																							
		180																							
		195																							
		210																							
		225																							
		240																							
		255																							

Version: 96

Face plate

S00.F056/A1B.PE



HANDLES

Designation: S00.G251
Handle colour: "1" black

