

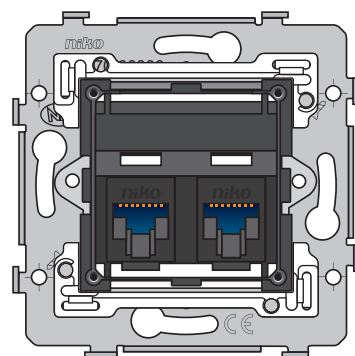
# 2 RJ45 connections UTP Cat. 6, oblique model, incl. base 71 x 71 mm with screw fixing

170-75362

4 year warranty

This mechanism with 2 RJ45 connection points UTP Cat. 6, oblique model, is used to make a network connection with 2 devices for telephone, Ethernet, IP or internet applications. Each of the connection points on the mechanism is connected in a star configuration to the central connection cabinet using a cable of the same performance type. The base has internal dimensions of 45 x 45 mm and external dimensions of 71 x 71 mm and is equipped with screw fixing. A finishing set in the colour of your choice must be ordered separately.

- simple and quick assembly of one or more mechanisms by the indication (chalk line, laser, etc.) of the centre of the flush-mounting frame
- vertical coupling centre-to-centre distance 60 mm by sliding several bases into each other, they lock themselves automatically
- vertical coupling centre-to-centre distance 71 mm using pre-formed lips at the bottom, by folding the lips downwards over a length of 1 mm, the bases support each other and the centre-to-centre distance is guaranteed.
- horizontal connection of multiple bases is quick and perfect thanks to the folded-up dovetails on the left and right sides
- extra robustness due to the folded-up edges on the outside of the base and the continuation into the inside of the base



## Technical data

2 RJ45 connections UTP Cat. 6, oblique model, incl. base 71 x 71 mm with screw fixing.

- Protection degree: IP41 for the combination of a mechanism, central plate and faceplate
- The combination of a mechanism, a central plate and a faceplate has an impact-resistance of IK06
- Marking: CE

Universal base for 45 x 45 mm functions.

- Protection degree: IP41 for the combination of a mechanism, central plate and faceplate
- Impact resistance: The combination of a mechanism, a central plate and a faceplate has an impact-resistance of IK06
- Flush-mounting frame
  - 1 mm-thick metal
  - galvanized on all sides after cutting, even on the cut edges
  - with 4 grooves with screw hole of 7 mm
  - with 4 screw holes (indicated by a screw symbol) with a diameter of 3 mm for mounting on panels
- Fixing method
  - with screws for simple fixing in a flush-mounting box with grip surfaces

**niko**

- Centre-to-centre distance
  - horizontal coupling and vertical coupling with centre-to-centre distance 71 mm
  - horizontal connection of several bases is quick and perfect thanks to the folded-up dovetails on the left and right side
  - extra robustness due to the folded-up edges on the outside of the base and the continuation to the inside of the base
- End border: The flush-mounting frame is equipped, both on the top and the bottom, with a dark grey, plastic end border. This border is made of PC+ASA and is joined to the flush-mounting frame using a melting process. The corners of the two end borders are equipped with rectangular openings (7.9 x 1.5 mm) each containing a multi-positional snap hook. Thanks to the snap hooks, the 4 rectangular openings ensure that the faceplate can always be attached flat to the wall, even in cases of untidy plasterwork. This works in two directions: If the flush-mounting box sticks out of the plasterwork, the multi-positional snap hooks can compensate for a 1 to 1.2 mm margin; if the flush-mounting box is sunk too deeply in the plasterwork, the snap hooks can compensate for up to a 1.8 mm margin. The end borders also have 4 round openings that ensure the correct positioning of the faceplate in relation to the central plate.
- Ambient temperature: -5 – +40 °C
- Marking: CE

Adaptor 9.1, double, oblique for RJ connectors 650-450xx

- Dimensions (HxWxD): 45 x 45 x 21.1 mm
- Protection degree: IP41 for the combination of a mechanism, central plate and faceplate
- Impact resistance: The combination of a mechanism, a central plate and a faceplate has an impact-resistance of IK06
- Marking: CE

Unshielded RJ45 connector UTP cat. 6, for bandwidths up to 250MHz

- Protection degree: IP41 for the combination of a mechanism, central plate and faceplate
- Impact resistance: The combination of a mechanism, a central plate and a faceplate has an impact-resistance of IK06
- Marking: CE

