

3-P. MAIN CTR. SWITCH IU=16, P/AC-23A AT 400V=7.5KW 1NO+1NC, 1N-TERMINAL MOULDED-PLASTIC ENCLOSED, IP65 ROTARY ACTUATOR BLACK



Figure similar

Model		
product brand name		SETRON
Product designation		Main and EMERGENCY-STOP switches
Design of the operating mechanism		rotary actuator, black
Type of the driving mechanism / motor drive		No
General technical data		
Number of poles		3
Type of device		fixed mounting
Protection against electrical shock		finger-safe
Mechanical service life (switching cycles) / of the main contacts / typical		100 000
Operating frequency / maximum	1/h	50
Voltage		
Insulation voltage / Rated value	V	690
Surge voltage resistance / Rated value	V	6 000
Protection class		
Protection class IP		IP65
Electricity		

Continuous current / Rated value	A	16
Short-time current resistance (I <sub>cw</sub> ) / at 690 V / limited to 1 s / Rated value	A	340

### Main circuit

<b>Operating frequency</b>		
• initial value	Hz	50
• Full-scale value	Hz	60
<b>Operating power</b>		
• at AC-23 A / at 400 V / Rated value	kW	7.5
• at AC-23 A / at 690 V / Rated value	kW	7.5
• at AC-3 / at 400 V / Rated value	kW	5.5
• at AC-3 / at 690 V / Rated value	kW	5.5
<b>Operating voltage</b>		
• at AC / at 50/60 Hz / Rated value	V	690
Operating current / at AC-21 / Rated value	A	16

### Auxiliary circuit

Number of CO contacts / for auxiliary contacts		0
Number of NC contacts / for auxiliary contacts		1
Number of NO contacts / for auxiliary contacts		1
Operating voltage / of the auxiliary contacts / at AC / maximum	V	500
Continuous current / of the auxiliary contact / Rated value	A	10
Insulation voltage / of the auxiliary switch / Rated value	V	500

### Suitability

<b>Suitability for use</b>		
• Main switch		Yes
• switch disconnecter		Yes
• EMERGENCY OFF switch		No
• safety switch		Yes
• maintenance/repair switch		Yes

### Product details

Product feature / interlock		Yes
Product expansion / optional		
• motor drive		No
• Voltage trigger		No

### Connections

<b>Connectable conductor cross-section</b>		
• for main contacts		
— single or multi-stranded / minimum	mm <sup>2</sup>	1

— single or multi-stranded / maximum	mm <sup>2</sup>	6
— finely stranded / with core end processing / maximum	mm <sup>2</sup>	4
— stranded / minimum	mm <sup>2</sup>	1
— stranded / maximum	mm <sup>2</sup>	6
• for auxiliary contacts		
— single or multi-stranded / minimum	mm <sup>2</sup>	0.75
— single or multi-stranded / maximum	mm <sup>2</sup>	4
— finely stranded / with core end processing / minimum	mm <sup>2</sup>	0.75
— finely stranded / with core end processing / maximum	mm <sup>2</sup>	2.5
— stranded / minimum	mm <sup>2</sup>	0.75
— stranded / maximum	mm <sup>2</sup>	4
<b>Type of connectable conductor cross-section</b>		
• for main contacts / finely stranded / with core end processing		4
• for auxiliary contacts		
— solid		50
— finely stranded / with core end processing		2x (0.75 ... 1.5 mm <sup>2</sup> ), 1x 2.5 mm <sup>2</sup>
<b>Type of electrical connection</b>		
• for main current circuit		connection terminals
• for auxiliary contacts		connection terminals

## Requirements

<b>Design of the fuse link</b>		
• for short-circuit protection of the main circuit / required		fuse gL/gG: 20 A
• for short-circuit protection of the auxiliary switch / required		fuse gL/gG: 10 A

## Mechanical Design

<b>Height</b>	mm	152
<b>Width</b>	mm	100
<b>Depth</b>	mm	117
<b>Mounting type</b>		floor mounting
<b>Mounting type</b>		
• front mounting		No
• front mounting with 4-hole attachment		No
• front mounting with central attachment		Yes
• Side-by-side mounting		No
• rail mounting		No
<b>Net weight</b>	g	455

## Environmental conditions

<b>Ambient temperature</b>			
• during operation / minimum	°C	-25	
• during operation / maximum	°C	55	

**Certificates**

<b>Equipment marking</b>			
• acc. to DIN EN 61346-2		S	

**General Product Approval**



[sonstig](#)

<b>Declaration of Conformity</b>	<b>Test Certificates</b>	<b>Shipping Approval</b>	<b>other</b>
----------------------------------	--------------------------	--------------------------	--------------



[spezielle Prüfbescheinigung](#)  
n



[Umweltbestätigung](#)

**Further information**

**Information- and Downloadcenter (Catalogs, Brochures,...)**  
<http://www.siemens.com/lowvoltage/catalogs>

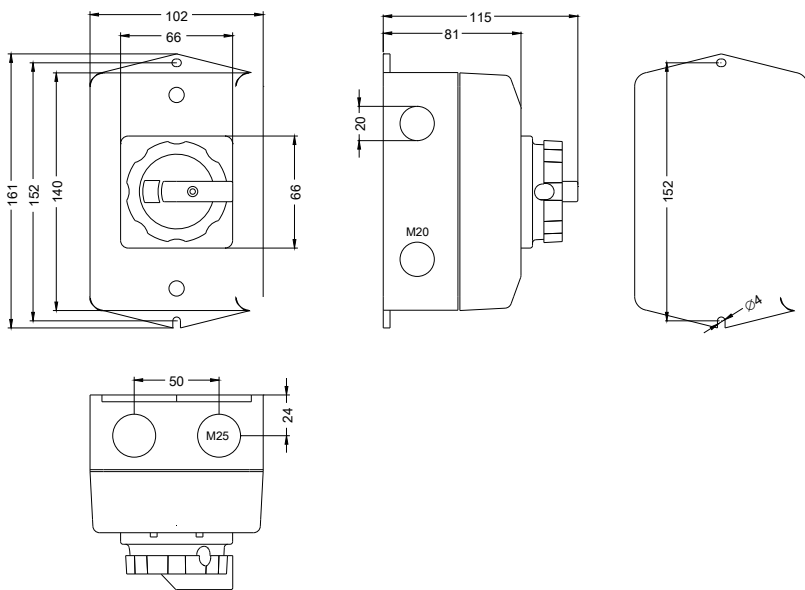
**Industry Mall (Online ordering system)**  
<https://eb.automation.siemens.com/mall/en/WW/Catalog/Product/3LD20641GP51>

**Service&Support (Manuals, Certificates, Characteristics, FAQs,...)**  
<http://support.automation.siemens.com/WW/view/en/3LD20641GP51/all>

**Image database (product images, 2D dimension drawings, 3D models, device circuit diagrams, ...)**  
[http://www.automation.siemens.com/bilddb/cax\\_en.aspx?mlfb=3LD20641GP51](http://www.automation.siemens.com/bilddb/cax_en.aspx?mlfb=3LD20641GP51)

**CAX-Online-Generator**  
<http://www.siemens.com/cax>

**Tender specifications**  
<http://ausschreibungstexte.siemens.com/tiplv>



last modified:

29.07.2015