

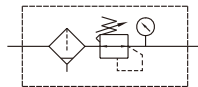
# MAFR401 series

**AIR UNIT (F.R.UNIT)**



Option: **MP41**

## Symbol



## Specification

Model	MAFR401		
Bore No.	8A	10A	15A
Port size	1/4	3/8	1/2
Medium	Air		
Operating pressure range (*)	0.05~1.5 MPa		
Proof pressure	2 MPa		
Regulated pressure range	Standard type: 0.1~0.85 MPa		
	High pressure type: 0.1~1.5 MPa		
Ambient temperature	- 5~+60°C (No freezing)		
Filter element	Standard: 40μm, Option: 5μm		
Drain capacity	70 cm <sup>3</sup>		
Attachment	Pressure gauge(PG-20),L-type bracket		
Weight	800 g		

\* Standard unit contains semi-auto-drain function when operating pressure below 0.05 MPa.

\* Choose auto-drain FMRF300, the pressure range is 0.15~1 MPa.

## Order example

**MAFR401 - 8A - □ - HA□P - E1 - □ - HT - □**

MODEL

PORT SIZE

8A: 1/4  
10A: 3/8  
15A: 1/2

EXTERIOR COLOR

Blank: Black & silver  
W: Gray & white

(Option)  
PRESSURE SWITCH

E1: MP41P-022  
E2: MP41P-022-QD  
E5: MP41P-042  
E6: MP41P-042-QD

\* Refer to page 5-12 for MP41.

FILTER ELEMENT  
Blank: 40μm  
5u: 5μm

(Option)  
SHUTOFF VALVE

HT: MVHT-400-3H  
\* Refer to page 4-49.

PORT THREAD  
Blank: Rc thread  
G: G thread  
NPT: NPT thread

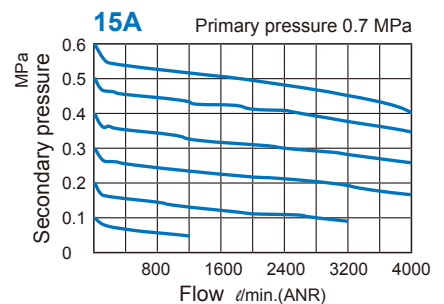
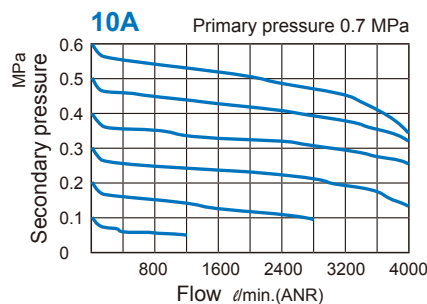
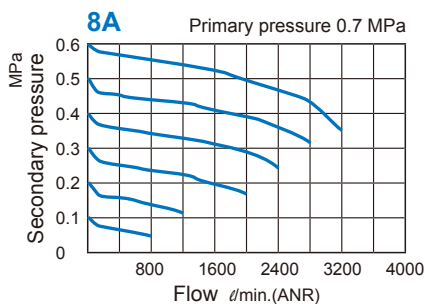
(Option) ACCESSORIES

Type	Pressure gauge	Drain valve	Pressure switch
Blank: Standard type	Blank: Pressure gauge (PG-20) C: External pressure gauge (PG-40) + Gauge adapter set (A-MAR401) A: Gauge adapter set (A-MAR401)	Blank: Semi-auto drain D: Auto drain valve (FMRF300)	P: Pressure switch (MPS series)
H: High pressure type	C: External pressure gauge (PG-40) + Gauge adapter set (A-MAR401) A: Gauge adapter set (A-MAR401)	Blank: Semi-auto drain	

\* PG-40 (C) and MP41 (E\*) can not be selected at the same time.

\* MAFR401-W pressure gauge with set (A-MAR302).

## Flow feature

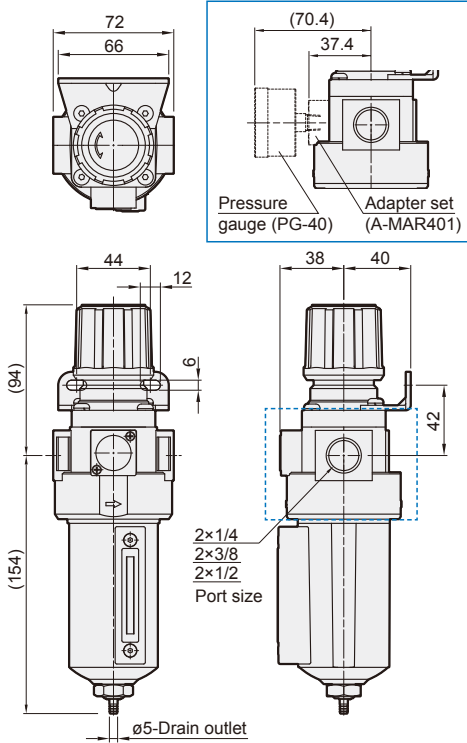


# MAFR401/MAFR401-HT Dimensions



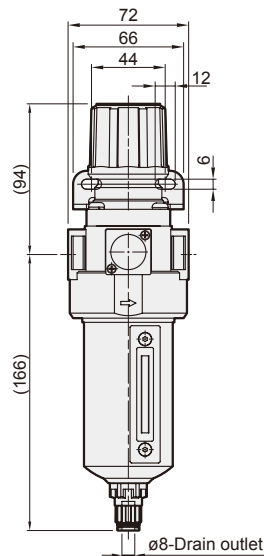
**AIR UNIT (F.R.UNIT)**

## Accessories



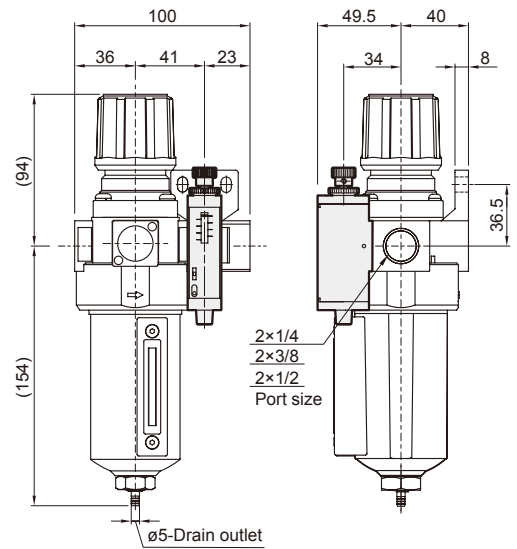
### MAFR401-D\*

Auto drain valve



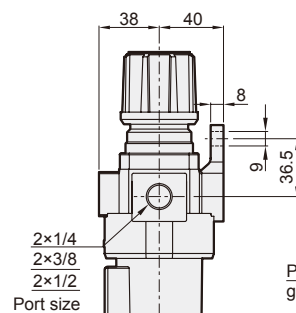
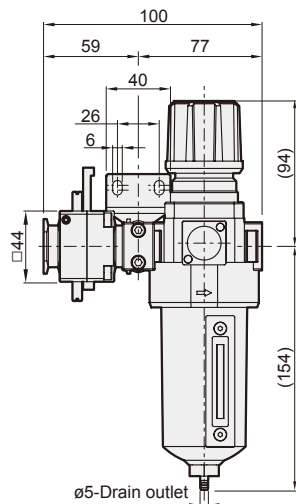
### MAFR401-P

MPS Series  
pneumatic pressure switch



### MAFR401-HT

With shutoff valve (MVHT-400)



## Accessories

