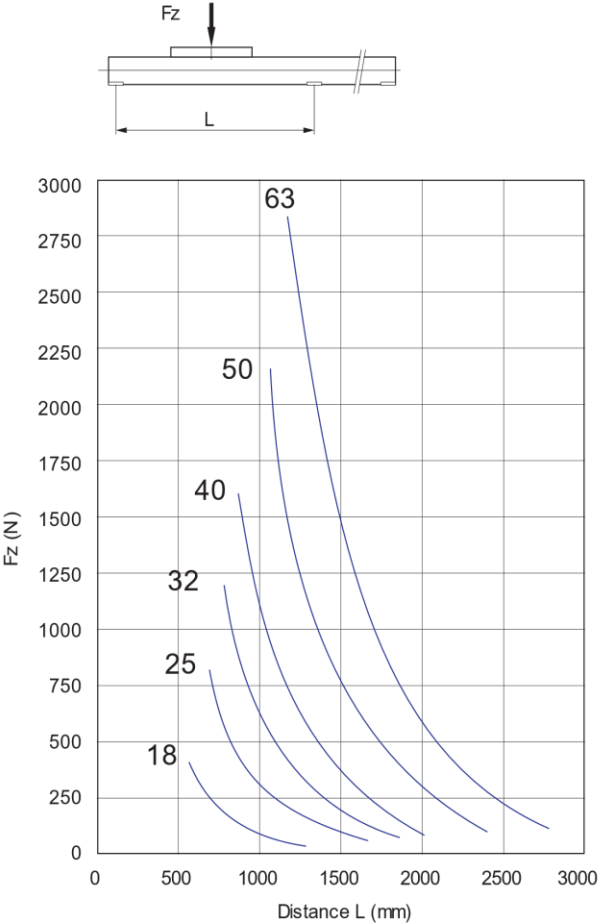
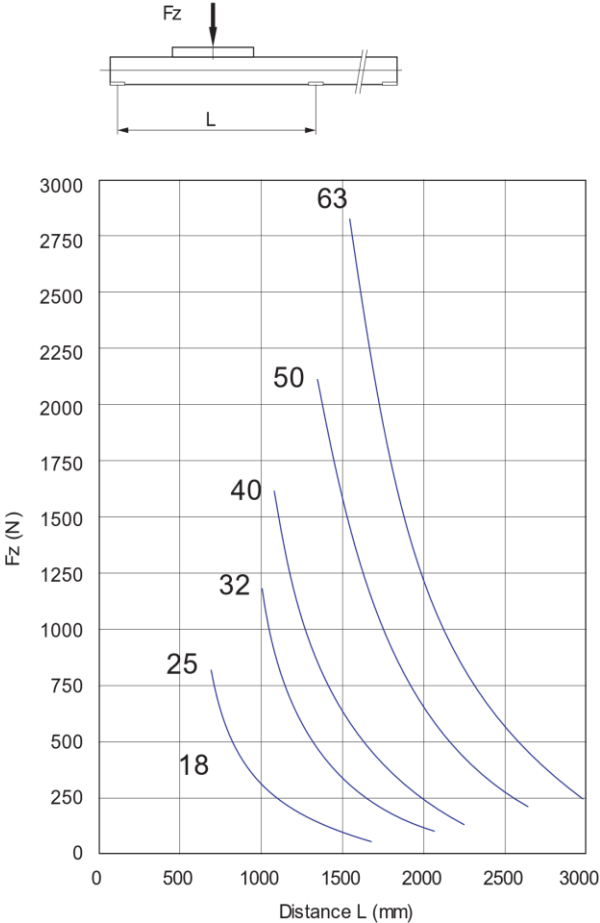


Rodless cylinders

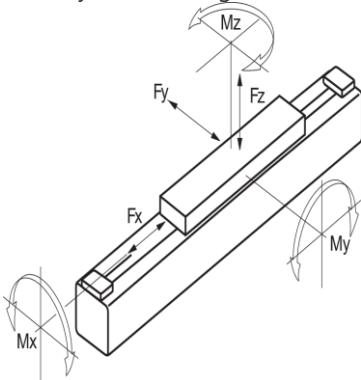
Fz with a deflection of 0,5 mm



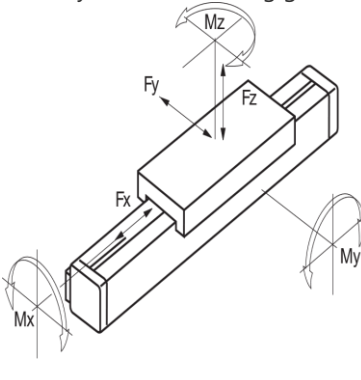
Fz with a deflection of 1,0 mm



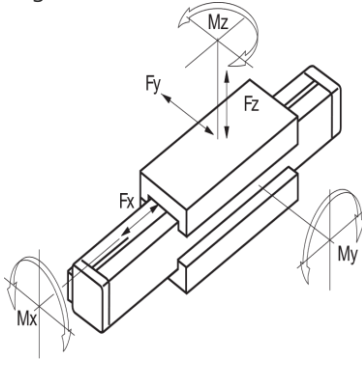
Cylinder with guide
Short cylinders with guides



Cylinder with sliding guide
Short cylinder with sliding guide

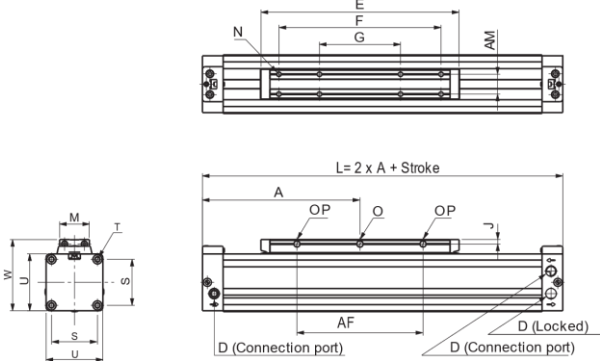


Cylinder with double sliding guide for large loads

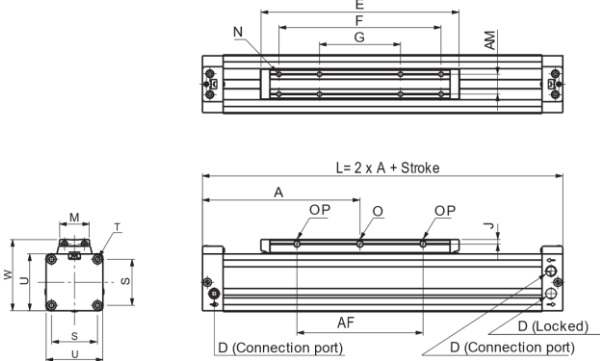


| Type | Fy | Fz | Mx | My | Mz |
|--|--------|--------|----------|----------|----------|
| Piston diameter 18 mm | | | | | |
| Cylinder with guide | | 190 N | 0.6 Nm | 3.0 Nm | 1.0 Nm |
| Cylinder with sliding guide | 250 N | 220 N | 3.0 Nm | 6.0 Nm | 6.0 Nm |
| Cylinder with double sliding guide for large loads | 375 N | 330 N | 4.0 Nm | 9.0 Nm | 9.0 Nm |
| Short cylinders with guides | | 90 N | 0.2 Nm | 1.7 Nm | 0.2 Nm |
| Short cylinder with sliding guide | 65 N | 104 N | 0.8 Nm | 3.0 Nm | 3.0 Nm |
| Piston diameter 25 mm | | | | | |
| Cylinder with guide | | 300 N | 1.2 Nm | 13.0 Nm | 4.0 Nm |
| Cylinder with sliding guide | 450 N | 470 N | 8.0 Nm | 18.0 Nm | 20.0 Nm |
| Cylinder with double sliding guide for large loads | 875 N | 705 N | 12.0 Nm | 30.0 Nm | 30.0 Nm |
| Short cylinders with guides | | 140 N | 0.4 Nm | 2.6 Nm | 0.8 Nm |
| Short cylinder with sliding guide | 135 N | 220 N | 1.0 Nm | 4.8 Nm | 4.8 Nm |
| Piston diameter 32 mm | | | | | |
| Cylinder with guide | | 450 N | 2.3 Nm | 25.0 Nm | 7.0 Nm |
| Cylinder with sliding guide | 590 N | 600 N | 15.0 Nm | 35.0 Nm | 40.0 Nm |
| Cylinder with double sliding guide for large loads | 1035 N | 900 N | 27.0 Nm | 67.0 Nm | 67.0 Nm |
| Short cylinders with guides | | 205 N | 0.8 Nm | 5.0 Nm | 1.4 Nm |
| Short cylinder with sliding guide | 170 N | 272 N | 2.3 Nm | 10.8 Nm | 10.8 Nm |
| Piston diameter 40 mm | | | | | |
| Cylinder with guide | | 750 N | 5.5 Nm | 50.0 Nm | 13.0 Nm |
| Cylinder with sliding guide | 1150 N | 1150 N | 28.0 Nm | 65.0 Nm | 75.0 Nm |
| Cylinder with double sliding guide for large loads | 2175 N | 1725 N | 42.0 Nm | 110.0 Nm | 110.0 Nm |
| Short cylinders with guides | | 345 N | 1.9 Nm | 10.0 Nm | 2.6 Nm |
| Short cylinder with sliding guide | 365 N | 528 N | 3.6 Nm | 18.0 Nm | 18.0 Nm |
| Piston diameter 50 mm | | | | | |
| Cylinder with guide | | 1025 N | 10.0 Nm | 90.0 Nm | 23.0 Nm |
| Cylinder with sliding guide | 1550 N | 1400 N | 40.0 Nm | 120.0 Nm | 120.0 Nm |
| Cylinder with double sliding guide for large loads | 2625 N | 2100 N | 80.0 Nm | 220.0 Nm | 220.0 Nm |
| Short cylinders with guides | | 470 N | 3.5 Nm | 18.0 Nm | 4.6 Nm |
| Short cylinder with sliding guide | 440 N | 640 N | 6.9 Nm | 36.0 Nm | 36.0 Nm |
| Piston diameter 63 mm | | | | | |
| Cylinder with guide | | 1450 N | 16.0 Nm | 165 Nm | 47.0 Nm |
| Cylinder with sliding guide | 2300 N | 2000 N | 75.0 Nm | 200 Nm | 250.0 Nm |
| Cylinder with double sliding guide for large loads | 3900 N | 3000 N | 112.0 Nm | 370 Nm | 370.0 Nm |
| Short cylinders with guides | | 665 N | 5.6 Nm | 33.0 Nm | 9.4 Nm |
| Short cylinder with sliding guide | 650 N | 890 N | 9.8 Nm | 60.0 Nm | 60.0 Nm |

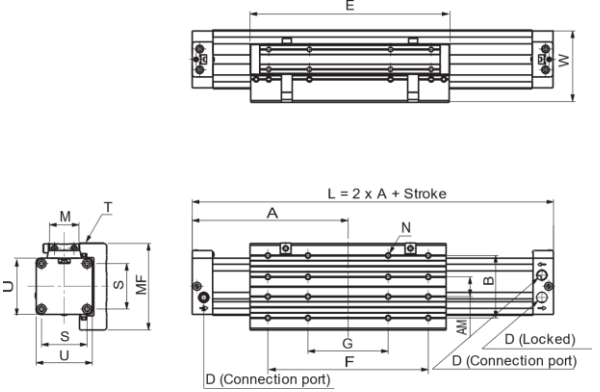
Cylinder with guide



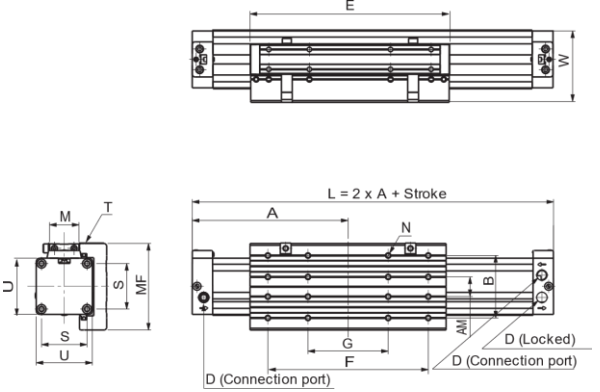
Short cylinders with guides



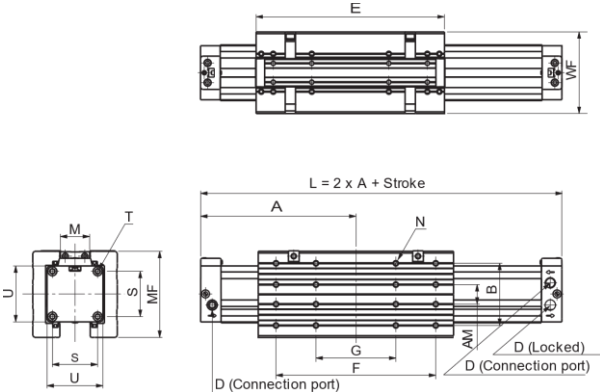
Cylinder with sliding guide



Short cylinder with sliding guide



Cylinder with double sliding guide for large loads



| Piston diameter | 18 mm | 25 mm | 32 mm | 40 mm | 50 mm | 63 mm |
|-----------------|--------|------------|------------|-------------|-------------|-------------|
| A | 80 | 100 | 120 | 150 | 180 | 215 |
| A1 | 57.5 | 67.5 | 77.5 | 95 | 105 | 125 |
| AF | 50 | 70 | 100 | 140 | 180 | 230 |
| AF1 | 15 | 19 | 35 | 50 | 46 | 70 |
| AM | 10 | 13 | 16 | 22 | 29 | 40 |
| B | 35 | 45 | 55 | 70 | 85 | 105 |
| D x deep | M5 x 6 | G 1/8" x 8 | G 1/8" x 8 | G 1/4" x 12 | G 1/4" x 12 | G 3/8" x 12 |
| E | 103 | 131 | 171 | 220 | 280 | 333 |
| E1 | 58 | 66 | 86 | 110 | 130 | 153 |
| F | 75 | 100 | 140 | 180 | 220 | 280 |
| F1 | 30 | 35 | 55 | 70 | 70 | 100 |
| G | | 50 | 70 | 90 | 110 | 140 |
| J | 3 | 3.5 | 4.5 | 5 | 6.5 | 8 |
| M | 15.5 | 20 | 25 | 33 | 42 | 54 |
| MF | 50 | 66 | 80 | 97 | 116 | 136 |
| N x deep | M3 x 7 | M4 x 7 | M5 x 9 | M6 x 10 | M8 x 12.5 | M8 x 1.5 |
| O | 3.5 | 4.5 | 5.5 | 7 | 7 | 9 |
| OP | 3.4 | 4.4 | 5.3 | 6.8 | 6.8 | 8.8 |
| S | 23.5 | 33 | 41 | 51 | 63 | 78 |
| T x deep | M3 x 7 | M4 x 9 | M5 x 10 | M6 x 12 | M8 x 12 | M8 x 12 |
| U | 30 | 42 | 52 | 63 | 78 | 93 |
| W | 39 | 53 | 65 | 79 | 96 | 113.5 |
| WF | 48 | 64 | 78 | 95 | 114 | 134 |
| Damping | 15 | 18 | 24 | 34 | 40 | 49 |