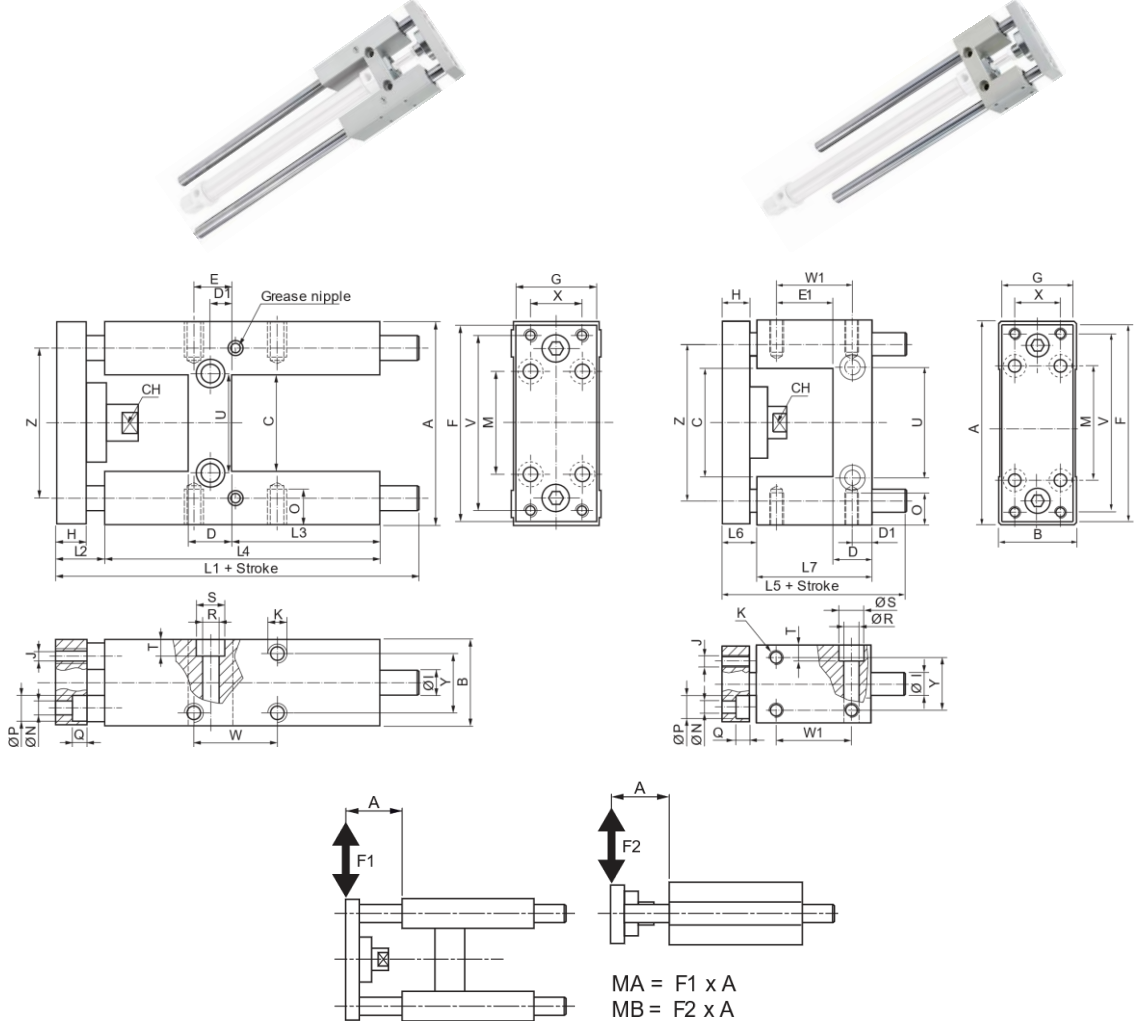


# Guiding units for cylinders ISO 6432

Type H

Type C



Type H with ball guide	MA / MB, Nm	Type H with sliding guide	MA / MB, Nm	Type C with sliding guide	MA / MB, Nm	Max Stroke, mm
12 & 16 mm	9/8	12 & 16 mm	6/5	12 & 16 mm	6/5	250
20 & 25 mm	11/10	20 & 25 mm	19/17	20 & 25 mm	13/12	320

Piston diameter, mm	A	B	C	CH	D	D1	E	E1	F	G	H	I	J	K	L1	L2	L3
12 & 16	69	30	30	8	12	6.0	8	19.5	66	29	10	10(8)*	M4	M4	123.5	29	46
20 & 25	79	34	37	12	17	8.5	15	24.25	78	32	12	12(10)*	M5	M6	166	15	58

\* - with ball guide

Piston diameter, mm	L4	L5	L6	L7	M	N	O	P	Q	R	S	T	U	V	W	W1	X	Y	Z
12 & 16	68	66.5	13	38	32	4.5	6	8	4.5	5.5	9	5.5	24	58	18.0	25.0	18	22	49.5
20 & 25	108	83.0	15	48	38	5.5	9	10	7.5	6.5	11	6.5	38	68	32.5	32.5	20	23	58.0

