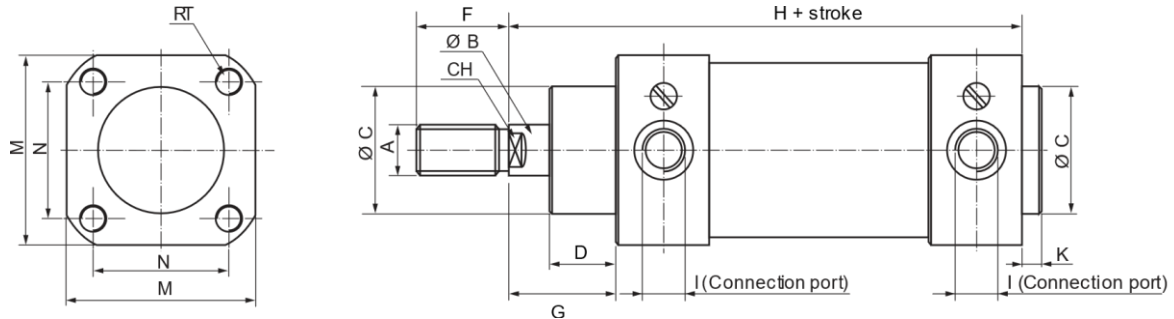


Cylinders ISO 15552



Piston diameter	32 mm	40 mm	50 mm	63 mm	80 mm	100 mm	125 mm
A	M 10x1.25	M 12x1.25	M 16x1.5	M 16x1.5	M 20x1.5	M 20x1.5	M 27x2
B	12	16	20	20	25	25	32
C	30	35	40	45	45	55	60
D	19	21	27	27	33	36	40
D (stainless steel)	18	22	25.5	25	35	38	46
F	22	24	32	32	40	40	54
G	26	30	37	37	46	51	65
H	120	135	143	158	174	189	225
I	G 1/8"	G 1/4"	G 1/4"	G 3/8"	G 3/8"	G 1/2"	G 1/2"
K	3	3.5	3.5	4	4	4	5
K (stainless steel)	4	4	4	4	4	4	6
M	46.5	54	67	75	93	110	140
M (stainless steel)	50	55	65	75	95	110	140
N	32.5	38	46.5	56.5	72	89	110
CH	10	13	17	17	22	22	27
RT	M 6	M 6	M 8	M 8	M 10	M 10	M 12

Piston diameter	160 mm	200 mm	250 mm	320 mm
A	M 36x2	M 36x2	M 42x2	M 48x2
B	40	40	50	63
C	65	75	90	110
D	50	65	75	90
D (stainless steel)				
F	72	72	84	96
G	80	95	105	120
H	260	275	305	340
I	G 3/4"	G 3/4"	G 1"	G 1"
K	6	6	8	10
K (stainless steel)	6	6	8	10
M	180	220	270	350
M (stainless steel)				
N	140	175	220	270
CH	36	36	46	55
RT	M 16	M 16	M 20	M 24