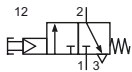


**Technical details**

<b>Connection</b>	G1/8
<b>Nominal size</b>	3 mm
<b>Temperature range</b>	-10°C ... +70°C
<b>Medium</b>	Filtered, oil-free and dried compressed air according to ISO 8573-1:2010, Class 7:2:4, instrument air, free of aggressive additives. Alternatively the pressure dew point must be at least 10°C below lowest occurring ambient temperature.
<b>Materials</b>	Body: Al (anodized), seals: NBR and POM, inner parts: Al, stainless steel and brass



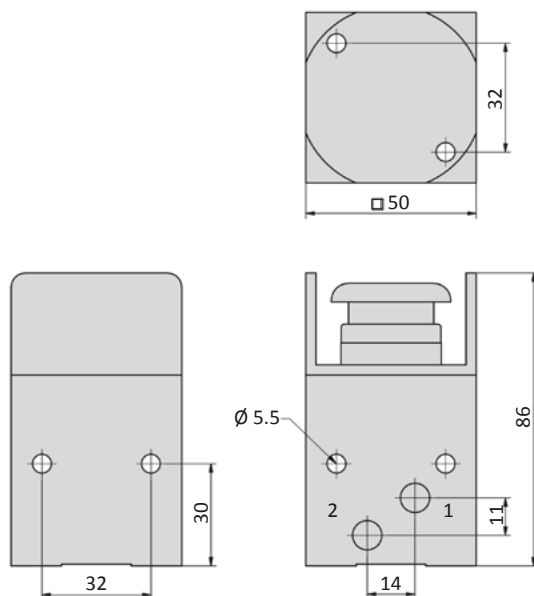
Servo-operated spool valve with low actuating force. The actuating is constantly pilot air supported and is venting\* in resting position on a small amount of air. \*(through a gap between holder and body)

**3/2-way-Valves**


ST-18-310  
3/2-way, mechanical spring return,  
actuator push button

**Technical data**

<b>Model-no.:</b>	ST-18-310
<b>Operating pressure (bar)</b>	3 ... 10
<b>Flow rate (NI/min)</b>	220
<b>Actuating force at 6 bar (N)</b>	3.5
<b>Air consumption (NI/min)</b>	2.5
<b>Weight (kg)</b>	0.400

**Dimensions**
**ST-18-310**


- 1 = pressure inlet
- 2 = outlets