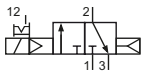


Technical details

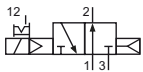
Connection	G1/8
Nominal size	4 mm
Temperature range	-10°C ... +70°C
Medium	Filtered, oil-free and dried compressed air according to ISO 8573-1:2010, Class 7:2:4, instrument air, free of aggressive additives. Alternatively the pressure dew point must be at least 10°C below lowest occurring ambient temperature.
Materials	Body: Al (anodized), plastic, seals: NBR, inner parts: Al, steel and plastic
Protection	IP 65 according to EN 60529
	Valves in accordance with 2014/34/EU (ATEX) available. (Chapter 13)



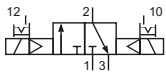
Electrically operated spool valve. The manual override is detent and is operated by screwdriver.

3/2-way valves


M-04-310-HN-xxx
3/2-way, single solenoid, air spring return, NC

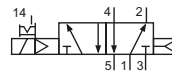


MO-04-310-HN-xxx
3/2-way, single solenoid, air spring return, NO

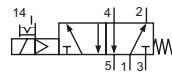


M-04-320-HN-xxx
3/2-way, double solenoid

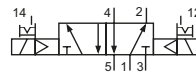
Please complete: xxx = electrical option

5/2- and 5/3-way valves


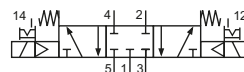
M-04-510-HN-xxx
5/2-way, single solenoid, air spring return



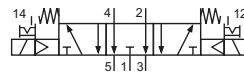
M-04-511-HN-xxx
5/2-way, single solenoid, mechanical spring return



M-04-520-HN-xxx
5/2-way, double solenoid



M-04-530-HN-xxx
5/3-way, center position closed



M-04-533-HN-xxx
5/3-way, center position exhausted

Electrical options

Nominal voltage	Power consumption	Specifics	Plug connection*1	-xxx Manual override on same side of ports	
				2 or 2 and 4	1, 3 or 1, 3 and 5
12 V DC	4.2 W		Form B industrial norm	-441	-411
12 V DC	2.2 W	max. 8 bar	Form B industrial norm	-461	-431
24 V DC	4.2 W		Form B industrial norm	-442	-412
24 V DC	4.8 W		M 12	-O42	-O12
24 V DC	2.2 W	max. 8 bar	Form B industrial norm	-462	-432
24 V DC	2.5 W	max. 8 bar	M 12	-O62	-O32
24 V AC	7/4 VA		Form B industrial norm	-452	-422
115 V AC	7/4 VA		Form B industrial norm	-456	-426
230 V AC	7/4 VA		Form B industrial norm	-457	-427

*1 Plug socket not included, suitable plug sockets see page 4-38.

Series M-04

Technical data

Model-no.:	M-04-310	MO-04-310	M-04-320	M-04-510	M-04-511	M-04-520	M-04-530	M-04-533
Operating pressure* (bar)	2 ... 10	2 ... 10	2.5 ... 10	2,5 ... 10	3 ... 10	2,5 ... 10	3 ... 10	3 ... 10
Pilot pressure* (bar)	2 ... 10	2 ... 10	2.5 ... 10	2,5 ... 10	3 ... 10	2,5 ... 10	3 ... 10	3 ... 10
Flow rate (Nl/min)	360	360	360	360	360	360	360	360
Response time (ms) at 6 bar	on: 13 off: 16	on: 13 off: 16	on: 12 off: 12	on: 12 off: 14	on: 13 off: 16	on: 12 off: 12	on: 15 off: 22	on: 15 off: 22
Weight (kg)	0.185	0.185	0.315	0.210	0.220	0.335	0.335	0.335

* max. 8 bar at 2.2 W and 2.5 W

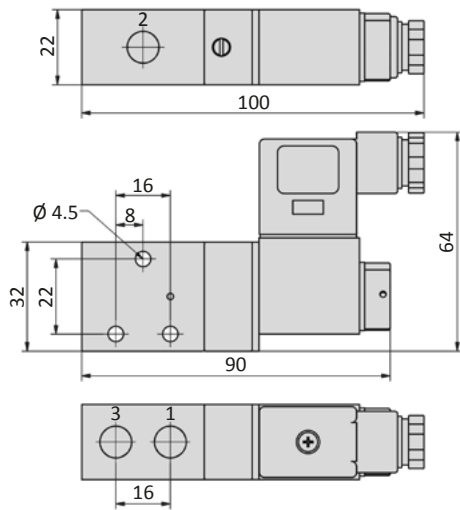
Accessories



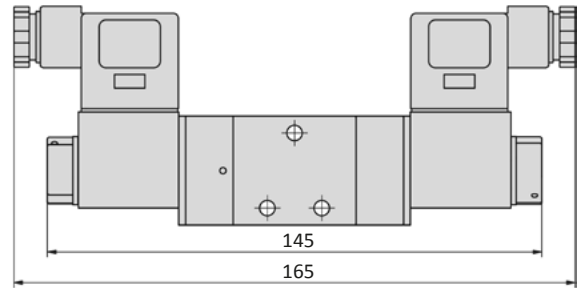
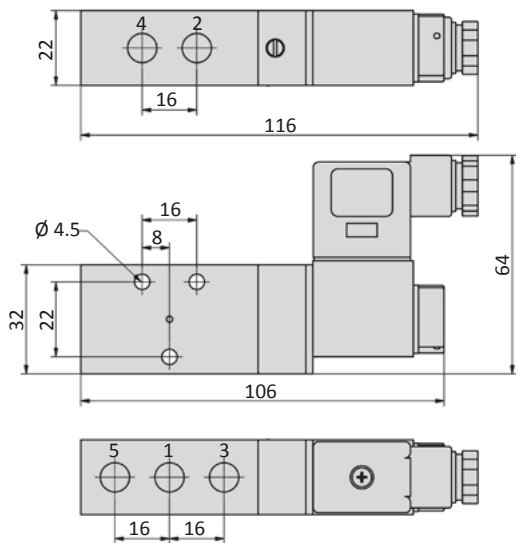
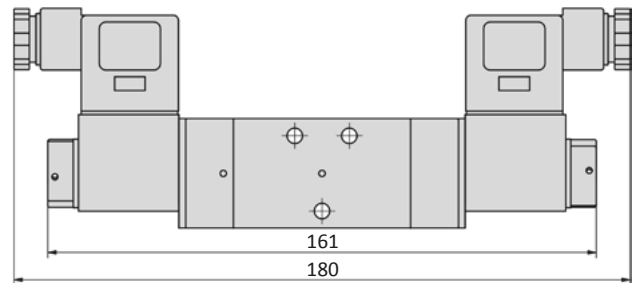
Plug sockets: page 4-38



Manifolds: page 4-06

Dimensions
M-04-310-HN, MO-04-310-HN*


*For the NO version MO-04 the ports 1 and 3 are inverted.

M-04-320-HN

4
M-04-510-HN, M-04-511-HN

M-04-520-HN, M-04-53x-HN


- 1 = pressure inlet
- 2,4 = outlets
- 3,5 = exhausts

Plug socket (not included in scope of delivery) can be repositioned by 180°.
Solenoid coil can be repositioned by 4 x 90°.

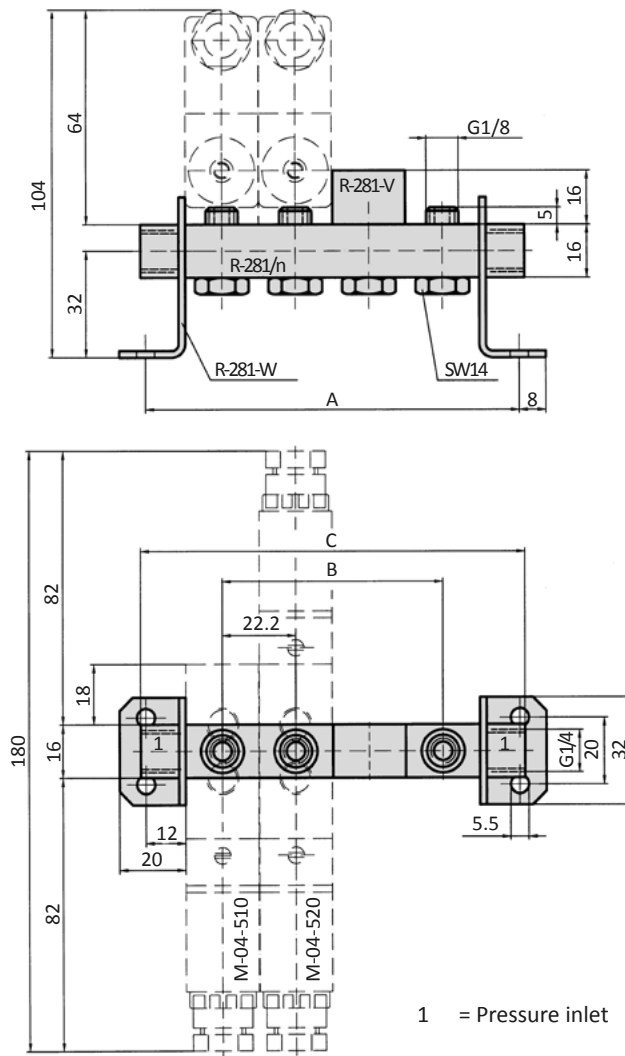
Series M-04

General information

The R-281/n manifold is suitable for the M-04 valve series. As well available are blind plates R-281-V for blank stations and mounting brackets R-281-W (pair). Hollow bolts and gaskets are included.



Dimensions



Model-no.:	A	B	C	Weight (kg)
R-281/2	68.4	22.2	72	0.053
R-281/3	90.6	44.4	94	0.074
R-281/4	112.8	66.6	116	0.095
R-281/5	135	88.8	138	0.116
R-281/6	157.2	111	160	0.137
R-281/8	201.6	155.5	204	0.179
R-281/10	246	199.8	248	0.222