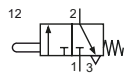


**Technical details**

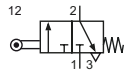
<b>Connection</b>	M5
<b>Nominal size</b>	2 mm
<b>Temperature range</b>	-10°C ... +70°C
<b>Medium</b>	Filtered, oil-free and dried compressed air according to ISO 8573-1:2010, Class 7:2:4, instrument air, free of aggressive additives. Alternatively the pressure dew point must be at least 10°C below lowest occurring ambient temperature.
<b>Materials</b>	Body: Al (anodized), seals: NBR, inner parts: stainless steel and brass, stem: stainless steel (E), plastic (ER, EL), roller: stainless steel (ER), plastic (EL), lever: brass



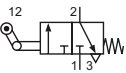
Mechanically operated seat valve.

**3/2-way-Valves**


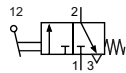
**E-25-310**  
3/2-way, mechanical spring return, stem operated



**ER-25-310**  
3/2-way, mechanical spring return, roller operated



**EL-25-310**  
3/2-way, mechanical spring return, roller operated with free return



**EH-25-310**  
3/2-way, mechanical spring return, hand lever operated

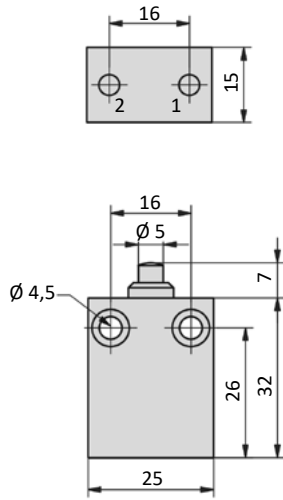
**Technical data**

Model-no.:	E-25-310	ER-25-310	EL-25-310	EH-25-310
<b>Operating pressure (bar)</b>	0 ... 12	0 ... 12	0 ... 12	0 ... 12
<b>Flow rate (NI/min)</b>	80	80	80	80
<b>Actuating force at 6 bar (N)</b>	15	8	8	4,5
<b>Pre-stroke (mm)</b>	1,25	1,5	1,5	1,5
<b>Actuation stroke (mm)</b>	1,25	1,5	1,5	1,5
<b>Pre actuation stroke (mm)</b>	1,5	1,2	1,2	1,2
<b>Weight (kg)</b>	0,035	0,046	0,044	0,036

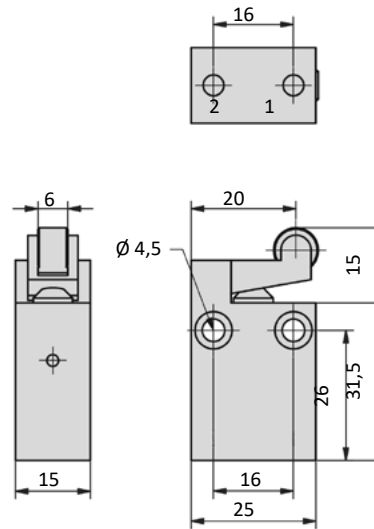
# Series E-25

## Dimensions

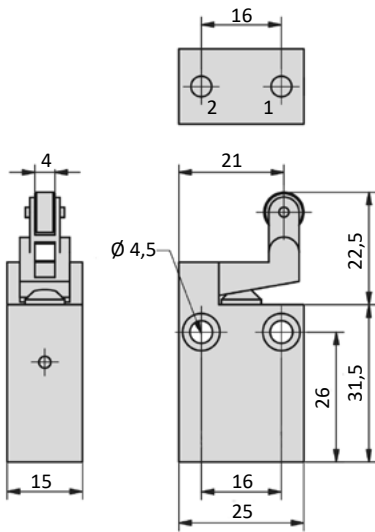
E-25-310



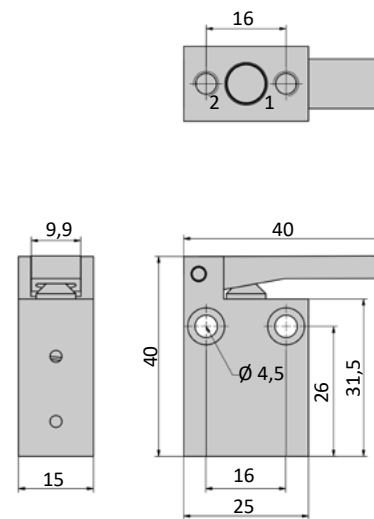
ER-25-310



EL-25-310



EH-25-310



1 = pressure inlet  
2 = outlet