





Direct-acting 2/2 way solenoid valve

- Block screwed coil system
- Up to DN 12
- Brass or stainless steel valve body
- Wide range of applications



Product variants described in the data sheet may differ from the product presentation and description.

Can be combined with

	Type 2518 Cable plug DIN EN 175301-803 - Plug form A	▶
	Type 1087 Timer	▶

Type description

This direct-acting plunger solenoid valve Type 0256 can be used in many ways. It is delivered with brass or stainless steel bodies for a wide range of orifices and connections.

Table of contents

1. General technical data	3
2. Circuit functions	4
3. Materials	4
3.1. Chemical Resistance Chart – Bürkert resistApp.....	4
3.2. Material specifications	4
4. Dimensions	5
5. Ordering information	6
5.1. Bürkert eShop – Easy ordering and quick delivery.....	6
5.2. Bürkert product filter	6
5.3. Ordering chart.....	7
Brass body AF12-56 mm	7
Brass body 74 mm.....	8
Stainless steel body 74 mm.....	8
5.4. Ordering chart accessories.....	9
Mounting set brass body	9
Mounting set stainless steel body	9
Cable plug Type 2518, form A according to DIN EN 175301 - 803	10
Timer Type 1087, form A according to DIN EN 175301 - 803	10

1. General technical data

Product properties	
Dimensions	Detailed information can be found in chapter "4. Dimensions" on page 5.
Material	
Seal	NBR, FKM, others on request
Body	Brass (Body C with stainless steel seat 1.4112, except NBR version) or stainless steel 1.4581
Pressure valves	Gauge pressures with respect to the prevailing atmosphere pressure
Performance data	
K _v value water	Measured at +20 °C, 1 bar pressure at valve inlet and free outlet
Switching time ¹⁾	
Opening	Pressure build-up 0 to 90 %
Closing	Pressure decay 100 to 10 %
Electrical data	
Duty cycle	100 % continuous rating
Voltage tolerance	± 10 %
Medium data	
Operating medium	
NBR	Neutral media, compressed air, water, oil
FKM	Hot air, hot oils, oils with additives
All materials	Technical vacuum
Medium temperature	
NBR (EPDM on request)	- 10 °C...+ 80 °C
FKM	- 10 °C...+ 130 °C
Viscosity (max.)	21 mm ² /s
Process/Port connection & communication	
Electrical connection	Cable plug for Ø 7 mm cable (supplied as standard) ^{2.)}
Approvals and certificates	
Degree of protection	IP65 with cable plug
Environment and installation	
Installation position	As required, preferably with actuator upright
Ambient temperature	Max. + 55 °C

1.) Measured with water at valve outlet at 6 bar and +20 °C

2.) Cable plug Type 2518 (supplied as standard) acc. to DIN EN 175 301 - 803, form A

2. Circuit functions

Circuit functions	Description
	Type: A, solenoid valve 2/2 way Direct-acting Normally closed

3. Materials

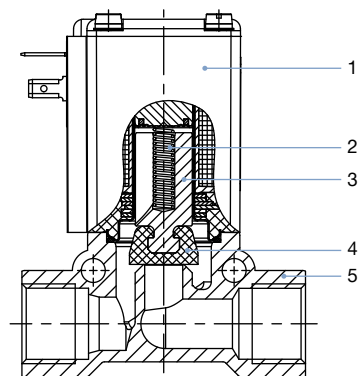
3.1. Chemical Resistance Chart – Bürkert resistApp

Bürkert resistApp – Chemical Resistance Chart

You want to ensure the reliability and durability of the materials in your individual application case? Verify your combination of media and materials on our website or in our resistApp.

[Start Chemical Resistance Check](#)

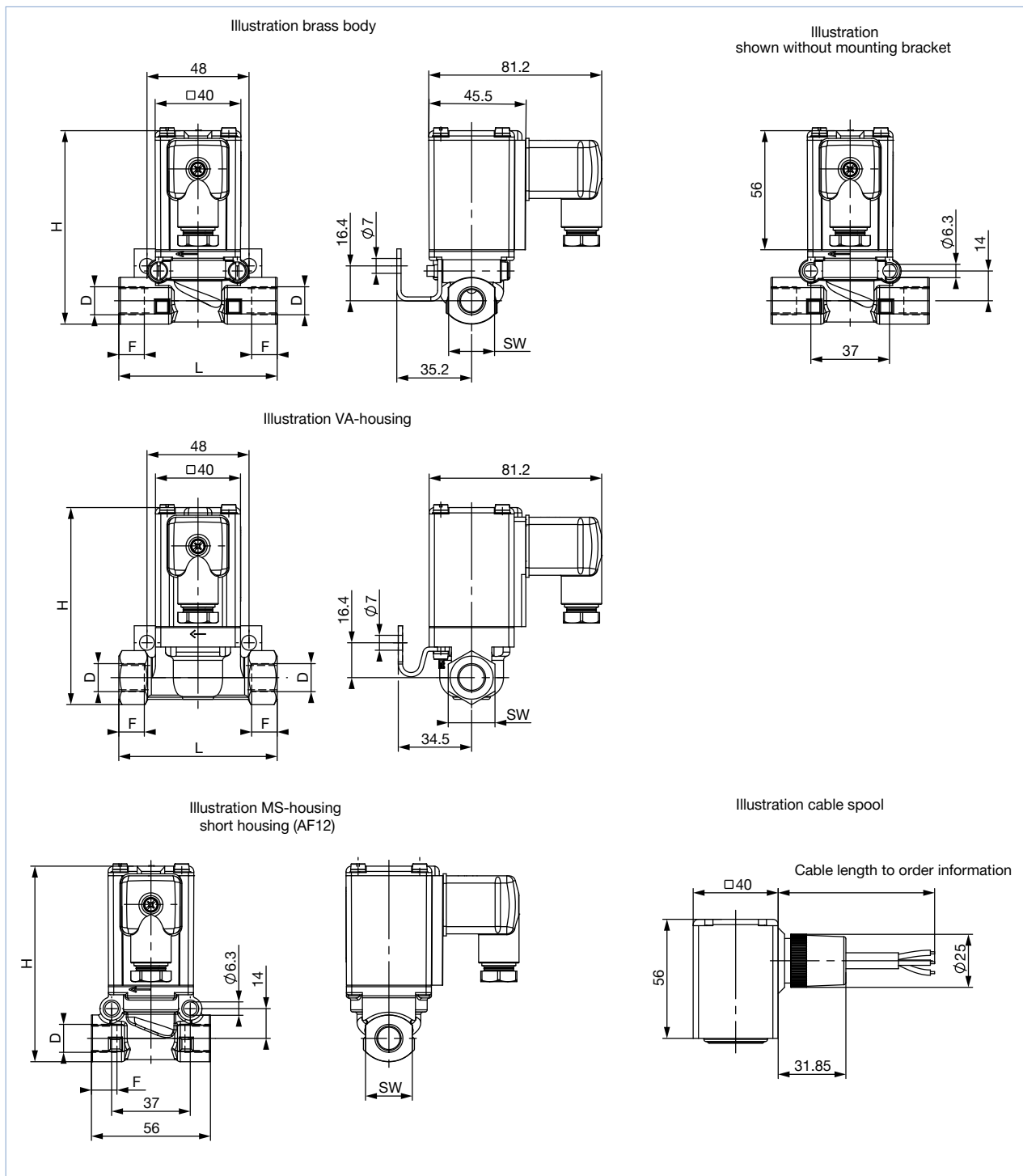
3.2. Material specifications



No.	Element	Material
1	Coil	Epoxy
2	Spring	Stainless steel 1.4310
3	Core	Stainless steel 1.4105
4	Seal	NBR/FKM (EPDM on request)
5	Body	Brass, stainless steel 1.4581

4. Dimensions

Note:
Dimensions in mm



Body material	Connection D	F [mm]	H [mm]	L [mm]	SW [mm]
Brass	G ¼	12	91	74.5	22
Brass	G ⅜	12	91	74.5	22
Brass	G ½	14	94	74.5	27

Body material	Connection D	F [mm]	H [mm]	L [mm]	SW [mm]
Stainless steel	G ¼	12	92	74.5	22
Stainless steel	G ½	14	95.6	74.5	27
Brass	G ¼	12	92	56	22
Brass	G ½	12	92	56	22

5. Ordering information

5.1. Bürkert eShop – Easy ordering and quick delivery



Bürkert eShop – Easy ordering and fast delivery

You want to find your desired Bürkert product or spare part quickly and order directly? Our online shop is available for you 24/7. Sign up and enjoy all the benefits.

[Order online now](#)

5.2. Bürkert product filter



Bürkert product filter – Get quickly to the right product

You want to select products comfortably based on your technical requirements? Use the Bürkert product filter and find suitable articles for your application quickly and easily.

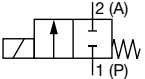
[Try out our product filter](#)

5.3. Ordering chart

Note:

- A cable plug is included in the delivery.
- The mounting bracket is included in the delivery for versions with VAR KC74.
- The mounting bracket can be ordered separately (see “5.4. Ordering chart accessories” on page 9).
- Body C with stainless steel seat 1.4112, except NBR version

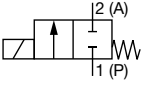
Brass body AF12 - 56 mm

Circuit function	Port connection	Orifice [mm]	K _v value water ^{1.)} [m ³ /h]	Pressure range ^{2.)}			Article no. per voltage/frequency [V/Hz]				
				DC		AC		024/DC	024/50	110/50	230/50
				for gases and liquids	[bar]	for gases	for liquids				
A, solenoid valve 2/2 way Direct-acting Normally closed 	Seal material NBR										
	G ¼	3	0.25	0...10	0...22	0...22	145725	045819	–	145803	
		4	0.5	0...6	0...16	0...12	145727	145728	145730	145731	
		5	0.65	0...2.5	0...12	0...6	145747	145748	145749	145750	
		6	0.8	0...2	0...8	0...4	145759	145761	–	145764	
	G ⅜	3	0.25	0...10	0...22	0...22	–	–	–	–	
		4	0.5	0...6	0...16	0...12	145733	145734	145735	145736	
		5	0.65	0...2.5	0...12	0...6	145752	145753	–	145755	
		6	0.8	0...2	0...8	0...4	145766	145767	145768	145769	
	Seal material FKM	G ¼	3	0.25	0...10	0...22	0...22	047627	–	–	–
			4	0.5	0...6	0...16	0...12	044092	041014	–	056970
			5	0.65	0...2.5	0...12	0...6	066997	–	–	041694
			6	0.8	0...2	0...8	0...4	052431	145774	–	057189
		G ⅜	3	0.25	0...10	0...22	0...22	151023	–	–	056772
			4	0.5	0...6	0...16	0...12	145739	–	–	145740
			5	0.65	0...2.5	0...12	0...6	054157	042514	–	040942
			6	0.8	0...2	0...8	0...4	056636	145775	045873	056544
		G 1	3	0.25	0...10	0...22	0...22	043389	–	–	145783
			4	0.5	0...6	0...16	0...12	–	–	–	–
			5	0.65	0...2.5	0...12	0...6	–	–	–	–
6			0.8	0...2	0...8	0...4	–	–	–	–	

1.) Measured at +20 °C, 1 bar pressure at valve inlet and free outlet

2.) Overpressure with respect to atmospheric pressure (the pressure rates for liquids are specified on the type plate)

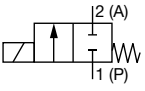
Brass body 74 mm

Circuit function	Port connection	Orifice [mm]	K _v value water ^{1.)} [m ³ /h]	Pressure range ^{2.)}			Article no. per voltage/frequency [V/Hz]			
				DC		AC for liquids	024/DC	024/50	110/50	230/50
				for gases and liquids	for gases					
A, solenoid valve 2/2 way Direct-acting Normally closed 	Seal material NBR									
	G ¼	4	0.5	0...6	0...16	0...12	055418 ₺	145729 ₺	-	054569 ₺
		6	0.8	0...2	0...8	0...4	145760 ₺	054924 ₺	054729 ₺	145763 ₺
	G ¾	6	0.8	0...2	0...8	0...4	055963 ₺	053680 ₺	-	054360 ₺
		10	1.5	0...0.4	0...1.5	0...1	145784 ₺	145805 ₺	040521 ₺	145786 ₺
	G ½	6	0.8	0...2	0...8	0...4	145771 ₺	057212 ₺	065499 ₺	145772 ₺
		8	0.9	0...0.5	0...2.5	0...1.5	040532 ₺	043220 ₺	065361 ₺	056421 ₺
		10	1.5	0...0.4	0...1.5	0...1	145788 ₺	145789 ₺	145790 ₺	120133 ₺
		12	1.8	0...0.1	0...1	0...0.5	145796 ₺	145797 ₺	-	145799 ₺
	Seal material FKM									
	G ¼	4	0.5	0...6	0...16	0...12	056010 ₺	-	-	145738 ₺
		6	0.8	0...2	0...8	0...4	043084 ₺	-	085459 ₺	054484 ₺
	G ¾	6	0.8	0...2	0...8	0...4	-	-	-	145804 ₺
		10	1.5	0...0.4	0...1.5	0...1	054672 ₺	058912 ₺	-	054673 ₺
	G ½	6	0.8	0...2	0...8	0...4	145776 ₺	051894 ₺	054696 ₺	055163 ₺
		8	0.9	0...0.5	0...2.5	0...1.5	058779 ₺	064865 ₺	-	045502 ₺
		10	1.5	0...0.4	0...1.5	0...1	145806 ₺	145792 ₺	-	054983 ₺
		12	1.8	0...0.1	0...1	0...0.5	057676 ₺	241863 ₺	-	145801 ₺

1.) Measured at +20 °C, 1 bar pressure at valve inlet and free outlet

2.) Overpressure with respect to atmospheric pressure (the pressure rates for liquids are specified on the type plate)

Stainless steel body 74 mm

Circuit function	Port connection	Orifice [mm]	K _v value water ^{1.)} [m ³ /h]	Pressure range ^{2.)}			Article no. per voltage/frequency [V/Hz]			
				DC		AC for liquids	024/DC	024/50	110/50	230/50
				for gases and liquids	for gases					
A, solenoid valve 2/2 way Direct-acting Normally closed 	Seal material NBR									
	G ¼	3	0.25	0...10	0...22	0...22	313500 ₺	-	-	-
		4	0.5	0...6	0...16	0...12	024477 ₺	079293 ₺	120222 ₺	043678 ₺
		6	0.8	0...2	0...8	0...4	-	087486 ₺	-	-
	G ½	6	0.8	0...2	0...8	0...4	051592 ₺	-	-	049949 ₺
		10	1.5	0...0.4	0...1.5	0...1	049824 ₺	-	-	046026 ₺
		12	1.8	0...0.1	0...1	0...0.5	087647 ₺	-	-	044823 ₺
	Seal material FKM									
	G ¼	4	0.5	0...6	0...16	0...12	145742 ₺	126470 ₺	-	087901 ₺
		6	0.8	0...2	0...8	0...4	050518 ₺	066200 ₺	-	025056 ₺
	G ½	6	0.8	0...2	0...8	0...4	062494 ₺	046313 ₺	-	048700 ₺
		8	0.9	0...0.5	0...2.5	0...1.5	052594 ₺	-	-	048318 ₺
		10	1.5	0...0.4	0...1.5	0...1	063671 ₺	145793 ₺	023942 ₺	048699 ₺
		12	1.8	0...0.1	0...1	0...0.5	179410 ₺	054103 ₺	059267 ₺	145802 ₺

1.) Measured at +20 °C, 1 bar pressure at valve inlet and free outlet

2.) Overpressure with respect to atmospheric pressure (the pressure rates for liquids are specified on the type plate)

DTS 1000010918 EN Version: F Status: RL (released | freigegeben | validé) printed: 27.09.2022

5.4. Ordering chart accessories

Mounting set brass body

Note:

- Included in delivery are a mounting clamp and 2 cylinder screws M5 x 35.
- Only for brass body versions
- 37 mm separation between the M5 threaded holes
- 48 mm separation between the Ø 7 bores
- Valve mounting with mounting set see [“4. Dimensions” on page 5](#)

Description	Article no.
	151287

Mounting set stainless steel body

Note:

- Included in delivery are a mounting clamp and 2 cylinder screws M4 x 6.
- Only for stainless steel versions
- 29 mm separation between the M4 threaded holes
- 48 mm separation between the Ø 7 bores
- Valve mounting with mounting set see [“4. Dimensions” on page 5](#)


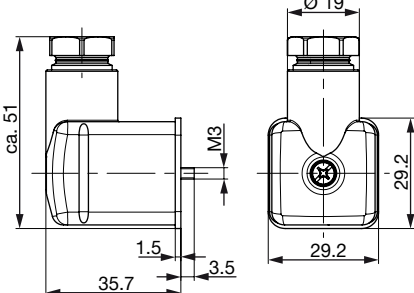
Description	Article no.
	260250

DTS 1000010918 EN Version: F Status: RL (released | freigegeben | validé) printed: 27.09.2022

Cable plug Type 2518, form A according to DIN EN 175301 - 803

Note:



Further versions see data sheet **Type 2518** ▶.

Cable plug	Dimensions	Version	Voltage	Article no.
		Without circuitry (AC/DC)	0...250 V AC/DC	314802
		With LED (AC/DC)	12...24 V AC/DC	314812
		With LED and varistor (AC/DC)	12...24 V AC/DC	314820
		With rectifier, LED and varistor	12...24 V AC/DC	314816

Timer Type 1087, form A according to DIN EN 175301 - 803

Note:

For more information on the timer, see data sheet **Type 1087** ▶.

Timer	Approval	Product code	Voltage range	Article no.
	-	1087-A-BCH-UC - 28	10...30 V AC/DC	348828
	-	1087-A-BDK-UC - 28	24...240 V AC/DC	348829
	cURus	1087-A-BCH-UC-28*PU01	10...30 V AC/DC	348906
	cURus	1087-A-BDK-UC-28*PU01	24...240 V AC/DC	348907
	-	1087-A-BFW-UC - 29	10...48 V AC/DC	348830
	-	1087-A-BDX-UC - 29	110...240 V AC/DC	348831
	cURus	1087-A-BFW-UC-29*PU01	10...48 V AC/DC	348908
	cURus	1087-A-BDX-UC-29*PU01	110...240 V AC/DC	348909

Bürkert – Close to You

For up-to-date addresses
please visit us at
www.burkert.com

DTS 1000010918 EN Version: F Status: RL (released | freigegeben | validé) printed: 27.09.2022

