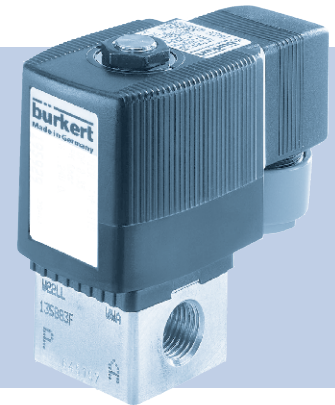


PTB 01 ATEX 2101

Device with II 2G/D Ex i approval
Geräte mit II 2G/D Ex i Zulassung
Appareils avec mode de protection II 2G/D Ex i

Example / Beispiel / Exemple

Type 6013



Operating Instructions

Bedienungsanleitung
Manuel d'utilisation

We reserve the right to make technical changes without notice.
Technische Änderungen vorbehalten.
Sous réserve de modifications techniques.

© Bürkert Werke GmbH & Co. KG, 200G- 2017

Operating Instructions 1706/11_EU-EN_008041 G / Original DE



1. OPERATING INSTRUCTIONS	4	7. INSTALLATION	12
1.1. Symbols	4	7.1. Safety instructions	12
2. AUTHORIZED USE	5	7.2. Installation of Type 6013	12
2.1. Restrictions	5	7.3. Line connector	13
2.2. Ex approval	5	8. START-UP	13
3. BASIC SAFETY INSTRUCTIONS	6	8.1. Safety instructions	13
4. GENERAL INFORMATION	7	8.2. Start-up	13
4.1. Contact addresses	7	9. MAINTENANCE, TROUBLESHOOTING	14
4.2. Warranty	7	9.1. Safety instructions	14
4.3. Information on the Internet	7	9.2. Maintenance work	14
5. APPLICATION CONDITIONS OF THE DEVICES	7	9.3. Troubleshooting	14
5.1. Use in the hazardous area	7	10. TRANSPORT, STORAGE, DISPOSAL	14
5.2. Operation only with associated valve	7		
5.3. Individual assembly, block assembly	7		
6. TECHNICAL DATA	8		
6.1. Conformity	8		
6.2. Standards	8		
6.3. Licences	8		
6.4. Operating conditions	8		
6.5. Use in potentially explosive areas of gas	9		
6.6. Use in potentially explosive areas of dust	11		

1. OPERATING INSTRUCTIONS

The operating instructions describe the entire life cycle of the device. Keep these instructions in a location which is easily accessible to every user and make these instructions available to every new owner of the device.

The operating instructions contain important safety information!

Failure to observe these instructions may result in hazardous situations.

- The operating instructions must be read and understood.

1.1. Symbols



DANGER!

Warns of an immediate danger!

- Failure to observe the warning may result in a fatal or serious injury.



WARNING!

Warns of a potentially dangerous situation!

- Failure to observe the warning may result in serious injuries or death.



CAUTION!

Warns of a possible danger!

- Failure to observe this warning may result in a medium or minor injury.

NOTE!

Warns of damage to property!

- Failure to observe the warning may result in damage to the device or the equipment.



Indicates important additional information, tips and recommendations.

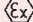


Refers to information in these operating instructions or in other documentation.

→ designates a procedure which you must carry out.

2. AUTHORIZED USE

Unauthorized use of the device Type 6013 may be dangerous to people, nearby equipment and the environment.

- The device is used exclusively as a solenoid valve for media permitted according to data sheet and for use in Group II Category 2 G (zones 1 and 2), temperature class T5 or T6 or 2 D (zones 21 and 22), temperature 80 °C (see specifications on the  approval plate).
- The device may be used only for the applications designated in chapter „5. Application conditions of the devices“ and in conjunction with third-party devices and components recommended and authorized by Bürkert.
- The applied protection class is the intrinsic safety (Ex ia) for coils with cable connection or connection via flat plug by means of device socket.
- The faultless and reliable operation of the system assumes correct transportation, correct storage and installation as well as careful operation and maintenance. Any other use is regarded as **unauthorized**. Bürkert is not liable for any resulting damage. The user alone bears the risk.
- Only use the device for its intended purpose.

2.1. Restrictions

If exporting the system/device, observe any existing restrictions.

2.2. Ex approval

The Ex approval is only valid if the modules and components authorized by Bürkert are used as described in these operating instructions.

Type 6013 may be used only in combination with the additional components released by Bürkert, otherwise the Ex approval will be voided!

If any unauthorized changes are made to the device, modules or components, the Ex approval will also be voided.

3. BASIC SAFETY INSTRUCTIONS

These safety instructions do not make allowance for any

- Contingencies and events which may arise during the installation, operation and maintenance of the devices.
- Local safety regulations – the operator is responsible for observing these regulations, also with reference to the installation personnel.



Danger of explosion!

- The device is a closed system and must not be modified in any way.

A device which has already been used in a non-hazardous “i” circuit must no longer be used in the hazardous “i” circuit, as safety cannot be guaranteed.

- Use the device in the hazardous “i” circuit only.
- Devices which were used in a non-hazardous “i” circuit must be identified after they have been removed, denoting that their use is prohibited in the hazardous “i” circuit.

Danger – high pressure!

When reaching into the system, there is an acute risk of injury.

- Before dismantling pneumatic lines and valves, turn off the pressure and vent the lines.
- During the installation, make certain the flow direction is correct.
- Observe applicable accident prevention and safety regulations for pressurized devices.



Danger of explosion caused by electrostatic charge!

If there is a sudden discharge from electrostatically charged devices or persons, there is a danger of explosion in the Ex area.

- Using suitable measures, ensure that no electrostatic charges can occur in the Ex area.
- Clean the device surface by gently wiping it with a damp or anti-static cloth only.

General Hazardous Situations.

To prevent injuries:

- Ensure that the system cannot be activated unintentionally.
- Installation and maintenance work may be carried out only by authorized technicians with the appropriate tools.
- After an interruption in the power supply or pneumatic supply, ensure that the process is restarted in a defined or controlled manner.
- The device may be operated only when in perfect condition and in consideration of the operating instructions.
- The general rules of technology must be observed for application planning and operation of the device.



Failure to observe this operating manual and its operating instructions as well as unauthorized tampering with the device release us from any liability and also invalidate the warranty covering the devices and accessories!

4. GENERAL INFORMATION

4.1. Contact addresses

Germany

Bürkert Fluid Control Systems
Sales Center
Christian-Bürkert-Str. 13-17
D-74653 Ingelfingen
Tel. + 49 (0) 7940 - 10 91 111
Fax + 49 (0) 7940 - 10 91 448
E-mail: info@de.buerkert.com

International

Contact addresses can be found on the final pages of the printed operating instructions.

And also on the Internet at: www.burkert.com

4.2. Warranty

The warranty is only valid if the device is used as intended in accordance with the specified application conditions.

4.3. Information on the Internet

The operating instructions and data sheets for Type 6013 can be found on the Internet at: www.burkert.com

5. APPLICATION CONDITIONS OF THE DEVICES

5.1. Use in the hazardous area



The device may be used either in the hazardous area of gas or dust but not in a hybrid mixture.

5.2. Operation only with associated valve

The solenoid coils may be operated only with a valve body with minimum dimensions: 32 mm x 32 mm x 10 mm made of metal or plastic. A larger valve body with better heat conductivity may be attached at any time.

5.3. Individual assembly, block assembly

- Solenoid coils type AC10 - 5: are suitable for individual and block assembly.
- Solenoid coils type AC10 - 6: are suitable only for individual assembly

NOTE!

For block assembly observe the following:

- Dimensions of the valve body: 32 mm x 32 mm x 10 mm.
- Material of the valve body: Brass (MS), plastic (PA 6 GV), stainless steel.

6. TECHNICAL DATA

6.1. Conformity

The device conforms to the EC directives according to the EC Declaration of Conformity.

6.2. Standards

The conformity with EC guidelines is guaranteed in accordance with standards:

- EN 60079-0, EN 60079-11

6.3. Licences

The EC type-examination certificate PTB 01 ATEX 2101 was issued by the

PTB (Physikalisch Technische Bundesanstalt)
Bundesallee 100
38116 Braunschweig

which also audits production (CE 102).

The EC type-examination certificate can be found on the Internet at:

www.burkert.com

6.4. Operating conditions



WARNING!

Danger of explosion!

It is highly risky to exceed the technical data indicated on the rating plate!

- Never exceed the technical data indicated on the rating plate.

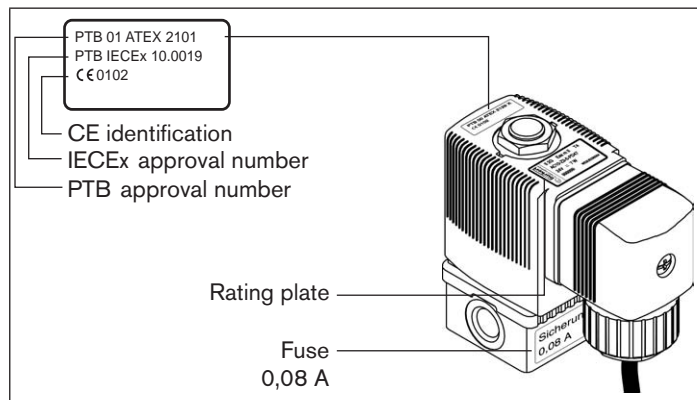


Fig. 1: Location of the rating plate

6.4.1. Rating plate

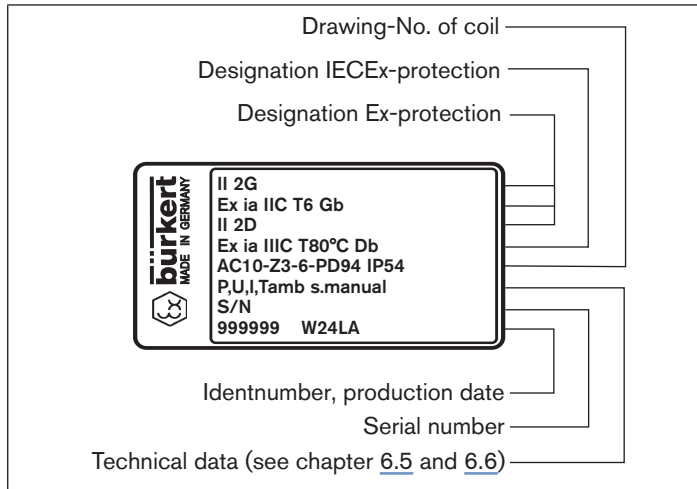


Fig. 2: Description of the rating plate

6.5. Use in potentially explosive areas of gas



The device may be used either in the hazardous area of gas or dust but not in a hybrid mixture.

6.5.1. Electrical data

Electrical data for ignition protection type Ex "ia" and gas group II C:

Coil size	L x W x H [mm]	Mass [g]	Encoding	Structure	Temp. class
5	45 x 32 x 41	160	PD89	Diodes in the coil	T6
			PE28		T5
5	78 x 32 x 41	220	PD93	Diodes in the device socket	T6
			PE29		T5
6	50 x 40 x 41	210	PD94	Diodes in the coil	T6
			PE30		T5
6	83 x 40 x 41	270	PD95	Diodes in the device socket	T6
			PE31		T5

6.5.2. Safety data

Group:	II C
Category:	2 G
Ignition protection type:	Ex ia
Temperature class:	T5 or T6
Max. permitted input voltage (U _i):	35 V
Max. permitted input current (I _i):	0.9 A
Max. permitted input power (P _i):	1.1 W (AC10 - 5) 2.1 W (AC10 -6)
Inductance (L _i):	~ 0
Capacity (C _i):	~ 0



The maximum permitted voltages and the associated short-circuit currents can be found in Table A1 in the standard EN 60079-11 for the corresponding gas group.

Value pairs for the ignition protection type Ex ia II C (example):

Voltage value [V] = U _i	15	18	20	22
Current value [A] = I _i	0.9	0.44	0.309	0.224

Voltage value [V] = U _i	25	28	30	35
Current value [A] = I _i	0.158	0.120	0.101	0.073

6.5.3. Operational data

The coils of type AC10 are available in two versions:

- Version for use with 300 Ω supply module (300 Ω barrier),
- Version for use with other authorized supply modules (e.g. 8 x remote I/O from Stahl).

Version	Resistance R20 [Ω]	Minimum clamping voltage [V]	Minimum current [mA]	Distinctive code number
Version which uses 300 Ω supply module	310	9	29	10
High-resistance version	481	11.1	23	11



The maximum voltage and current values are specified by the permitted electrical equipment.

6.5.4. Permitted ambient temperature

Montage	Temperature class	AC10 - 5	AC10 - 6
Individual assembly	T6	-40 ... +60 °C	-40 ... +60 °C
Block assembly	T6	-40 ... +60 °C	Not possible
Individual assembly	T5	-40 ... +75 °C	-40 ... +75 °C
Block assembly	T5	-40 ... +75 °C	Not possible

Protection class: For Ex "i" at least IP20 in accordance with EN 60529 (DIN VDE 0470 Part 1)

6.6. Use in potentially explosive areas of dust



The device may be used either in the hazardous area of gas or dust but not in a hybrid mixture.

6.6.1. Electrical data

Electrical data for ignition protection type Ex ia:

Coil size	L x W x H [mm]	Mass [g]	Encoding	Structure	Temp. of the coil *
5	45 x 32 x 41	160	PD89	Diodes in the coil	+80 °C
			PE28		
	78 x 32 x 41	220	PD93	Diodes in the device socket	
			PE29		
6	50 x 40 x 41	210	PD94	Diodes in the coil	
			PE30		
	83 x 40 x 41	270	PD95	Diodes in the device socket	
			PE31		

* Max. surface temperature of the coil [T]

6.6.2. Safety data

Group:	IIIC
Category:	2 D
Ignition protection type:	Ex ia
Max. surface temperature:	T = 80 °C

The coils of type AC10 - 5 and AC10 - 6 in ignition protection type "i" may be connected to circuits which have the following maximum values:

Max. permitted input voltage (U_i):	35 V
Max. permitted input current (I):	0.9 A
Max. permitted input power (P_i):	690 mW
Inductance (L_i):	~ 0
Capacity (C_i):	~ 0

Type AC10-6 is suitable for individual assembly only.

6.6.3. Permitted ambient temperature

Montage	Temperature class	AC10 - 5	AC10 - 6
Individual assembly	T6	-40 ... +60 °C	-40 ... +60 °C
Block assembly	T6	-40 ... +60 °C	Not possible

7. INSTALLATION

7.1. Safety instructions



DANGER!

Danger of explosion!

The device is a closed system. It must not be removed.

The following safety instructions must be observed:

- The surface of the device may become electrostatically charged. In potentially explosive areas the surface of the devices may be cleaned with a damp or an anti-static cloth only.
- Only specified cables and lines may be used.
- The operator must ensure an adequate strain relief.
- Observe the maximum thermal load of the installed cables and lines.
- The inserted seal must be adjusted to the diameter of the cable / line.
The rated cross-section of the cables / line cores must be at least 0.25 mm².
- Screws for attaching the cover of the terminal box must be tightened to a torque of 100 Ncm (± 5 %).



DANGER!

Risk of explosion due to overheating!

In the case of battery assembly observe the following data of the valves:

- Dimension of the valve body: 32 mm x 32 mm x 10 mm.
- Material of the valve body: Brass (MS), stainless steel (VA) or plastic (PA 6 GV).



WARNING!

Danger – high pressure!

When reaching into the system, there is an acute risk of injury.

- Before dismounting pneumatic lines and valves, turn off the pressure and vent the lines.
- During the installation, make certain the flow direction is correct.
- Observe applicable accident prevention and safety regulations for pressurized devices.

7.2. Installation of Type 6013



Any installation position.


Preferably with magnet system face up.

1. Clean pipelines.
2. Any installation position
→ Preferential direction with actuator face up.
3. Connect dirt trap upstream
→ Observe direction of flow!

4. Seal
→ PTFE.
5. Screw in pipelines
→ Observe direction of flow!
6. Install / remove.

NOTE!**Information for devices with connecting cable:**

Connecting cable and coil are encapsulated. They must not be removed!

 Always connect protective conductor!

7. Connect to power supply.

7.3. Line connector

- PE28, PE30, PD89 and PD94: via flat plug by means of device socket type 2508 in accordance with DIN EN 175301-803, shape A.
- PE29, PE31, PD93 and PD95: on the molded cable.

8. START-UP**8.1. Safety instructions****WARNING!****Risk of injury from improper operation!**

Improper operation may result in injuries as well as damage to the device and the area around it.

- Before start-up, ensure that the operating personnel are familiar with and completely understand the contents of the operating instructions.
- Observe the safety instructions and intended use.
- Only adequately trained personnel may start up the equipment/ the device.

8.2. Start-up

Before starting up the device, ensure that:

- the device has been installed correctly,
- the connection has been made properly,
- the device is not damaged,
- all screws have been tightened.
- fit cable bushing according to the operating instructions for the device.

9. MAINTENANCE, TROUBLESHOOTING

9.1. Safety instructions



WARNING!

Risk of injury from improper servicing, repairs and maintenance!

- The device may be serviced and maintained by authorized technicians only and with the appropriate tools!
- The unit may be repaired by the manufacturer only!

9.2. Maintenance work

The devices are maintenance-free when operated under the conditions described in this manual.

9.3. Troubleshooting

If malfunctions occur, ensure that:

- the device has been installed correctly,
- the connection has been made properly,
- the device is not damaged,
- all screws have been tightened,
- the voltage and pressure have been switched on,
- the pipelines are free.

10. TRANSPORT, STORAGE, DISPOSAL

NOTE!

Transport damages!

Inadequately protected equipment may be damaged during transport.

- During transportation protect the device against wet and dirt in shock-resistant packaging.
- Avoid exceeding or dropping below the allowable storage temperature.

Incorrect storage may damage the device.

- Store the device in a dry and dust-free location!
- Storage temperature: -40 ... +55 °C.

Damage to the environment caused by device components contaminated with media.

- Ensure the device and packaging are disposed of in an environmentally sound manner.
- Observe applicable regulations relating to refuse disposal and the environment.



1. DIE BEDIENUNGSANLEITUNG	16	7. MONTAGE	24
1.1. Darstellungsmittel.....	16	7.1. Sicherheitshinweise.....	24
2. BESTIMMUNGSGEMÄSSE VERWENDUNG.....	17	7.2. Montage des Typs 6013	24
2.1. Beschränkungen	17	7.3. Leitungsanschluss	25
2.2. Ex-Zulassung.....	17	8. INBETRIEBNAHME.....	25
3. GRUNDLEGENDE SICHERHEITSHINWEISE.....	18	8.1. Sicherheitshinweise.....	25
4. ALLGEMEINE HINWEISE.....	19	8.2. Inbetriebnahme	25
4.1. Kontaktadresse	19	9. WARTUNG, FEHLERBEHEBUNG.....	26
4.2. Gewährleistung.....	19	9.1. Sicherheitshinweise.....	26
4.3. Informationen im Internet.....	19	9.2. Wartungsarbeiten.....	26
5. EINSATZBEDINGUNGEN DER GERÄTE.....	19	9.3. Fehlerbehebung.....	26
5.1. Einsatz im Ex-Bereich.....	19	10. TRANSPORT, LAGERUNG, VERPACKUNG	26
5.2. Betrieb nur mit zugehörigem Ventil	19		
5.3. Einzelmontage, Blockmontage.....	19		
6. TECHNISCHE DATEN	20		
6.1. Konformität.....	20		
6.2. Normen	20		
6.3. Zulassungen	20		
6.4. Betriebsbedingungen.....	20		
6.5. Einsatz in gasexplosionsgefährdeten Bereichen	21		
6.6. Einsatz in staubexplosionsgefährdeten Bereichen.....	23		

1. DIE BEDIENUNGSANLEITUNG

Die Bedienungsanleitung beschreibt den gesamten Lebenszyklus des Geräts. Bewahren Sie diese Anleitung so auf, dass sie für jeden Benutzer gut zugänglich ist und jedem neuen Eigentümer des Geräts wieder zur Verfügung steht.

Die Bedienungsanleitung enthält wichtige Informationen zur Sicherheit!

Das Nichtbeachten dieser Hinweise kann zu gefährlichen Situationen führen.

- Die Bedienungsanleitung muss gelesen und verstanden werden.

1.1. Darstellungsmittel



GEFAHR!

Warnt vor einer unmittelbaren Gefahr!

- Bei Nichtbeachtung sind Tod oder schwere Verletzungen die Folge.



WARNUNG!

Warnt vor einer möglicherweise gefährlichen Situation!

- Bei Nichtbeachtung drohen schwere Verletzungen oder Tod.



VORSICHT!

Warnt vor einer möglichen Gefährdung!

- Nichtbeachtung kann mittelschwere oder leichte Verletzungen zur Folge haben.

HINWEIS!

Warnt vor Sachschäden!

- Bei Nichtbeachtung kann das Gerät oder die Anlage beschädigt werden.



Bezeichnet wichtige Zusatzinformationen, Tipps und Empfehlungen.

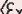


Verweist auf Informationen in dieser Bedienungsanleitung oder in anderen Dokumentationen.

→ markiert einen Arbeitsschritt, den Sie ausführen müssen.

2. BESTIMMUNGSGEMÄSSE VERWENDUNG

Bei nicht bestimmungsgemäßem Einsatz des Geräts Typ 6013 können Gefahren für Personen, Anlagen in der Umgebung und die Umwelt entstehen.

- Das Gerät dient ausschließlich als Magnetventil für die laut Datenblatt zulässigen Medien und für den Einsatz in Gruppe II Kategorie 2 G (Zone 1 und 2), Temperaturklasse T5 oder T6 bzw. 2D (Zone 21 und 22), Temperatur 80 °C (siehe Angaben auf dem  Zulassungsschild).
- Das Gerät darf nur für die im Kapitel „5. Einsatzbedingungen der Geräte“ vorgesehene Einsatzfälle und in Verbindung mit von Bürkert empfohlenen bzw. zugelassenen Fremdgeräten und -komponenten verwendet werden.
- Die angewandte Schutzart ist die Eigensicherheit (Ex ia) für Spulen mit Kabelanschluss oder Anschluss über Flachstecker mittels Gerätesteckdose.
- Der einwandfreie und sichere Betrieb des Systems setzt sachgemäßen Transport, sachgemäße Lagerung und Installation sowie sorgfältige Bedienung und Instandhaltung voraus. Eine andere oder darüber hinausgehende Benutzung gilt als **nicht bestimmungsgemäß**. Für hieraus resultierende Schäden haftet Bürkert nicht. Das Risiko trägt allein der Anwender.
- Das Gerät nur bestimmungsgemäß einsetzen.

2.1. Beschränkungen

Bei der Ausführung des Systems/Geräts gegebenenfalls bestehende Beschränkungen beachten.

2.2. Ex-Zulassung

Die Ex-Zulassung ist nur gültig, wenn die von Bürkert zugelassenen Module und Komponenten so verwendet werden, wie es in dieser Bedienungsanleitung beschrieben ist.

Der Typ 6013 darf nur in Kombination mit den von Bürkert freigegebenen Zusatzkomponenten eingesetzt werden, andernfalls erlischt die Ex-Zulassung!

Bei unzulässigen Veränderungen am Gerät, Modulen oder Komponenten erlischt die Ex-Zulassung ebenfalls.

3. GRUNDLEGENDE SICHERHEITSHINWEISE

Diese Sicherheitshinweise berücksichtigen keine

- Zufälligkeiten und Ereignisse, die bei Montage, Betrieb und Wartung der Geräte auftreten können.
- ortsbezogenen Sicherheitsbestimmungen, für deren Einhaltung, auch in Bezug auf das Montagepersonal, der Betreiber verantwortlich ist.



Explosionsgefahr!

- Das Gerät ist ein geschlossenes System an dem nichts verändert werden darf.

Ein Gerät, das bereits in einem nicht Ex-„i“-Stromkreis eingesetzt war, darf für den Einsatz im Ex-„i“-Stromkreis nicht mehr verwendet werden, da es die Sicherheit nicht gewährleisten kann.

- Das Gerät ausschließlich im Ex-„i“-Stromkreis einsetzen.
- Geräte, die in einem nicht Ex-„i“-Stromkreis eingesetzt waren, müssen nach dem Ausbau eine Kennzeichnung erhalten, die den Einsatz im Ex-„i“-Stromkreis verbietet.

Gefahr durch hohen Druck!

Bei Eingriffen in das System besteht akute Verletzungsgefahr.

- Vor dem Lösen von Leitungen und Ventilen den Druck abschalten und die Leitungen entlüften.
- Beim Einbau die Durchflussrichtung beachten.
- Die geltenden Unfallverhütungs- und Sicherheitsbestimmungen für druckbeaufschlagte Geräte einhalten.



Explosionsgefahr durch elektrostatische Aufladung!

Bei plötzlicher Entladung elektrostatisch aufgeladener Geräte oder Personen besteht im Ex-Bereich Explosionsgefahr.

- Durch geeignete Maßnahmen sicherstellen, dass es im Ex-Bereich zu keinen elektrostatischen Aufladungen kommen kann.
- Die Geräteoberfläche nur durch leichtes Abwischen mit einem feuchten oder antistatischen Tuch reinigen.

Allgemeine Gefahrensituationen.

Zum Schutz vor Verletzungen ist zu beachten:

- Dass die Anlage nicht unbeabsichtigt betätigt werden kann.
- Installations- und Instandhaltungsarbeiten dürfen nur von autorisiertem Fachpersonal mit geeignetem Werkzeug ausgeführt werden.
- Nach einer Unterbrechung der elektrischen oder pneumatischen Versorgung ist ein definierter oder kontrollierter Wiederanlauf des Prozesses zu gewährleisten.
- Das Gerät darf nur in einwandfreiem Zustand und unter Beachtung der Bedienungsanleitung betrieben werden.
- Für die Einsatzplanung und den Betrieb des Geräts müssen die allgemeinen Regeln der Technik eingehalten werden.



Bei Nichtbeachtung dieser Bedienungsanleitung und ihrer Hinweise sowie bei unzulässigen Eingriffen in das Gerät entfällt jegliche Haftung unsererseits, ebenso erlischt die Gewährleistung auf Geräte und Zubehörteile!

4. ALLGEMEINE HINWEISE

4.1. Kontaktadresse

Deutschland

Bürkert Fluid Control Systems
Sales Center
Christian-Bürkert-Str. 13-17
D-74653 Ingelfingen
Tel. + 49 (0) 7940 - 10 91 111
Fax + 49 (0) 7940 - 10 91 448
E-mail: info@de.buerkert.com

International

Die Kontaktadressen finden Sie auf den letzten Seiten der gedruckten Bedienungsanleitung.

Außerdem im Internet unter: www.burkert.com

4.2. Gewährleistung

Voraussetzung für die Gewährleistung ist der bestimmungsgemäße Gebrauch des Gerätes unter Beachtung der spezifizierten Einsatzbedingungen.

4.3. Informationen im Internet

Bedienungsanleitungen und Datenblätter zum Typ 6013 finden Sie im Internet unter: www.buerkert.de

5. EINSATZBEDINGUNGEN DER GERÄTE

5.1. Einsatz im Ex-Bereich



Das Gerät darf entweder im Ex-Bereich Gas oder Staub eingesetzt werden, jedoch nicht für ein Hybridgemisch.

5.2. Betrieb nur mit zugehörigem Ventil

Die Magnetspulen dürfen nur mit einem Ventilkörper mit Mindestabmessungen 32 mm x 32 mm x 10 mm aus Metall oder Kunststoff betrieben werden. Ein größerer Ventilkörper mit besserer Wärmeleitfähigkeit darf jederzeit angebaut werden.

5.3. Einzelmontage, Blockmontage

- Magnetspulen Typ AC10 - 5: sind für Einzel- und Blockmontage geeignet.
- Magnetspulen Typ AC10 - 6: sind nur für Einzelmontage geeignet.

HINWEIS!

Bei Blockmontage beachten:

- Abmessungen des Ventilkörpers: 32 mm x 32 mm x 10 mm
- Werkstoff des Ventilkörpers: Messing (MS), Kunststoff (PA 6 GV), Edelstahl

6. TECHNISCHE DATEN

6.1. Konformität

Das Gerät ist konform zu den EG-Richtlinien entsprechend der EG-Konformitätserklärung.

6.2. Normen

Durch folgende Normen wird die Konformität mit den EG-Richtlinien erfüllt:

- EN 60079-0, EN 60079-11

6.3. Zulassungen

Die EG-Baumusterprüfbescheinigung PTB 01 ATEX 2101 wurde von der

PTB (Physikalisch Technische Bundesanstalt)
Bundesallee 100
38116 Braunschweig

ausgestellt, die auch die Fertigung auditiert (CE 102).

Die EG-Baumusterprüfbescheinigung finden Sie im Internet unter:

www.buerkert.de

6.4. Betriebsbedingungen



WARNUNG!

Explosionsgefahr!

Überschreitung der auf dem Typenschild angegebenen technischen Daten führt zu hohem Risiko!

- Auf dem Typenschild angegebenen technischen Daten keinesfalls überschreiten.

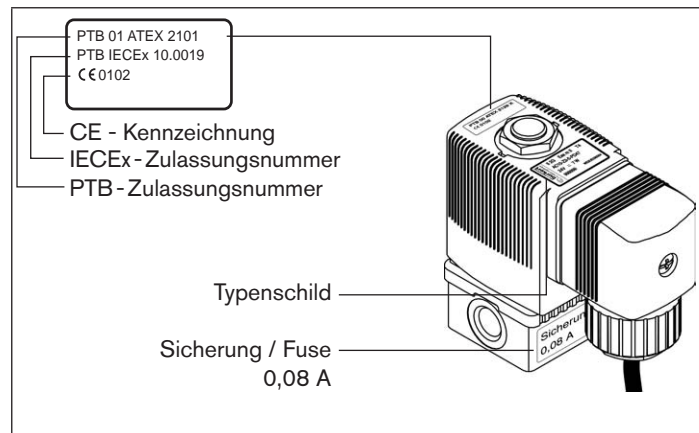


Bild 1: Lage des Typenschildes

6.4.1. Typenschild

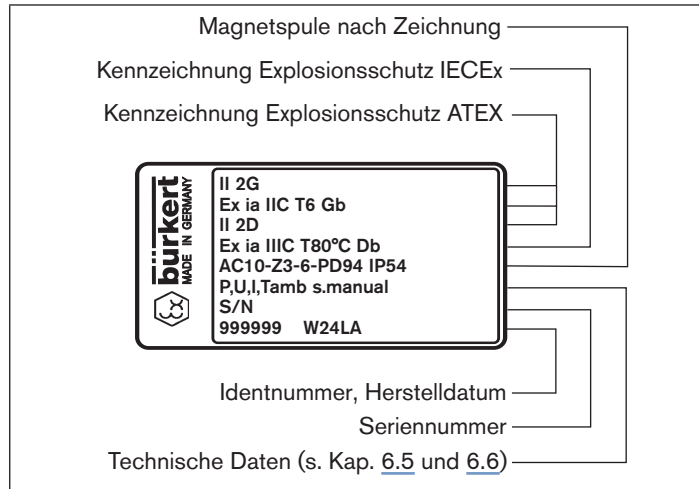


Bild 2: Beschreibung des Typenschildes

6.5. Einsatz in gasexplosionsgefährdeten Bereichen



Das Gerät darf entweder im Ex-Bereich Gas oder Staub eingesetzt werden, jedoch nicht für ein Hybridgemisch.

6.5.1. Elektrische Daten

Elektrische Daten für Zündschutzart Ex „ia“ und Gasgruppe II C:

Spulen- größe	L x B x H [mm]	Masse [g]	Verschlüs- selung	Aufbau	Temp. Klasse
5	45 x 32 x 41	160	PD89	Dioden in der Spule	T6
			PE28		T5
6	78 x 32 x 41	220	PD93	Dioden in der Gerätesteckdose	T6
			PE29		T5
6	50 x 40 x 41	210	PD94	Dioden in der Spule	T6
			PE30		T5
6	83 x 40 x 41	270	PD95	Dioden in der Gerätesteckdose	T6
			PE31		T5

6.5.2. Sicherheitstechnische Daten

Gruppe:	II C
Kategorie:	2 G
Zündschutzart:	Ex ia
Temperaturklasse:	T5 oder T6
Max. zulässige Eingangsspannung (U_i):	35 V
Max. zulässiger Eingangsstrom (I_i):	0,9 A
Max. zulässige Eingangsleistung (P_i):	1,1 W (AC10 - 5) 2,1 W (AC10 - 6)
Induktivität (L_i):	~ 0
Kapazität (C_i):	~ 0



Die maximal zulässigen Spannungen und die dazugehörigen Kurzschlussströme können für die entsprechende Gasgruppe der Tabelle A1 in der Norm EN 60079-11 entnommen werden.

Wertepaare für die Zündschutzart Ex ia II C (Beispiel):

Spannungswert [V] = U_i	15	18	20	22
Stromwert [A] = I_i	0,9	0,44	0,309	0,224

Spannungswert [V] = U_i	25	28	30	35
Stromwert [A] = I_i	0,158	0,120	0,101	0,073

6.5.3. Funktionstechnische Daten

Die Spulen des Typs AC10 sind in zwei Versionen lieferbar:

- Version für Einsatz mit Versorgungsbaustein 300 Ω (300 Ω Barriere),
- Version für Einsatz mit anderen zugelassenen Versorgungsbausteinen (z. B. 8-fach Remote I/O der Fa. Stahl).

Version	Widerstand R20 [Ω]	Mindestklemmspannung [V]	Mindeststrom [mA]	Unterscheidungskennziffer
Version mit Einsatz mit 300 Ω Versorgungsbaustein	310	9	29	10
Hochohmige Version	481	11,1	23	11



Die maximalen Spannungs- und Stromwerte werden durch die zulässigen elektrischen Betriebsmittel vorgegeben.

6.5.4. Zulässige Umgebungstemperatur

Montage	Temperaturklasse	AC10 - 5	AC10 - 6
Einzelmontage	T6	-40 ... +60 °C	-40 ... +60 °C
Blockmontage	T6	-40 ... +60 °C	Nicht möglich
Einzelmontage	T5	-40 ... +75 °C	-40 ... +75 °C
Blockmontage	T5	-40 ... +75 °C	Nicht möglich

Schutzart: Bei Ex „i“ mindestens IP20 nach EN 60529 (DIN VDE 0470 Teil 1)

6.6. Einsatz in staubexplosionsgefährdeten Bereichen



Das Gerät darf entweder im Ex-Bereich Gas oder Staub eingesetzt werden, jedoch nicht für ein Hybridgemisch.

6.6.1. Elektrische Daten

Elektrische Daten für Zündschutzart Ex ia:

Spulen- größe	L x B x H [mm]	Masse [g]	Verschlüs- selung	Aufbau	Temp. der Spule*
5	45 x 32 x 41	160	PD89	Dioden in der Spule	+80 °C
			PE28		
	78 x 32 x 41	220	PD93	Dioden in der Gerätesteckdose	
			PE29		
6	50 x 40 x 41	210	PD94	Dioden in der Spule	
			PE30		
	83 x 40 x 41	270	PD95	Dioden in der Gerätesteckdose	
			PE31		

* Max. Oberflächentemperatur der Spule [T]

6.6.2. Sicherheitstechnische Daten

Gruppe:	IIIC
Kategorie:	2 D
Zündschutzart:	Ex ia
Maximal zulässige Oberflächentemperatur:	T = 80 °C

Die Spulen des Typs AC10 - 5 und AC10 - 6 in Zündschutzart „i“ dürfen an Stromkreise mit folgenden Höchstwerten angeschlossen werden:

Max. zulässige Eingangsspannung (U_i):	35 V
Max. zulässiger Eingangsstrom (I_i):	0,9 A
Max. zulässige Eingangsleistung (P_i):	690 mW
Induktivität (L_i):	~ 0
Kapazität (C_i):	~ 0

Typ AC10 - 6 ist nur zur Einzelmontage geeignet.

6.6.3. Zulässiger Umgebungstemperatur

Montage	Temperatur- klasse	AC10 - 5	AC10 - 6
Einzelmontage	T6	-40 ... +60 °C	-40 ... +60 °C
Blockmontage	T6	-40 ... +60 °C	Nicht möglich

7. MONTAGE

7.1. Sicherheitshinweise



GEFAHR!

Explosionsgefahr!

Das Gerät ist ein geschlossenes System. Es darf nicht demontiert werden.

Folgende Sicherheitshinweise sind einzuhalten:

- Die Oberfläche des Geräts kann sich elektrostatisch aufladen. In explosionsgefährdeten Bereichen darf die Oberfläche der Geräte nur mit einem feuchten oder antistatischen Tuch gereinigt werden.
- Nur festgelegte Kabel und Leitungen dürfen eingeführt werden.
- Betreiber muss eine entsprechende Zugentlastung gewährleisten.
- Die maximale thermische Belastung der eingeführten Kabel bzw. Leitungen beachten.
- Die eingelegte Dichtung muss dem Durchmesser des Kabels / der Leitung angepasst werden.
Der Bemessungsquerschnitt der Kabel / Leitungsdern muss mindestens 0,25 mm² betragen.
- Die Schrauben zur Befestigung des Deckels des Klemmenkastens müssen mit einem Drehmoment von 100 Ncm ($\pm 5\%$) angezogen werden.



GEFAHR!

Explosionsgefahr durch Überhitzung!

Bei Batteriemontage sind folgende Daten der Ventile einzuhalten:

- Abmessung des Ventilkörpers: 32 mm x 32 mm x 10 mm.
- Material des Ventilkörpers: Messing (MS), Kunststoff (PA 6 GV) oder Edelstahl (VA).



WARNUNG!

Gefahr durch hohen Druck!

- Vor dem Lösen von Leitungen und Ventilen den Druck abschalten und die Leitungen entlüften.
- Beim Einbau die Durchflussrichtung beachten.
- Die geltenden Unfallverhütungs- und Sicherheitsbestimmungen für druckbeaufschlagte Geräte einhalten.

7.2. Montage des Typs 6013



Einbaulage beliebig.
Vorzugsweise mit Magnetsystem oben.


1. Rohrleitungen reinigen.
2. Einbaulage beliebig
→ Vorzugsrichtung mit Antrieb oben.
3. Schmutzfänger vorschalten
→ Durchflussrichtung beachten!

4. Abdichten
→ PTFE.
5. Rohrleitungen einschrauben
→ Durchflussrichtung beachten!
6. Montieren / Demontieren.

HINWEIS!

Hinweis für Geräte mit Anschlusskabel:

Anschlusskabel und Spule sind vergossen. Sie dürfen nicht demontiert werden!

 Schutzleiter immer anschließen!

7. Elektrisch anschließen.

7.3. Leitungsanschluss

- PE28, PE30, PD89 und PD94: über Flachstecker mittels Gerätesteckdose Typ 2508 nach DIN EN 175301-803, Form A
- PE29, PE31, PD93 und PD95: am eingegossenen Kabel

8. INBETRIEBNAHME

8.1. Sicherheitshinweise



WARNUNG!

Verletzungsgefahr bei unsachgemäßem Betrieb!

Nicht sachgemäßer Betrieb kann zu Verletzungen, sowie Schäden am Gerät und seiner Umgebung führen.

- Vor der Inbetriebnahme muss gewährleistet sein, dass der Inhalt der Bedienungsanleitung dem Bedienungspersonal bekannt ist und vollständig verstanden wurde.
- Die Sicherheitshinweise und die bestimmungsgemäße Verwendung müssen beachtet werden.
- Nur ausreichend geschultes Personal darf die Anlage/das Gerät in Betrieb nehmen.

8.2. Inbetriebnahme

Vor Inbetriebnahme sicherstellen, dass:

- das Gerät vorschriftsmäßig installiert wurde,
- der Anschluss ordnungsgemäß ausgeführt wurde,
- das Gerät nicht beschädigt ist,
- alle Schrauben fest angezogen sind,
- Kabeldurchführung entsprechend der Bedienungsanleitung des Geräts montiert ist.

9. WARTUNG, FEHLERBEHEBUNG

9.1. Sicherheitshinweise



WARNING!

Verletzungsgefahr bei unsachgemäßen Wartungs-, Reparatur- und Instandhaltungsarbeiten!

- Die Wartungs- und Instandhaltungsarbeiten am Gerät dürfen nur autorisiertes Fachpersonal mit geeignetem Werkzeug durchführen!
- Reparaturen am Gerät dürfen nur vom Hersteller durchgeführt werden!

9.2. Wartungsarbeiten

Die Geräte sind beim Betrieb unter den in dieser Anleitung beschriebenen Bedingungen wartungsfrei.

9.3. Fehlerbehebung

Bei Störungen sicherstellen, dass:

- das Gerät vorschriftsmäßig installiert wurde,
- der Anschluss ordnungsgemäß ausgeführt wurde,
- das Gerät nicht beschädigt ist,
- alle Schrauben fest angezogen sind,
- Spannung und Druck anliegen,
- die Rohrleitungen frei sind.

10. TRANSPORT, LAGERUNG, VERPACKUNG

HINWEIS!

Transportschäden!

Unzureichend geschützte Geräte können durch den Transport beschädigt werden.

- Gerät vor Nässe und Schmutz geschützt in einer stoßfesten Verpackung transportieren.
- Eine Über- bzw. Unterschreitung der zulässigen Lagertemperatur vermeiden.

Falsche Lagerung kann Schäden am Gerät verursachen.

- Gerät trocken und staubfrei lagern!
- Lagertemperatur $-40 \dots +55 \text{ }^{\circ}\text{C}$.

Umweltschäden durch von Medien kontaminierte Geräteteile.

- Gerät und Verpackung umweltgerecht entsorgen!
- Geltende Entsorgungsvorschriften und Umweltbestimmungen einhalten.

1. LES INSTRUCTIONS DE SERVICE.....	28	7. MONTAGE.....	36
1.1. Symboles.....	28	7.1. Consignes de sécurité.....	36
2. UTILISATION CONFORME.....	29	7.2. Montage du type 6013.....	36
2.1. Limitations.....	29	7.3. Raccord de conducteur.....	37
2.2. Homologation Ex.....	29	8. MISE EN SERVICE.....	37
3. CONSIGNES DE SÉCURITÉ FONDAMENTALES.....	30	8.1. Consignes de sécurité.....	37
4. INDICATIONS GÉNÉRALES.....	31	8.2. Mise en service.....	37
4.1. Adresses.....	31	9. MAINTENANCE, DÉPANNAGE.....	38
4.2. Garantie légale.....	31	9.1. Consignes de sécurité.....	38
4.3. Informations sur Internet.....	31	9.2. Travaux d'entretien.....	38
5. CONDITIONS D'UTILISATION DE L'APPAREIL.....	31	9.3. Dépannage.....	38
5.1. Utilisation dans la zone Ex.....	31	10. TRANSPORT, STOCKAGE, ÉLIMINATION.....	38
5.2. Exploitation avec vanne correspondante.....	31		
5.3. Montage individuel, montage dos à dos.....	31		
6. CARACTÉRISTIQUES TECHNIQUES.....	32		
6.1. Conformité.....	32		
6.2. Normes.....	32		
6.3. Homologations.....	32		
6.4. Conditions d'exploitation.....	32		
6.5. Utilisation dans des zones avec gaz présentant des risques d'explosion.....	33		
6.6. Utilisation dans des zones poussiéreuses présentant des risques d'explosion.....	35		

1. LES INSTRUCTIONS DE SERVICE

Les instructions de service décrivent le cycle de vie complet de l'appareil. Conservez ces instructions de sorte qu'elles soient accessibles à tout utilisateur et à disposition de tout nouveau propriétaire.

Les instructions de service contiennent des informations importantes sur la sécurité !

Le non-respect de ces consignes peut entraîner des situations dangereuses.

- Les instructions de service doivent être lues et comprises.

1.1. Symboles



DANGER !

Met en garde contre un danger imminent !

- Le non-respect peut entraîner la mort ou de graves blessures.



AVERTISSEMENT !

Met en garde contre une situation éventuellement dangereuse !

- Risque de blessures graves, voire la mort en cas de non-respect.



ATTENTION !

Met en garde contre un risque possible !

- Le non-respect peut entraîner des blessures légères ou de moyenne gravité.

REMARQUE !

Met en garde contre des dommages matériels !

- L'appareil ou l'installation peut être endommagé(e) en cas de non-respect.



Désigne des informations supplémentaires importantes, des conseils et des recommandations d'importance.

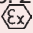


Renvoie à des informations dans ces instructions de service ou dans d'autres documentations.

→ identifie une opération que vous devez effectuer.

2. UTILISATION CONFORME

L'utilisation non conforme de l'appareil du type 6013 peut présenter des dangers pour les personnes, les installations proches et l'environnement.

- L'appareil sert exclusivement d'électrovanne pour les fluides autorisés selon la fiche technique et pour l'utilisation dans le groupe II, catégorie 2 G (zones 1 et 2), classe de température T5 ou T6, resp. 2 D (zones 21 et 22), température 80 °C (voir les indications sur  la plaque signalétique).
- L'appareil peut être employé uniquement pour les cas individuels prévus dans le chapitre „5. Conditions d'utilisation de l'appareil“ et en association avec les appareils et composants étrangers recommandés et homologués par Bürkert.
- Le type de protection appliqué est celui de la sécurité intrinsèque (Ex ia) pour les bobines avec raccord de câble ou raccord par fiche plate au moyen d'une prise d'appareil.
- L'exploitation impeccable et sûre du système suppose un transport conforme, un stockage et une installation conformes ainsi qu'une utilisation et une maintenance soigneuses. Toute autre utilisation est considérée comme **non conforme**. Bürkert n'est pas responsable des dommages en résultant. L'utilisateur est seul à en supporter le risque.
- L'appareil doit être utilisé seulement de façon conforme.

2.1. Limitations

Lors de l'exportation du système / de l'appareil, veuillez respecter les limitations éventuelles existantes.

2.2. Homologation Ex

L'homologation Ex n'est valable que si vous utilisez les modules et composants homologués par Bürkert tel que cela est décrit dans ces instructions de service.

Le type 6013 ne doit être utilisé qu'avec les composants supplémentaires autorisés par Bürkert, sinon l'homologation Ex devient caduque.

En cas de modification non autorisée de l'appareil, des modules ou des composants, l'homologation Ex devient également caduque.

3. CONSIGNES DE SÉCURITÉ FONDAMENTALES

Ces consignes de sécurité ne tiennent pas compte

- Des hasards et des événements pouvant survenir lors du montage, de l'exploitation et de l'entretien des appareils.
- Des prescriptions de sécurité locales que l'exploitant est tenu de faire respecter par le personnel chargé du montage.



Risque d'explosion !

- L'appareil est un système fermé n'autorisant aucune modification.

Un appareil ayant déjà été utilisé dans un circuit électrique non Ex « i » ne doit plus être utilisé dans un circuit Ex « i » car il ne peut pas garantir la sécurité.

- Utiliser l'appareil exclusivement dans un circuit électrique Ex « i ».
- Les appareils utilisés dans un circuit électrique non Ex « i » doivent recevoir une identification après démontage interdisant l'utilisation dans un circuit électrique Ex « i ».

Danger dû à la haute pression !

Il y a un risque important de blessures lors d'interventions sur le système.

- Avant de desserrer les conduites et les vannes, coupez la pression et assurez l'échappement de l'air des conduites.
- Lors du montage, respectez le sens du débit.
- Veuillez respecter les réglementations en vigueur pour les appareils sous pression en matière de prévention des accidents ainsi qu'en matière de sécurité.



Risque d'explosion dû à la charge électrostatique !

Il y a un risque d'explosion en cas de décharge soudaine d'appareils ou de personnes chargés d'électricité statique dans des zones présentant des risques d'explosion.

- Assurez-vous par des mesures appropriées, qu'il ne peut y avoir de charges électrostatiques dans de telles zones présentant des risques d'explosion.
- Ne nettoyez la surface de l'appareil que par un essuyage léger avec un chiffon humide ou antistatique.

Situations dangereuses d'ordre général.

Pour prévenir les blessures, respectez ce qui suit :

- L'installation ne peut pas être actionnée par inadvertance.
- Les travaux d'installation et de maintenance doivent être effectués uniquement par des techniciens qualifiés et habilités disposant de l'outillage approprié.
- Après une interruption de l'alimentation électrique ou pneumatique, un redémarrage défini ou contrôlé du processus doit être garanti.
- L'appareil doit être utilisé uniquement en parfait état et en respectant les instructions de service.
- Les règles générales de la technique sont d'application pour planifier l'utilisation et utiliser l'appareil.



Le non-respect de ces instructions de service avec ses consignes ainsi que les interventions non autorisées sur l'appareil excluent toute responsabilité de notre part et entraînent la nullité de la garantie légale concernant les appareils et les accessoires !

4. INDICATIONS GÉNÉRALES

4.1. Adresses

Allemagne

Bürkert Fluid Control Systems
Sales Center
Christian-Bürkert-Str. 13-17
D-74653 Ingelfingen
Tel. + 49 (0) 7940 - 10 91 111
Fax + 49 (0) 7940 - 10 91 448
E-mail: info@de.buerkert.com

International

Les adresses se trouvent aux dernières pages des instructions de service imprimées.

Egalement sur internet sous : www.burkert.com

4.2. Garantie légale

La condition pour bénéficier de la garantie légale est l'utilisation conforme de l'appareil dans le respect des conditions d'utilisation spécifiées.

4.3. Informations sur Internet

Vous trouverez les instructions de service et les fiches techniques concernant le type 6013 sur Internet sous : www.buerkert.fr

5. CONDITIONS D'UTILISATION DE L'APPAREIL

5.1. Utilisation dans la zone Ex



L'appareil peut être utilisé dans la zone Ex gaz ou poussières mais pas dans un mélange hybride.

5.2. Exploitation avec vanne correspondante

Les bobines magnétiques doivent être utilisées uniquement avec un corps de vanne aux dimensions minimales de 32 mm x 32 mm x 10 mm en métal ou en plastique. Un corps de vanne de taille plus importante avec une meilleure conductibilité thermique peut être monté à tout moment.

5.3. Montage individuel, montage dos à dos

- Les bobines magnétiques du type AC10 - 5 conviennent au montage individuel et au montage dos à dos,
- Type AC10 - 6 conviennent uniquement au montage individuel.

REMARQUE !

A noter en cas de montage dos à dos :

- Dimensions du corps de vanne : 32 mm x 32 mm x 10 mm.
- Matériau du corps de vanne : Laiton (MS), plastique (PA 6 GV), acier inoxydable.

6. CARACTÉRISTIQUES TECHNIQUES

6.1. Conformité

L'appareil est conforme aux directives CE conformément à la déclaration de conformité CE.

6.2. Normes

La conformité avec les directives CE est satisfaite par les normes suivantes :

- EN 60079-0, EN 60079-11

6.3. Homologations

Le certificat d'essai de modèle type PTB 00 ATEX 2129 X a été établi par le

PTB (Physikalisch Technische Bundesanstalt)
Bundesallee 100
38116 Braunschweig

qui effectue également l'audit de production (CE 102).

Le certificat d'essai de modèle CE se trouve sur Internet sous :

www.buerkert.fr

6.4. Conditions d'exploitation



AVERTISSEMENT !

Risque d'explosion !

Un dépassement des données techniques données sur la plaque signalétique entraîne un risque élevé !

- Ne dépasser en aucun cas les données techniques données sur la plaque signalétique.

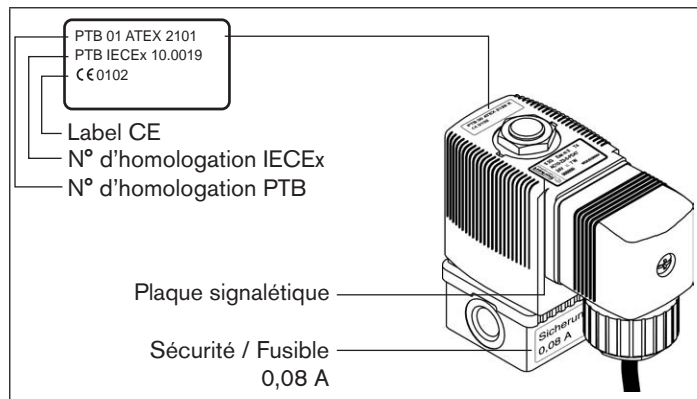


Fig. 1 : Position de la plaque signalétique

6.4.1. Plaque signalétique

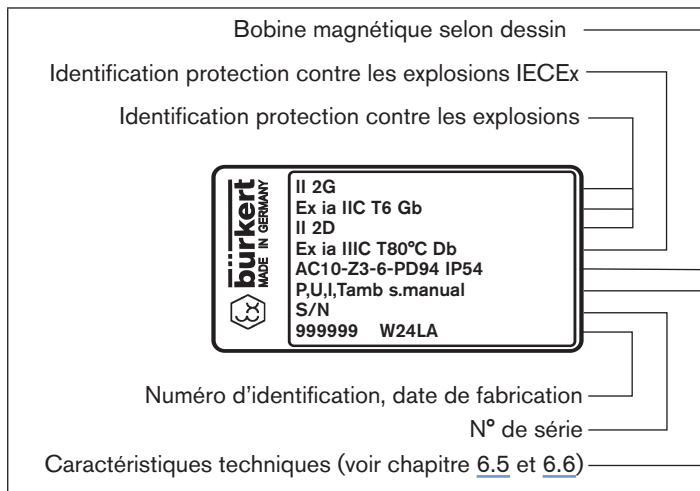


Fig. 2 : Description de la plaque signalétique

6.5. Utilisation dans des zones avec gaz présentant des risques d'explosion



L'appareil peut être utilisé dans la zone Ex gaz ou poussières mais pas dans un mélange hybride.

6.5.1. Caractéristiques électriques

Caractéristiques électriques pour le type de protection anti-déflagrante Ex « ia » et le groupe de gaz II C :

Taille de bobine	L x L x H [mm]	Masse [g]	Codification	Structure	Classe de temp.
5	45 x 32 x 41	160	PD89	Diodes dans la bobine	T6
			PE28		T5
	78 x 32 x 41	220	PD93	Diodes dans la prise d'appareil	T6
			PE29		T5
6	50 x 40 x 41	210	PD94	Diodes dans la bobine	T6
			PE30		T5
	83 x 40 x 41	270	PD95	Diodes dans la prise d'appareil	T6
			PE31		T5

6.5.2. Caractéristiques de sécurité

Groupe :	II C
Catégorie :	2 G
Type de protection anti-déflagrante :	Ex ia
Classe de température :	T5 ou T6
Tension d'entrée maximale admissible (U) :	35 V
Courant d'entrée maximal admissible (I) :	0,9 A
Puissance d'entrée maximale admissible (P) :	1,1 W (AC10 - 5) 2,1 W (AC10 - 6)
Inductance (L) :	~ 0
Capacité (C) :	~ 0



Les tensions maximales admissibles et les courants de court-circuit maximaux admissibles correspondants peuvent être consultés dans la norme EN 60079-11 pour le groupe de gaz du tableau A1 correspondant.

Paires de valeurs pour le type de protection anti-déflagrante Ex ia II C :

Valeur de tension [V] = U _i	15	18	20	22
Valeur de courant [A] = I _i	0,9	0,44	0,309	0,224

Valeur de tension [V] = U _i	25	28	30	35
Valeur de courant [A] = I _i	0,158	0,120	0,101	0,073

6.5.3. Caractéristiques techniques de fonctionnement

Les bobines du type AC10 sont disponibles en deux versions :

- Version pour utilisation avec module d'alimentation 300 Ω (barrière de 300 Ω),

MAN 1000010148 ML Version: VStatus: RL (released | freigegeben) printed: 09.10.2018

- Version pour utilisation avec d'autres modules d'alimentation homologués (par ex. remote I/O à 8 canaux de la société Stahl).

Version	Résistance R20 [Ω]	Tension minimale aux bornes [V]	Courant minimal [mA]	Indice de différenciation
Version utilisant un module d'alimentation de 300 Ω	310	9	29	10
Version à résistance ohmique élevée	481	11,1	23	11



Les valeurs de tension et de courant maximales sont prescrites par les consommables électriques autorisés.

6.5.4. Température ambiante admissible

Montage	Classe de température	AC10 - 5	AC10 - 6
Montage individuel	T6	-40 ... +60 °C	-40 ... +60 °C
Montage dos à dos	T6	-40 ... +60 °C	Impossible
Montage individuel	T5	-40 ... +75 °C	-40 ... +75 °C
Montage dos à dos	T5	-40 ... +75 °C	Impossible

Type de protection : avec Ex « i », au moins IP20 selon EN 60529 (DIN VDE 0470- 1)

6.6. Utilisation dans des zones poussiéreuses présentant des risques d'explosion



L'appareil peut être utilisé dans la zone Ex gaz ou poussières mais pas dans un mélange hybride.

6.6.1. Caractéristiques électriques

Caractéristiques électriques pour le type de protection anti-déflagrante Ex ia :

Taille de bobine	L x L x H [mm]	Masse [g]	Codification	Structure	Temp. de la bobine*
5	45 x 32 x 41	160	PD89	Diodes dans la bobine	+80 °C
			PE28		
	78 x 32 x 41	220	PD93	Diodes dans la prise d'appareil	
			PE29		
6	50 x 40 x 41	210	PD94	Diodes dans la bobine	
			PE30		
	83 x 40 x 41	270	PD95	Diodes dans la prise d'appareil	
			PE31		

* Température de surface maximale de la bobine [T]

6.6.2. Caractéristiques de sécurité

Groupe : III C
 Catégorie : 2 D
 Type de protection anti-déflagrante : Ex ia
 Température de surface maximale admissible : T = 80 °C

Les bobines des types AC10 - 5 et AC10 - 6 du type de protection anti-déflagrante « i » peuvent être raccordées aux circuits électriques présentant les valeurs maximales suivantes :

Tension d'entrée maximale admissible (U_i) : 35 V
 Courant d'entrée maximal admissible (I_i) : 0,9 A
 Puissance d'entrée maximale admissible (P_i) : 690 mW
 Inductance (L_i) : ~ 0
 Capacité (C_i) : ~ 0

Le type AC10-6 convient uniquement au montage individuel.

6.6.3. Température ambiante admissible

Montage	Classe de température	AC10 - 5	AC10 - 6
Montage individuel	T6	-40 ... +60 °C	-40 ... +60 °C
Montage dos à dos	T6	-40 ... +60 °C	Impossible

7. MONTAGE

7.1. Consignes de sécurité



DANGER !

Risque d'explosion !

L'appareil est un système clos. Il ne doit pas être démonté.

Les indications de sécurité suivantes doivent être respectées :

- La surface de l'appareil peut se charger d'électricité statique. Dans les zones présentant des risques d'explosion, la surface de l'appareil ne doit être nettoyée qu'avec un chiffon humide ou antistatique.
- Seuls des câbles et des conduites fixés doivent être installés.
- L'exploitant doit garantir une décharge de traction correspondante.
- Respecter la charge thermique maximale des câbles et des conducteurs introduits.
- Le joint inséré doit être adapté au diamètre du câble / de la conduite.
La section des câbles et des fils des conducteurs doit être d'au moins 0,25 mm².
- Les vis pour la fixation du couvercle du coffret à bornes doivent être serrées avec un couple de serrage de 100 Ncm (± 5 %).



DANGER !

Risque d'explosion par surchauffe !

En cas de montage en batterie, il convient de respecter les caractéristiques suivantes des vannes :

- Dimension du corps de vanne : 32 mm x 32 mm x 10 mm.
- Matériau du corps de vanne : laiton (MS), acier inoxydable (VA) ou matériau synthétique (PA 6 GV).



AVERTISSEMENT !

Danger dû à la haute pression !

Il y a risque important de blessures lors d'interventions sur le système.

- Avant de desserrer les conduites et les vannes, coupez la pression et assurez l'échappement de l'air des conduites.
- Lors du montage, respectez le sens du débit.
- Veuillez respecter les réglementations en vigueur pour les appareils sous pression en matière de prévention des accidents ainsi qu'en matière de sécurité.

7.2. Montage du type 6013



Emplacement de montage libre.

De préférence avec le système magnétique en haut.


1. Nettoyer les tuyauteries.
 2. Emplacement de montage libre
- Orientation préférentielle avec l'entraînement en haut.

3. Intercaler un collecteur d'impuretés
→ Respectez le sens du débit !
4. Etanchéification
→ PTFE.
5. Vissez les tuyauteries
→ Respectez le sens du débit !
6. Monter / démonter.

REMARQUE !

Indication pour les appareils avec câble de raccordement :

Le câble de raccordement et la bobine sont moulés. Ils ne doivent pas être démontés !

-  Raccordez toujours le conducteur de protection !

7. Raccordez à l'électricité.

7.3. Raccord de conducteur

- PE28, PE30, PD89 et PD94 : par fiche plate au moyen d'une prise d'appareil de type 2508 selon DIN EN 175301-803, forme A.
- PE29, PE31, PD93 et PD95 : sur le câble moulé.

8. MISE EN SERVICE

8.1. Consignes de sécurité



AVERTISSEMENT !

Risque de blessures dû à une exploitation non conforme !

Une utilisation non conforme peut entraîner des blessures et endommager l'appareil et son environnement.

- Avant la mise en service, il faut s'assurer que le contenu des instructions de service est connu et parfaitement compris par les opérateurs.
- Respectez les consignes de sécurité et l'utilisation conforme.
- L'appareil / l'installation doit être mis(e) en service uniquement par un personnel suffisamment formé.

8.2. Mise en service

Avant la mise en service, s'assurer que :

- l'appareil a été installé dans les règles,
- le raccordement a été correctement effectué,
- l'appareil n'est pas endommagé,
- toutes les vis sont bien serrées,
- passe-câble monté conformément aux instructions de service de l'appareil.

9. MAINTENANCE, DÉPANNAGE

9.1. Consignes de sécurité



AVERTISSEMENT!

Risque de blessures lors de travaux de maintenance, réparation et d'entretien non conformes !

- Les travaux de maintenance et d'entretien sur l'appareil ne doivent être effectués que par un personnel autorisé et qualifié avec des outils adaptés !
- Les réparations sur l'appareil doivent être effectuées uniquement par le fabricant !

9.2. Travaux d'entretien

Les appareils sont sans entretien lors d'une exploitation sous les conditions reprises dans ces instructions.

9.3. Dépannage

Lors d'incidents, s'assurer que :

- l'appareil a été installé dans les règles,
- le raccordement a été correctement effectué,
- l'appareil n'est pas endommagé,
- toutes les vis sont bien serrées,
- la tension et la pression sont disponibles,
- les tuyauteries ne sont pas obstruées.

10. TRANSPORT, STOCKAGE, ÉLIMINATION

REMARQUE !

Dommages dus au transport !

Les appareils insuffisamment protégés peuvent être endommagés pendant le transport.

- Transportez l'appareil à l'abri de l'humidité et des impuretés et dans un emballage résistant aux chocs.
- Evitez le dépassement vers le haut ou le bas de la température de stockage admissible.

Un mauvais stockage peut endommager l'appareil.

- Stockez l'appareil au sec et à l'abri des poussières !
- Température de stockage : -40 ... +55 °C.

Dommages à l'environnement causés par des pièces d'appareil contaminées par des fluides.

- Éliminez l'appareil et l'emballage dans le respect de l'environnement !
- Respectez les prescriptions en matière d'élimination des déchets et de protection de l'environnement en vigueur.

www.burkert.com