



Direct-acting 2/2 way plunger valve

- Direct-acting, powerful valve with diameter of up to DN 13
- Vibration-proof, bolted coil system
- Increased leak-tightness with welded plunger guide tube
- Explosion proof versions
- High pressure variants for gases and liquids

Product variants described in the data sheet may differ from the product presentation and description.

Can be combined with



Type 2518

Cable plug, form A according to DIN EN 175301 -803



Type 2513

Cable plug, form A according to DIN EN 175301 -803

Type description

Valve 6027 is a direct-acting plunger valve. The stopper and plunger guide tube are welded together to enhance pressure resistance and leak-tightness. Various seal material combinations are available depending on the application. The coils are moulded with chemically resistant epoxy. An optional sliding ring bearing increases the service life with dry gases. Special seal technology is used for high-pressure applications. In combination with a plug in accordance with DIN EN 175301 -803 Form A, the valves satisfy protection class IP65. Stainless steel valves satisfy NEMA 4X.

Table of contents

1. General technical data	4
2. Circuit functions	5
3. Materials	5
3.1. Chemical Resistance Chart – Bürkert resistApp.....	5
3.2. Material specifications standard version	5
Elastomer seal version up to 30 bar	5
Version with increased lifespan (NF39).....	6
Version PTFE pendulum seal up to 100 bar.....	6
3.3. Material specifications high pressure version up to 250 bar (MX32) or 160 bar (MX31)	7
3.4. Material specifications version DN 13.....	7
Version DN 13 standard.....	7
Version DN 13 with increased lifespan (NF39).....	8
3.5. Material specifications oil burner version (PF15)	8
4. Dimensions	9
4.1. Standard version.....	9
Threaded version	9
Flange and screw-in version	10
Flange and screw-in version high pressure up to 250 bar (MX32) or 160 bar (MX31).....	11
4.2. Version DN 13	12
4.3. Oil burner version (PF15).....	13
4.4. UL Listed coil for hazardous locations, Class I, Division 2	14
5. Performance specifications	15
5.1. Power consumption	15
6. Product accessories	15
6.1. Cable glands for ATEX/IECEX terminal box	15
6.2. Special tool to turn the terminal box.....	15
7. Ordering information	16
7.1. Bürkert eShop – Easy ordering and quick delivery.....	16
7.2. Bürkert product filter	16
7.3. Ordering chart standard version elastomer seal up to 30 bar	16
7.4. Ordering chart standard version pendulum seal up to 100 bar	18
7.5. Ordering chart high pressure version up to 250 bar (MX32) or 160 bar (MX31)	19
7.6. Ordering chart version DN 13 with increased lifespan (NF39).....	20
7.7. Ordering chart DIN EN 161 (PO19) certification version.....	20
7.8. Ordering chart oil burner version (PF15).....	21
Feed line valve/return line valve combinations	21
7.9. Ordering charts ATEX/IECEX version with 3 meter cable	22
Standard version with elastomer seal up to 30 bar	22
Standard version with pendulum seal up to 100 bar	22
Version DN 13	23
High pressure version up to 250 bar (MX32) or 160 bar (MX31).....	23
7.10. Ordering chart ATEX/IECEX version clamp terminal box	24
Standard version with elastomer seal up to 30 bar	24
Standard version with pendulum seal up to 100 bar	24
Version DN 13	25

	High pressure version up to 250 bar (MX32) or 160 bar (MX31).....	25
7.11.	Ordering chart accessories.....	26
	Cable plug Type 2518, form A according to DIN EN 175301 -803	26
	Cable plug Type 2513, form A according to DIN EN 175301 -803	26
	Cable glands for ATEX/IECEX terminal box	27
	Mounting bracket for Type 6027/6240.....	27

1. General technical data

Product properties	
Dimensions	Detailed information can be found in chapter "4. Dimensions" on page 9.
Material	
Seal	FKM, EPDM, NBR, PTFE and PEEK
Body	Brass or stainless steel 1.4404/316L
Coil	Epoxy
Orifice	DN 1.0...DN 13.0
Circuit function	A and B Detailed information can be found in chapter "2. Circuit functions" on page 5.
Thermal insulation class of solenoid coil	Epoxy class H
Performance data	
Duty cycle / single valve	100 % continuous rating
Switching time¹⁾	
Switching time AC	Opening: 10...30 ms Closing: 50...80 ms
Switching time DC	Opening: 20...30 ms Closing: 50...80 ms
Electrical data	
Voltage	24 V/DC, 24 V/50 Hz, 24 V/60 Hz, 110 V/50 Hz, 120 V/60 Hz, 230 V/50 Hz, 240 V/60 Hz, others on request
Voltage tolerance	± 10 %
Medium data	
Operating medium²⁾	
Standard	Vacuum, neutral gases and liquids (e.g. compressed air, water, hydraulic oil, petrol, DVGW 1-3 gas family) and slightly aggressive medium, hot liquids and steam
Oil burner version (PF15)	Heating oil (EL, L, M, S) acc. to DIN 51603 part 1...6, shipping fuels acc. to ISO 8217 Only with stainless steel body: Fatty acid methyl ester (FAME) acc. to DIN EN 14213, rapeseed oil acc. to DIN V 51605
Medium temperature	
Standard version ³⁾	Seat seal/external seal FKM/FKM: -10 °C...+140 °C EPDM/EPDM: -30 °C...+120 °C NBR/NBR: -10 °C...+80 °C PTFE/FKM: -10 °C...+140 °C PTFE/PEEK: -40 °C...+180 °C
High pressure version up to 250 bar (MX32) or 160 bar (MX31)	PEEK/FKM: -10 °C...+80 °C PEEK/EPDM: -30 °C...+80 °C PEEK/PEEK: -40 °C...+80 °C
Approval DIN EN 161 (PO19)	NBR/NBR: -20 °C...+80 °C FKM/FKM: 0 °C...+125 °C
Oil burner version (PF15)	0 °C...160 °C
Viscosity (max.)	21 mm ² /sec 1.6...76 cSt (DN 2, 2 NC 1.6...22 cSt) (Oil burner version PF15)
Approvals and certificates	
DIN CERTCO registration (Oil burner version PF15)	DN 2.2 (NO) Reg. No.: 5S255 DN 3.0 (NC) Reg. No.: 5S255 DN 3.5 (NC) Reg. No.: 5S255 DN 10.0 (NC) Reg. No.: 5S255
Degree of protection	IP65 with cable plug plug Type 2518 ▶ With stainless steel and cable plug Type 2519 ▶: NEMA 4X
Process/Port connection & communication	
Electrical connection	Acc. to DIN EN 175 301 - 803 form A for cable plug Type 2518 ▶ (see "Cable plug Type 2518, form A according to DIN EN 175301 - 803" on page 26)
Port connection	G ¼, G ⅜, G ½, G ¾, NPT ¼, NPT ⅜, NPT ½, NPT ¾ (RC on request)

Environment and installation

Installation position	As required, preferably with actuator upright
Ambient temperature (max.)	55 °C - 15 °C...+60 °C (Oil burner version PF15)

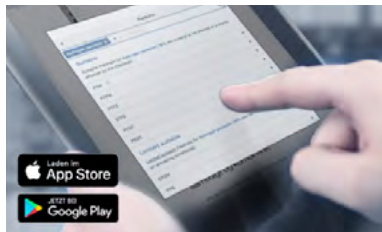
- 1.) Switching time [ms]: Measured at valve outlet at 6 bar and +20 °C, opening: pressure build-up 0...90 %, closing: pressure relief 100...10 %
- 2.) Medium resistance according to material combination
- 3.) Circuit function normally open in conjunction with AC voltage is limited to max. 100 °C

2. Circuit functions

Circuit functions	Description
	Type: A, solenoid valve 2/2-way Direct-acting Normally closed
	Type: B, solenoid valve 2/2-way Direct-acting Normally open

3. Materials

3.1. Chemical Resistance Chart – Bürkert resistApp



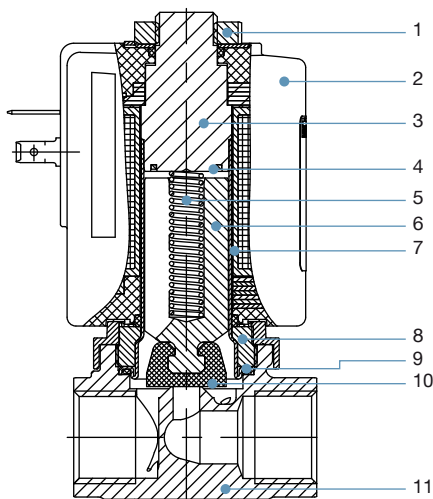
Bürkert resistApp – Chemical Resistance Chart

You want to ensure the reliability and durability of the materials in your individual application case? Verify your combination of media and materials on our website or in our resistApp.

[Start Chemical Resistance Check](#)

3.2. Material specifications standard version

Elastomer seal version up to 30 bar



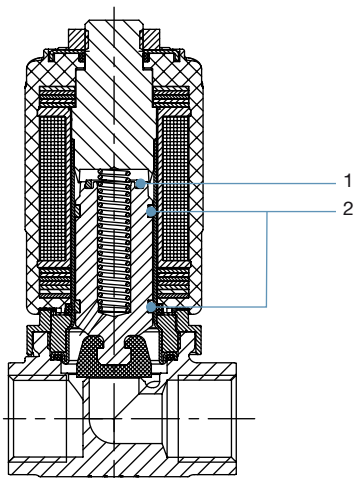
No.	Element	Material
1	Locknut	DIN 176 thick-film passivated or stainless steel
2	Coil	Epoxy
3	Stopper	Stainless steel 1.4113/434*
4	Shading ring	Copper (brass body) Silver (stainless steel body)
5	Spring	Stainless steel 1.4310/301*
6	Plunger	Stainless steel 1.4113/434*
7	Guide tube	Stainless steel 1.4303/305/308*
8	Nipple	Brass, stainless steel 1.4305/303*
9	Seal	FKM, PEEK (EPDM on request)
10	Seat seal	FKM (EPDM on request)
11	Housing	Brass, stainless steel 1.4404/316L* (CF3M)

*Material designation according to AISI

Version with increased lifespan (NF39)

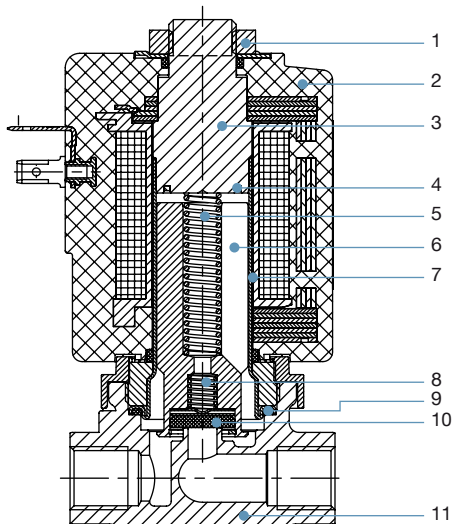
Note:

All parts are the same as standard, but with two additional parts as follows.



No.	Element	Material
1	Damping ring	PEEK
2	Glider	PTFE carbon filled

Version PTFE pendulum seal up to 100 bar



No.	Element	Material
1	Locknut	DIN 176 thick-film passivated or stainless steel
2	Coil	Epoxy
3	Stopper	Stainless steel 1.4113*
4	Shading ring	Silver (stainless steel body)
5	Spring	Stainless steel 1.1.4310/301*
6	Core	Stainless steel 1.4113/434*
7	Guide tube	Stainless steel 1.4303/305/308*
8	Spring	Stainless steel 1.4310/301*
9	Seat	FKM, PEEK (EPDM on request)
10	Seat seal	PTFE pendulum seal
11	Housing	Brass, stainless steel 1.4404/316L* (CF3M)

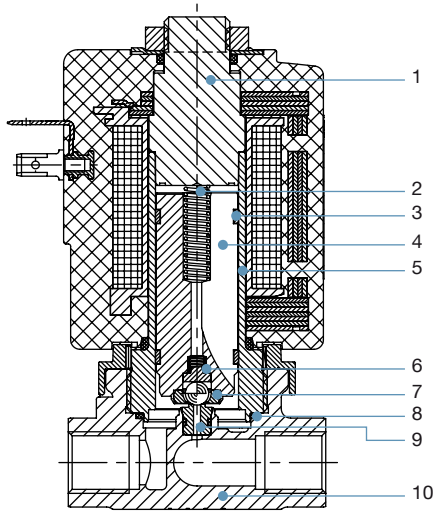
*Material designation according to AISI

DTS 1000089742 EN Version: AI Status: RL (released | freigegeben | validé) printed: 20.03.2023

3.3. Material specifications high pressure version up to 250 bar (MX32) or 160 bar (MX31)

Note:

High pressure version from 135 bar, circuit function A

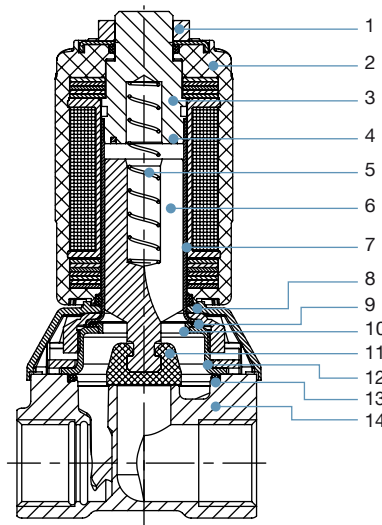


No.	Element	Material
1	Stopper	1.4523/316*
2	Compression springs	1.4310/301*
3	Glider	PTFE
4	Plunger	Stainless steel 1.4113/434*
5	Armature guide tube	1.4571/316 Ti*
6	Ball seat	1.4305/303*
7	Seat seal	Ceramic ball
8	O-rings	FKM
9	Seat	PEEK
10	Housing	Stainless steel 1.4404/316L* (CF3M) only in 1/4" G and NPT

*Material designation according to AISI

3.4. Material specifications version DN 13

Version DN 13 standard



No.	Element	Material
1	Locknut	DIN 176 thick-film passivated or stainless steel
2	Coil	Epoxy
3	Stopper	Stainless steel 1.4113/434*
4	Shading ring	Copper (brass body) Silver (stainless steel body)
5	Spring	Stainless steel 1.4310/301*
6	Core	Stainless steel 1.4113/434*
7	Guide tube	Stainless steel 1.4303/305*/308*
8	Hood	PA6
9	Seal	FKM, EPDM
10	Support ring	PPS Fortron
11	Core seal	FKM, EPDM, NBR
12	Cover	DN 10...DN 25 stainless steel 1.4301/304*
13	Seal	FKM, EPDM
14	Housing	Brass, stainless steel 1.4408/316*

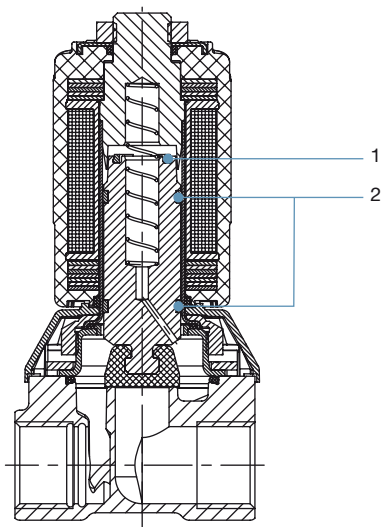
*Material designation according to AISI

DTS 1000089742 EN Version: AI Status: RL (released | freigegeben | validé) printed: 20.03.2023

Version DN 13 with increased lifespan (NF39)

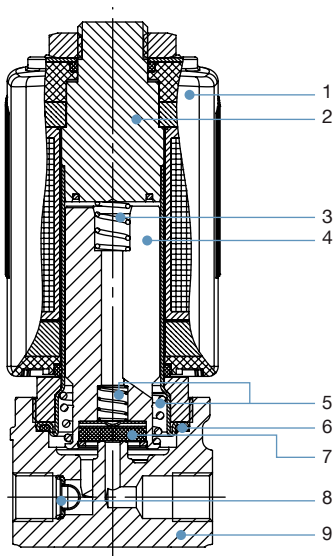
Note:

All parts are the same as standard, but with two additional parts as follows.



No.	Element	Material
1	Damping ring	PEEK
2	Glider	PTFE carbon filled

3.5. Material specifications oil burner version (PF15)



No.	Element	Material
1	Coil	Epoxy
2	Stopper	1.4113/434*
3	Spring	1.4310/310*
4	Plunger	1.4105/430F*
5	Spring	1.4310/301*
6	Seal ring	FKM
7	Seat seal	PTFE
8	Strainer	Stainless steel only DN 3 and DN 3.5
9	Valve body	Brass

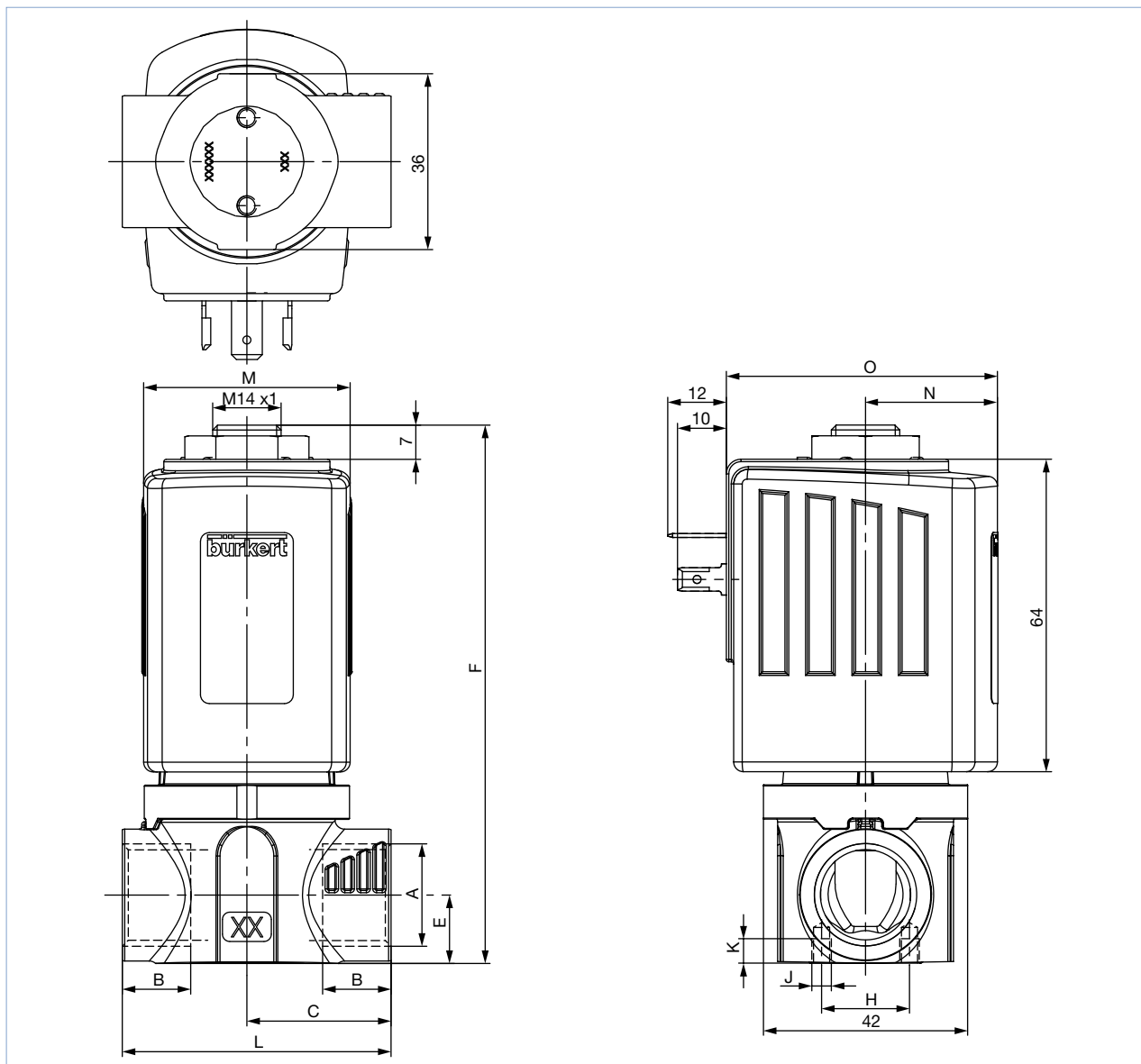
*Material designation according to AISI

DTS 1000089742 EN Version: AI Status: RL (released | freigegeben | validé) printed: 20.03.2023

4. Dimensions

4.1. Standard version

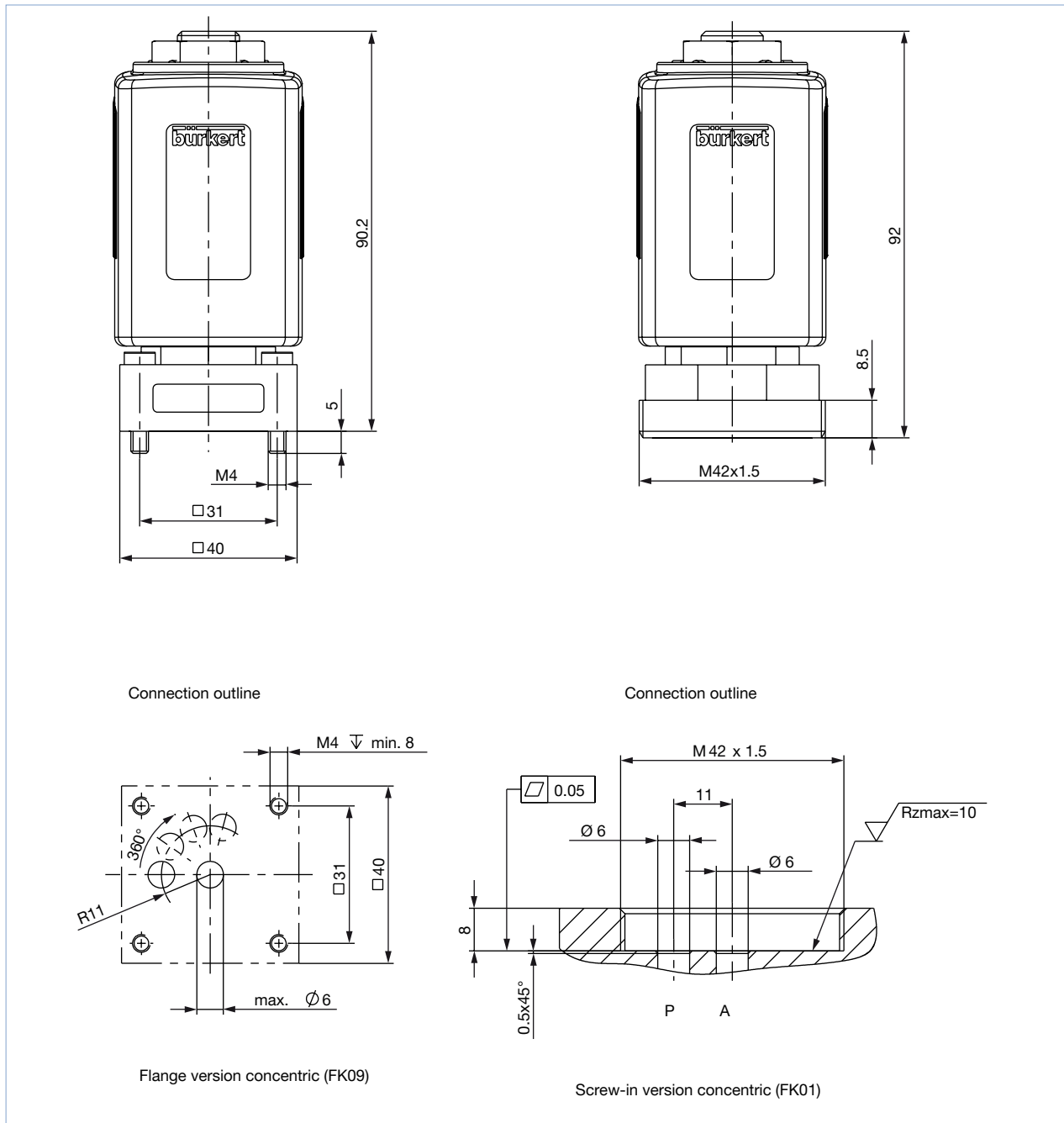
Threaded version



Version	L	A	B	C	E	F	H	J	K
Standard	55	Rc 1/2	13.2	29.5	14	110	18	M4	5
		NPT 1/2	13.7						
		G 1/2	14						
	55	Rc 3/8	10.1	27.5	12	108	18	M4	5
		NPT 3/8	10.3						
		G 3/8	12						
	55	Rc 1/4	9.7	27.5	10	105	18	M4	5
		NPT 1/4	10						
		G 1/4	12						
AG39	75	G 1/2	14.5	37.5	14	110	-	-	-
	75	G 3/8	12	37.5	14	110	-	-	-
AG48	40	G 1/4	12	20	10	105	15	M5	7
	40	G 1/8	8	20	10	105	15	M5	7

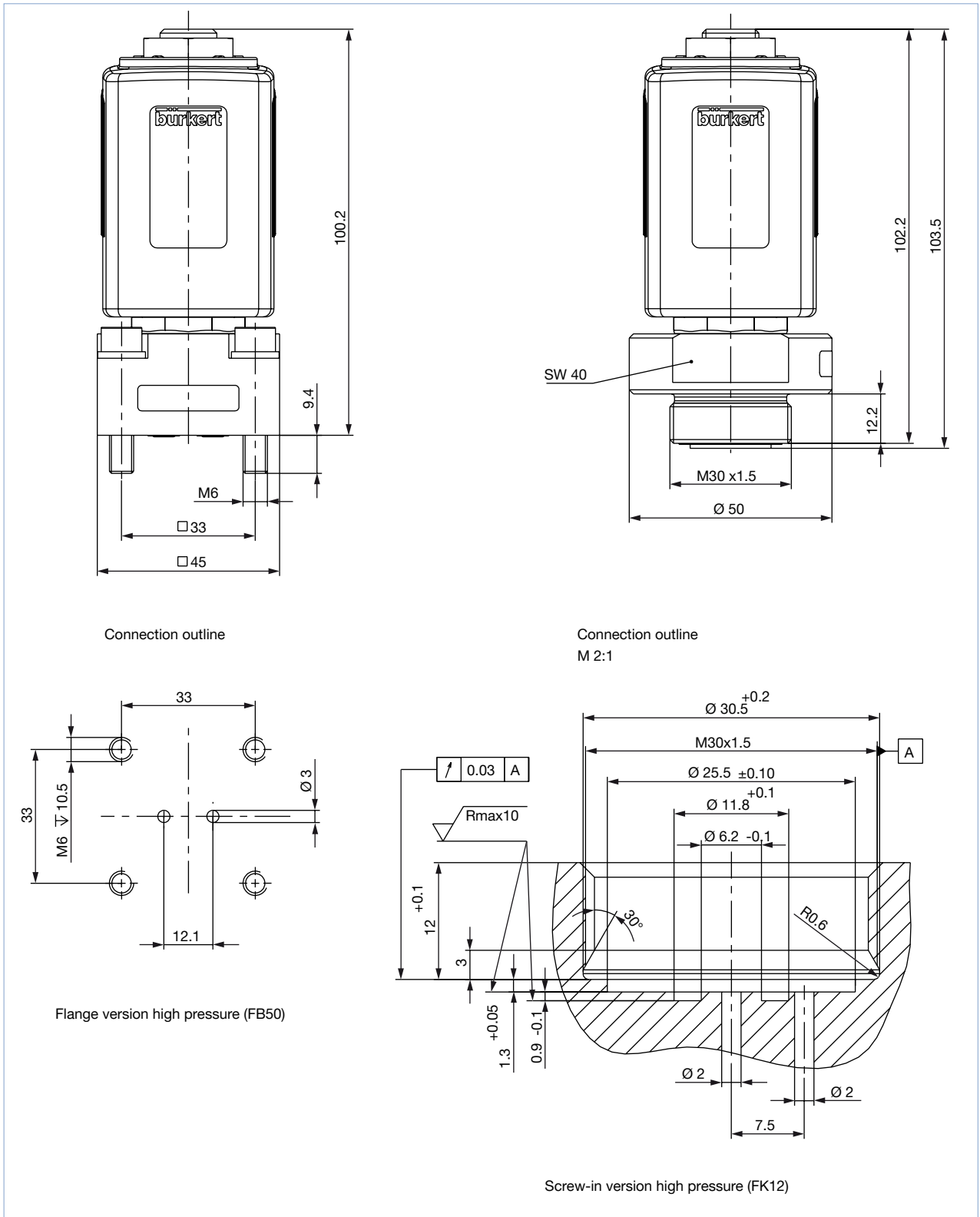
Coil size	M	N	O
L	65	37.5	72
K	42	27	55.5

Flange and screw-in version



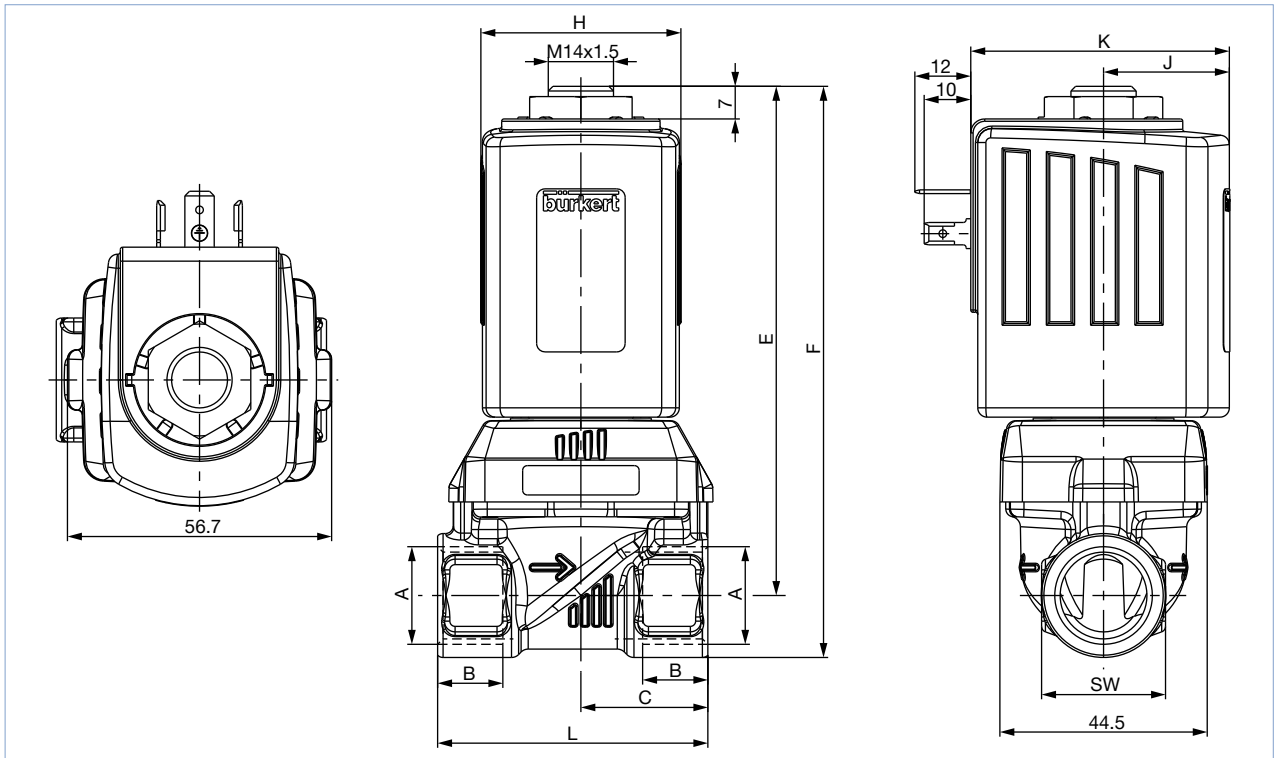
DTS 1000089742 EN Version: AI Status: RL (released | freigegeben | validé) printed: 20.03.2023

Flange and screw-in version high pressure up to 250 bar (MX32) or 160 bar (MX31)



DTS 1000089742 EN Version: AI Status: RL (released | freigegeben | validé) printed: 20.03.2023

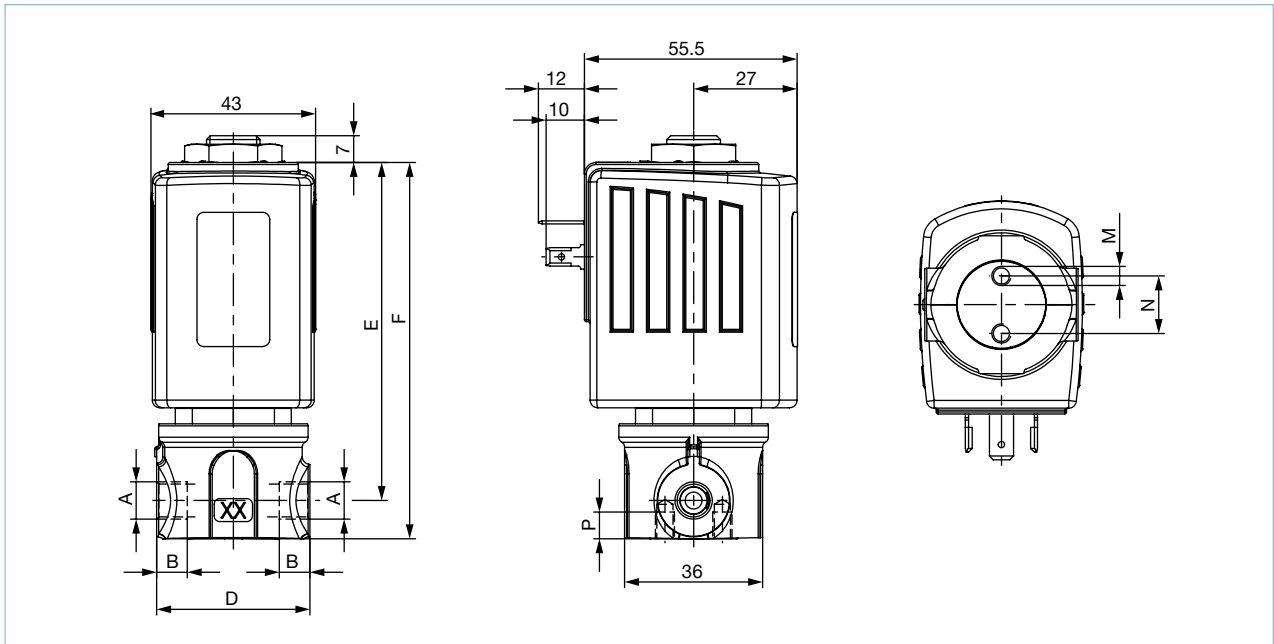
4.2. Version DN 13



Material	A	B	C	E	F	L	SW
Brass / Stainless steel	Rc 3/4	14.5	32.5	111.3	127.3	65	32
	NPT 3/4	14					
	G 3/4	16					
Stainless steel	Rc 1/2	13.2	32.5	109.3	122.6	65	27
	NPT 1/2	13.7					
	G 1/2	14					
Brass	Rc 1/2	13.2	27.25	109.3	122.6	58	27
	NPT 1/2	13.7					
	G 1/2	14					

Coil size	H	J	K
L	65	37.5	72
K	42	27	55.5

4.3. Oil burner version (PF15)

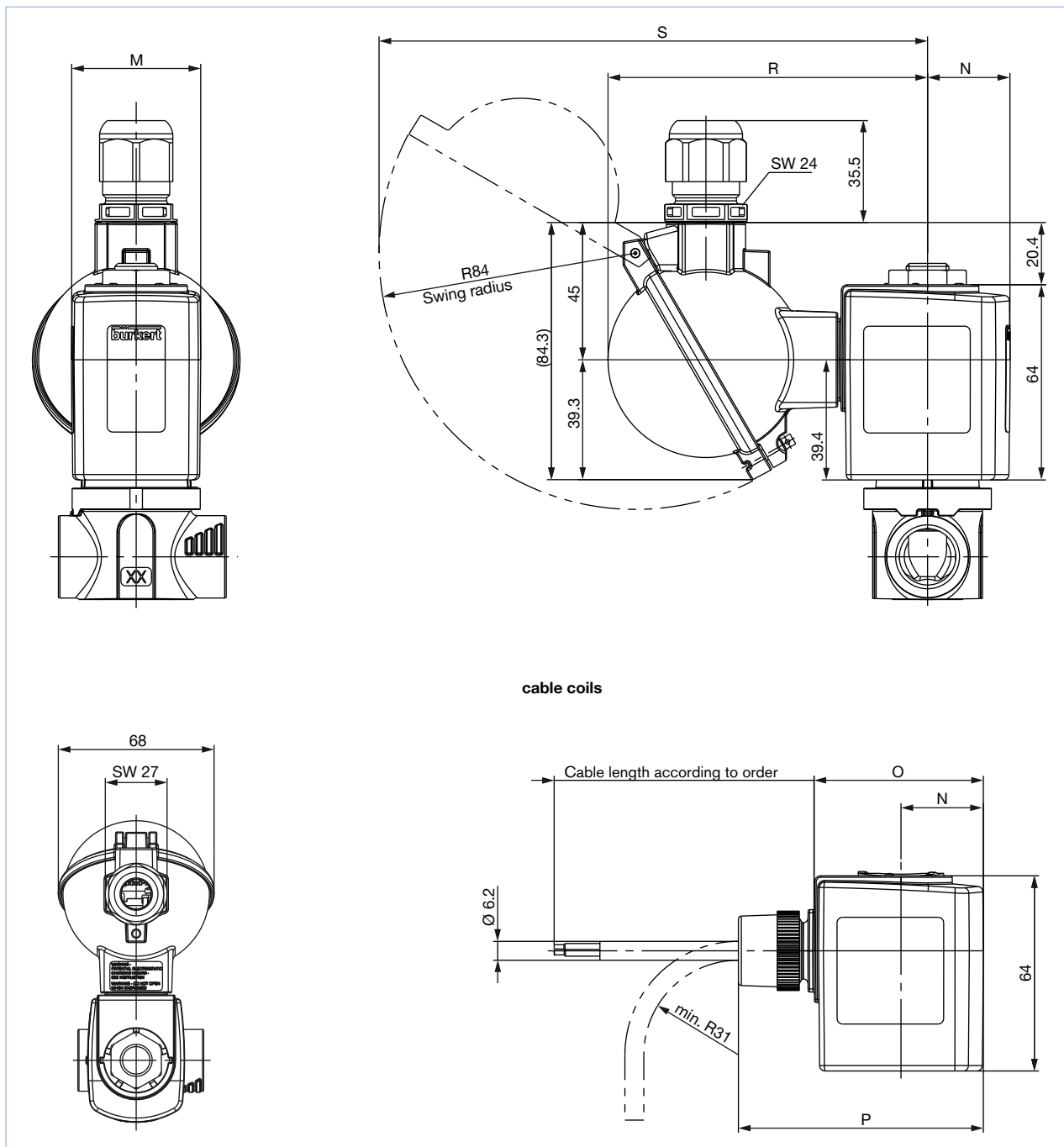


DN	Function	A	B	D	E	F	M	N	P	SW
2.2	NO	G 1/8	8	40	88.2	98.2	M5	15	7	-
	NO	G 1/4	12							
3	NC	G 1/8	8	40	88.2	98.2	M5	15	7	-
3.5	NC	G 1/4	12	40	88.2	98.2	M5	15	7	-
10	NC	G 3/8	12	75	89.2	103.2	-	-	-	27
	NC	G 1/2	14.5							

4.4. UL Listed coil for hazardous locations, Class I, Division 2

Note:

Dimensions apply exclusively to Ex version of the solenoid coil. For other dimensions see previous versions.



DTS 1000089742 EN Version: AI Status: RL (released | freigegeben | validé) printed: 20.03.2023

Coil dimensions						
Coil size	M	N	O	P	R	S
L	65	37.5	72	97	110.8	185.8
K	42	27	55.5	80.3	104.8	179.8

5. Performance specifications

5.1. Power consumption

Coil size	AC			DC		Kick and Drop coil AC/DC ¹⁾		
	Inrush power	Holding power		Cold performance	Warm performance	Cold performance inrush power	Cold performance holding power	Warm performance holding power
[mm]	[VA]	[VA]	[W]	[W]	[W]	[W] 500 ms	[W]	[W]
42 (K)	150	37	16	21	16	85	8.5	7
42 (K) ATEX	–	–	–	15	12	44	6.5	5.5
65 (L)	–	–	–	28	21	–	–	–


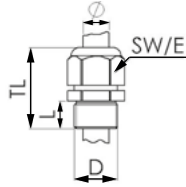

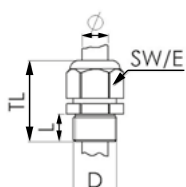
1.) Kick and Drop coil: Integrated electronics for short-term power increase and reduction in dual coil technology

6. Product accessories

6.1. Cable glands for ATEX/IECEX terminal box

Note:

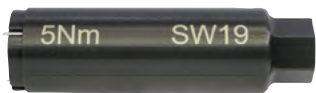
- A cable gland in polyamide version is included in the delivery. A nickel-plated brass version can be ordered at a surcharge, see “7.11. Ordering chart accessories” on page 26.
- This special tool is not supplied with the valve (see “Cable glands for ATEX/IECEX terminal box” on page 27).

Description	Ex approvals		Dimensions										
	Certification	Identification											
Ex cable gland, Brass, nickel-plated, 6...13 mm 	PTB 04 ATEX 1112 X, IECEX PTB 13.0027X	II 2 G Ex e IIC Gb, II 2 D Ex tb IIIC Db IP68	 <table border="1"> <tr><td>TL</td><td>29...37 mm</td></tr> <tr><td>L</td><td>6 mm</td></tr> <tr><td>D</td><td>20 mm</td></tr> <tr><td>SW</td><td>24 mm</td></tr> <tr><td>E</td><td>27 mm</td></tr> </table>	TL	29...37 mm	L	6 mm	D	20 mm	SW	24 mm	E	27 mm
TL	29...37 mm												
L	6 mm												
D	20 mm												
SW	24 mm												
E	27 mm												
Ex cable gland, Polyamide, 7...13 mm 	PTB 13 ATEX 1015 X, IECEX PTB 13.0034X	II 2 G Ex e IIC Gb, II 2 D Ex tb IIIC Db IP68	 <table border="1"> <tr><td>TL</td><td>36...45 mm</td></tr> <tr><td>L</td><td>10 mm</td></tr> <tr><td>D</td><td>20 mm</td></tr> <tr><td>SW</td><td>24 mm</td></tr> <tr><td>E</td><td>28 mm</td></tr> </table>	TL	36...45 mm	L	10 mm	D	20 mm	SW	24 mm	E	28 mm
TL	36...45 mm												
L	10 mm												
D	20 mm												
SW	24 mm												
E	28 mm												

6.2. Special tool to turn the terminal box


Note:

- This special tool is not supplied with the valve (see “7.11. Ordering chart accessories” on page 26).
- This special tool can only be used with ATEX AC10 coils.

Description	Components of the set
Set SC02-AC10 	<ul style="list-style-type: none"> • Special wrench • Service manual

7. Ordering information

7.1. Bürkert eShop – Easy ordering and quick delivery

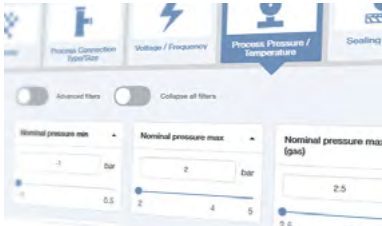


Bürkert eShop – Easy ordering and quick delivery

You want to find your desired Bürkert product or spare part quickly and order directly? Our online shop is available for you 24/7. Sign up and enjoy all the benefits.

[Order online now](#)

7.2. Bürkert product filter



Bürkert product filter – Get quickly to the right product

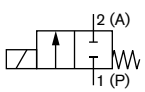
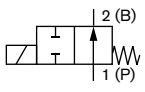
You want to select products comfortably based on your technical requirements? Use the Bürkert product filter and find suitable articles for your application quickly and easily.

[Try out our product filter](#)

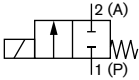
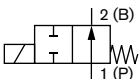
7.3. Ordering chart standard version elastomer seal up to 30 bar

Note:

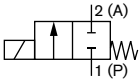
Further versions with alternative voltages, NPT or RC inner thread, as flange or screw-in version, seal material EPDM/EPDM available on request.

Circuit function	Port connection	Orifice [mm]	K _v value water [m ³ /h]	Pressure range						Article no.		
				Water		Oil		Air		024/DC	024/50	230/50
				DC	AC	DC	AC	DC	AC	[V/Hz]	[V/Hz]	[V/Hz]
Housing material brass, G-inner thread, seal material FKM/FKM												
A, solenoid valve 2/2-way Direct-acting Normally closed 	G ¼	3.0	0.28	0...30	0...25	0...30	0...25	0...30	0...30	178295	178296	178297
		4.0	0.54	0...16	0...16	0...16	0...16	0...25	0...16	178299	178300	178301
		5.0	0.73	0...8	0...10	0...6	0...10	0...8	0...10	178303	178304	178305
		6.0	0.95	0...4	0...6	0...3	0...6	0...4	0...6	178307	178308	178309
	G ⅜	3.0	0.28	0...30	0...25	0...30	0...25	0...30	0...30	178311	178312	178313
		4.0	0.54	0...16	0...16	0...16	0...16	0...25	0...16	178315	178316	178317
		5.0	0.73	0...8	0...10	0...6	0...10	0...8	0...10	178319	178320	178321
		6.0	0.95	0...4	0...6	0...3	0...6	0...4	0...6	178323	178324	178325
	G ½	8.0	1.6	0...2	0...3	0...2	0...3	0...2	0...3.5	386836	178328	178329
		6.0	0.95	0...4	0...6	0...3	0...6	0...4	0...6	178331	178332	178333
		8.0	1.6	0...2	0...3	0...2	0...3	0...2	0...3.5	386839	178336	178337
		10.0	1.8	0...1.5	0...2	0...1.5	0...2	0...1.5	0...2	261254	178340	178341
B, solenoid valve 2/2-way Direct-acting Normally open 	G ¼	3.0	0.28	0...13	0...13	0...13	0...13	0...16	0...16	20011134	X	20011136
		4.0	0.54	0...10	0...10	0...10	0...10	0...10	0...10	20011146	X	20011147
		6.0	0.95	0...6	0...6	0...6	0...6	0...6	0...6	20011180	X	20011181
	G ⅜	6.0	0.95	0...6	0...6	0...6	0...6	0...6	0...6	20011183	20011182	20011184
		8.0	1.6	0...3	0...3	0...3	0...3	0...3	0...3	228500	228501	228502
	G ½	8.0	1.6	0...3	0...3	0...3	0...3	0...3	0...3	211916	228503	228504
		10.0	1.8	0...2	0...2	0...2	0...2	0...2	0...2	210436	219530	210438

X: on request

Circuit function	Port connection	Orifice [mm]	K _v value water [m³/h]	Pressure range						Article no.		
				Water		Oil		Air		024/DC	024/50	230/50
				DC	AC	DC	AC	DC	AC	[V/Hz]	[V/Hz]	[V/Hz]
Housing material stainless steel, G-inner thread, seal material FKM/FKM												
A, solenoid valve 2/2-way Direct-acting Normally closed 	G ¼	3.0	0.28	0...30	0...25	0...30	0...25	0...30	0...30	178239 𐀀	178240 𐀀	178241 𐀀
		4.0	0.54	0...16	0...16	0...16	0...16	0...25	0...16	178243 𐀀	178244 𐀀	178245 𐀀
		5.0	0.73	0...8	0...10	0...6	0...10	0...8	0...10	178247 𐀀	178248 𐀀	178249 𐀀
		6.0	0.95	0...4	0...6	0...3	0...6	0...4	0...6	178251 𐀀	178252 𐀀	178253 𐀀
	G ⅜	3.0	0.28	0...30	0...25	0...30	0...25	0...30	0...30	178255 𐀀	178256 𐀀	178257 𐀀
		4.0	0.54	0...16	0...16	0...16	0...16	0...25	0...16	178259 𐀀	178260 𐀀	178261 𐀀
		5.0	0.73	0...8	0...10	0...6	0...10	0...8	0...10	178263 𐀀	178264 𐀀	178265 𐀀
		6.0	0.95	0...4	0...6	0...3	0...6	0...4	0...6	178267 𐀀	178268 𐀀	178269 𐀀
	G ½	8.0	1.6	0...2	0...3	0...2	0...3	0...2	0...3.5	386840 𐀀	178272 𐀀	178273 𐀀
		6.0	0.95	0...4	0...6	0...3	0...6	0...4	0...6	178275 𐀀	178276 𐀀	178277 𐀀
		8.0	1.6	0...2	0...3	0...2	0...3	0...2	0...3.5	298596 𐀀	178280 𐀀	178281 𐀀
		10.0	1.8	0...1.5	0...2	0...1.5	0...2	0...1.5	0...2	386841 𐀀	178284 𐀀	178285 𐀀
B, solenoid valve 2/2-way Direct-acting Normally open 	G ¼	3.0	0.28	0...13	0...13	0...13	0...13	0...16	0...16	20011137 𐀀	X	20011139 𐀀
		4.0	0.54	0...10	0...10	0...10	0...10	0...10	0...10	20011151 𐀀	X	X
		6.0	0.95	0...6	0...6	0...6	0...6	0...6	0...6	20011189 𐀀	X	X
	G ⅜	6.0	0.95	0...6	0...6	0...6	0...6	0...6	0...6	20011192 𐀀	20011191 𐀀	20011193 𐀀
		8.0	1.6	0...3	0...3	0...3	0...3	0...3	0...3	230258 𐀀	230259 𐀀	230260 𐀀
	G ½	8.0	1.6	0...3	0...3	0...3	0...3	0...3	0...3	230261 𐀀	230262 𐀀	230263 𐀀
		10.0	1.8	0...2	0...2	0...2	0...2	0...2	0...2	225248 𐀀	230264 𐀀	230265 𐀀
		12.0	2	0...1	0...1	0...1	0...1	0...1	0...1	210441 𐀀	230266 𐀀	210321 𐀀

X: on request

Circuit function	Port connection	Orifice [mm]	K _v value water [m³/h]	Medium pressure Kick and Drop coil 44/6.5 W [bar]	Article no. Kick and Drop coil 44/6.5 W		Medium pressure Kick and Drop coil 85/8.5 W [bar]	Article no. Kick and Drop coil 85/8.5 W	
					024/AC/DC	230/AC		024/AC/DC	230/AC
					[V/Hz]	[V/Hz]		[V/Hz]	[V/Hz]
Housing material stainless steel, G-inner thread, seal material FKM/FKM									
A, solenoid valve 2/2-way Direct-acting Normally closed 	G ¼	4.0	0.54	0...30	386726 𐀀	386732 𐀀	0...30	-	-
		5.0	0.73	0...10	386727 𐀀	386733 𐀀	0...25	386739 𐀀	386745 𐀀
		6.0	0.95	0...6	386728 𐀀	386734 𐀀	0...14	386740 𐀀	386746 𐀀
	G ½	8.0	1.6	0...3	386729 𐀀	386735 𐀀	0...6	386741 𐀀	386747 𐀀
		10.0	1.8	0...2	386730 𐀀	386736 𐀀	0...3.5	386742 𐀀	386748 𐀀
		12.0	2	0...1.2	386731 𐀀	386737 𐀀	0...2	386743 𐀀	386749 𐀀

7.4. Ordering chart standard version pendulum seal up to 100 bar

Note:

Further versions with alternative voltages, NPT or RC inner thread, as flange or screw-in version, seal material PTFE/FKM or PTFE/EPDM available on request.

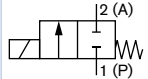
Circuit function	Port connection	Orifice [mm]	K _v value water [m ³ /h]	Pressure range						Article no.			
				Water		Oil		Air		024/DC	024/50	230/50	
				DC	AC	DC	AC	DC	AC	[V/Hz]	[V/Hz]	[V/Hz]	
Housing material brass, G-inner thread, seal material PTFE/PEEK													
A, solenoid valve 2/2-way Direct-acting Normally closed 	G ¼	2.0	0.14	0...100	0...100	0...100	0...75	0...100	0...100	X	X	X	
		3.0	0.28	0...40	0...50	0...40	0...50	0...40	0...50	262435 ₺	X	338571 ₺	
		4.0	0.54	0...20	0...30	0...20	0...30	0...20	0...30	206367 ₺	X	319934 ₺	
	G ⅜	6.0	0.95	0...5	0...12	0...5	0...12	0...5	0...16	257403 ₺	X	X	
		4.0	0.54	0...20	0...30	0...20	0...30	0...20	0...30	263995 ₺	331984 ₺	317310 ₺	
		6.0	0.95	0...5	0...12	0...5	0...12	0...5	0...16	187966 ₺	X	208842 ₺	
		8.0	1.6	0...2	0...5	0...2	0...5	0...2	0...5	386842 ₺	X	362254 ₺	
		G ½	6.0	0.95	0...5	0...12	0...5	0...12	0...5	0...16	260425 ₺	X	X
			8.0	1.6	0...2	0...5	0...2	0...5	0...2	0...5	386843 ₺	X	X
	10.0	1.8	0...1.2	0...2	0...1.2	0...2	0...1.2	0...3	298916 ₺	X	362210 ₺		
B, solenoid valve 2/2-way Direct-acting Normally open 	G ¼	2.0	0.14	0...30	0...30	0...30	0...30	0...30	0...30	X	X	X	
		3.0	0.28	0...16	0...16	0...16	0...16	0...16	0...16	20011131 ₺	X	X	
		4.0	0.54	0...10	0...10	0...10	0...10	0...10	0...10	X	X	20011140 ₺	
	G ⅜	6.0	0.95	0...6	0...6	0...6	0...6	0...6	0...6	X	X	X	
		4.0	0.54	0...10	0...10	0...10	0...10	0...10	0...10	X	X	X	
		6.0	0.95	0...6	0...6	0...6	0...6	0...6	0...6	20011160 ₺	X	X	
	G ½	6.0	0.95	0...6	0...6	0...6	0...6	0...6	0...6	20011162 ₺	X	X	

X: on request

Circuit function	Port connection	Orifice [mm]	K _v value water [m ³ /h]	Pressure range						Article no.			
				Water		Oil		Air		024/DC	024/50	230/50	
				DC	AC	DC	AC	DC	AC	[V/Hz]	[V/Hz]	[V/Hz]	
Housing material stainless steel, G-inner thread, seal material PTFE/PEEK													
A, solenoid valve 2/2-way Direct-acting Normally closed 	G ¼	2.0	0.14	0...100	0...100	0...100	0...75	0...100	0...100	184689 ₺	271441 ₺	184690 ₺	
		3.0	0.28	0...40	0...50	0...40	0...50	0...40	0...50	247937 ₺	X	X	
		4.0	0.54	0...20	0...30	0...20	0...30	0...20	0...30	184692 ₺	230667 ₺	184693 ₺	
	G ⅜	6.0	0.95	0...5	0...12	0...5	0...12	0...5	0...16	300077 ₺	X	304305 ₺	
		4.0	0.54	0...20	0...30	0...20	0...30	0...20	0...30	292674 ₺	X	X	
		6.0	0.95	0...5	0...12	0...5	0...12	0...5	0...16	184695 ₺	202757 ₺	184696 ₺	
	G ½	8.0	1.6	0...2	0...5	0...2	0...5	0...2	0...5	386853 ₺	X	184699 ₺	
		6.0	0.95	0...5	0...12	0...5	0...12	0...5	0...16	259348 ₺	X	280481 ₺	
		8.0	1.6	0...2	0...5	0...2	0...5	0...2	0...5	386854 ₺	X	X	
		10.0	1.8	0...1.2	0...2	0...1.2	0...2	0...1.2	0...3	386845 ₺	X	184702 ₺	
		12.0	2	0...0.8	0...1.2	0...0.8	0...1.2	0...0.8	0...2	242932 ₺	227982 ₺	184705 ₺	
	B, solenoid valve 2/2-way Direct-acting Normally open 	G ¼	1.5	0.07	0...60	0...60	0...60	0...60	0...60	0...60	20011122 ₺	X	20011123 ₺
			2.0	0.14	0...30	0...30	0...30	0...30	0...30	0...30	20011130 ₺	X	X
			3.0	0.28	0...16	0...16	0...16	0...16	0...16	0...16	20011133 ₺	X	X
G ⅜		4.0	0.54	0...10	0...10	0...10	0...10	0...10	0...10	20011141 ₺	X	223726 ₺	
		6.0	0.95	0...6	0...6	0...6	0...6	0...6	0...6	20011163 ₺	X	X	
		4.0	0.54	0...10	0...10	0...10	0...10	0...10	0...10	X	X	X	
G ½		6.0	0.95	0...6	0...6	0...6	0...6	0...6	0...6	20011164 ₺	X	20011165 ₺	
		6.0	0.95	0...6	0...6	0...6	0...6	0...6	0...6	X	X	X	

X: on request

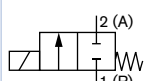
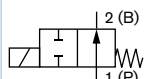
DTS 1000089742 EN Version: AI Status: RL (released | freigegeben | valide) printed: 20.03.2023

Circuit function	Port connection	Orifice	K _v value water	Medium pressure Kick and Drop coil 44/6.5 W	Article no. Kick and Drop coil 44/6.5 W		Medium pressure Kick and Drop coil 85/8.5 W	Article no. Kick and Drop coil 85/8.5 W	
					024/AC/DC	230/AC		024/AC/DC	230/AC
		[mm]	[m ³ /h]	[bar]	[V/Hz]	[V/Hz]	[bar]	[V/Hz]	[V/Hz]
Housing material stainless steel, G-inner thread, seal material PTFE/PEEK									
A, solenoid valve 2/2-way Direct-acting Normally closed 	G ¼	3.0	0.28	0...50	386750	386756	0...80	386762	386768
		4.0	0.54	0...25	386751	386757	0...40	386763	386769
		6.0	0.95	0...6	386752	386758	0...12	386764	386770
	G ½	8.0	1.6	0...2.5	386753	386759	0...6	386765	386771
		10.0	1.8	0...1.5	386754	386760	0...3.5	386766	386772
		12.0	2	0...1.2	386755	386761	0...2	386767	386773

7.5. Ordering chart high pressure version up to 250 bar (MX32) or 160 bar (MX31)

Note:

Further versions with alternative voltages, NPT or RC inner thread, as flange or screw-in version, seal material PEEK/EPDM available on request.

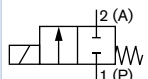
Circuit function	Port connection	Orifice	K _v value water	Pressure range						Article no.		
				Water		Oil		Air		024/DC	024/AC	230/AC
				DC	AC	DC	AC	DC	AC			
[mm]	[m ³ /h]	[bar]	[bar]	[bar]	[bar]	[bar]	[bar]	[bar]	[bar]	[V/Hz]	[V/Hz]	[V/Hz]
Housing material stainless steel, G-inner thread, seal material PEEK/FKM, cable head with integrated rectifier for AC part of delivery												
High pressure version with ball sealing												
A, solenoid valve 2/2-way Direct-acting Normally closed 	G ¼	1.0	0.03	0...250	0...250	0...250	0...250	0...250	0...250	265507	-	267229
				0...250	0...250	0...200	0...200	0...250	0...250	-	267226	-
		1.5	0.07	0...150	0...150	0...80	0...80	0...150	0...150	267217	-	267237
				0...150	0...150	0...70	0...70	0...150	0...150	-	267234	-
B, solenoid valve 2/2-way Direct-acting Normally open 	G ¼	1.0	0.03	0...200	0...200	0...150	0...150	0...250	0...250	269823	267219	267239
		1.5	0.07	0...100	0...100	0...80	0...80	0...130	0...130	269824	267240	271269

DTS 1000089742 EN Version: AI Status: RL (released | freigegeben | valide) printed: 20.03.2023

7.6. Ordering chart version DN 13 with increased lifespan (NF39)

Note:

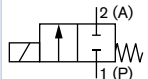
- Further versions with alternative voltages, stainless steel body, 3/4" connection, seal material EPDM/EPDM on request.
- For all subsequent values, the nominal diameter is 13 mm and the K_v value water is 4 m³/h.

Circuit function	Port connection	Orifice [mm]	K_v value water [m ³ /h]	Pressure range						Article no.		
				Water		Oil		Air		024/DC [V/Hz]	024/AC [V/Hz]	230/AC [V/Hz]
				DC [bar]	AC [bar]	DC [bar]	AC [bar]	DC [bar]	AC [bar]			
Housing material brass, seal material FKM/FKM												
For liquid and gaseous media												
A, solenoid valve 2/2-way Direct-acting Normally closed 	G 1/2	13.0	4	0...0.15	0...0.15	0...0.15	0...0.15	0...0.15	0...0.15	315080	315082	315084
				0...0.75	–	0...0.75	–	0...0.75	–	315088	–	–
	NPT 1/2	13.0	4	0...0.15	0...0.15	0...0.15	0...0.15	0...0.15	0...0.15	315095	315097	315100
				0...0.75	–	0...0.75	–	0...0.75	–	315102	–	–

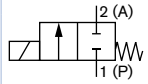
7.7. Ordering chart DIN EN 161 (PO19) certification version

Note:

- Materials and dimensions for DN 4...DN 12 see "3.2. Material specifications standard version" on page 5 and for DN 13 see "3.4. Material specifications version DN 13" on page 7
- Further versions with alternative voltages, brass housing, 1/4" or 3/4" connection on request.

Circuit function	Port connection	Orifice [mm]	K_v value water [m ³ /h]	Pressure range		Seal material	Coil size [mm]	Article no.		
				Gas				024/DC [V/Hz]	024/AC [V/Hz]	230/AC [V/Hz]
				DC [bar]	AC [bar]					
Housing material stainless steel, G-inner thread, seal material NBR/NBR or FKM/FKM optional, cable head with integrated rectifier for AC included.										
Automatic shut-off valves for gas burners up to 5 bar with increased lifespan NF39										
A, solenoid valve 2/2-way Direct-acting Normally closed 	G 3/8	4.0	0.54	0...6	0...10	FKM	42	322103	X	X
				0...15	–	NBR	65	322105	–	–
	G 3/8	6.0	0.95	0...2.5	0...2.5	FKM	42	X	X	X
				0...7.5	–	NBR	65	X	–	–
	G 1/2	8.0	1.6	0...1.3	0...1.3	FKM	42	322107	X	X
				0...4	–	NBR	65	322109	–	–
	G 1/2	10.0	1.8	0...0.5	0...0.5	FKM	42	X	X	X
				0...1.8	–	NBR	65	X	–	–
	G 1/2	12.0	2.0	0...0.4	0...0.4	FKM	42	X	X	X
				0...1.4	–	NBR	65	X	–	–
	G 1/2	13.0	3.0	0...0.15	0...0.15	FKM	42	322110	X	X
				0...0.75	–	NBR	65	322112	–	–

X: on request

Circuit function	Port connection	Orifice [mm]	K _v value water [m³/h]	Pressure range		Seal material	Coil size [mm]	Article no.	
				Gas	AC			024/DC	230/50
				[bar]	[bar]			[V/Hz]	[V/Hz]
Housing material brass, G-inner thread, seal material NBR/NBR									
Automatic shut-off valves for gas burners up to 5 bar in standard									
A, solenoid valve 2/2-way Direct-acting Normally closed 	G 3/8	4.0	0.54	0...13		NBR	42	X	322106 ☞
	G 1/2	6.0	0.95	0...5.5		NBR	42	X	291453 ☞
	G 1/2	8.0	1.6	0...2.3		NBR	42	X	270994 ☞
	G 1/2	10.0	1.8	0...1.3		NBR	42	X	267347 ☞
	G 1/2	13.0	3.0	0...0.5		NBR	42	X	-

X: on request

7.8. Ordering chart oil burner version (PF15)

Feed line valve/return line valve combinations

If the oil burner is designed with a return nozzle and without a nozzle shut-off valve (see DIN EN 267), the feed line and return line valves with safety shut-off function are required. The following combinations are possible:

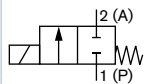
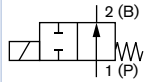
Feed line valve				Return line valve			
Type	Orifice [mm]	Housing material	K _v value water [m³/h]	Type	Orifice [mm]	Housing material	K _v value water [m³/h]
6027	3	Brass/stainless steel	0.22	6027	3	Brass/stainless steel	0.18
6027	3.5	Brass/stainless steel	0.38	6027	3.5	Brass/stainless steel	0.35
5406 ^{1.)}	13	Brass	3.5	6027	10	Brass	1.8
5406 ^{1.)}	20	Stainless steel	6.3	5407 ^{2.)}	20	Stainless steel	4.7

1.) See data sheet **Type 5406** ▶ solenoid valve safety shut off valve for oil burner

2.) See data sheet **Type 5407** ▶ solenoid valve safety shut off valve for oil burner

Note:

Further versions with alternative voltages, frequencies and thread connections on request.

Circuit function	Port connection	Orifice [mm]	K _v value water [m³/h]	Appli-cations	Closing times [ms]	Electrical power		Pressure range		Article no.	
						Opera-tion	Inrush	Oil		110...120/50	220...240/50
						[W]	[VA]	Differential pressure [bar]	Static pressure [bar]	[V/Hz]	[V/Hz]
Housing material brass, G-inner thread, seal material PTFE/FKM											
DIN EN ISO 23553-1 Safety isolating equipment for liquid fuels PF15											
A, solenoid valve 2/2-way Direct-acting Normally closed 	G 1/8	3.0	0.22 0.18	Feed line Return line	30	20	120	0...30	30	322828 ☞	322829 ☞
	G 1/4	3.0	0.22 0.18	Feed line Return line	30	20	120	0...30	30	X	322830 ☞
										3.5	0.38
	G 3/8	10.0	2	Return line	50	20	180	-	30	X	X
	G 1/2	10.0	2	Return line	50	20	180	-	30	281947 ☞	281948 ☞
B, solenoid valve 2/2-way Direct-acting Normally open 	G 1/4	2.2	0.16	circulation line	30	20	120	0...30	30	301018 ☞	261036 ☞

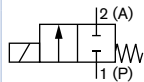
X: on request

7.9. Ordering charts ATEX/IECEx version with 3 meter cable

Standard version with elastomer seal up to 30 bar

Note:

- Further versions with normally open, alternative voltages, stainless steel body, NPT- or RC-inner thread, seal material EPDM/EPDM on request.
- The Kick and Drop coil features integrated electronics for short-term power increase and decrease in double-coil technology.

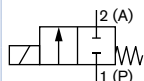
Circuit function	Port connection	Orifice [mm]	K _v value water [m ³ /h]	Medium pressure standard [bar]	Article no.		Medium pressure Kick and Drop coil [bar]	Article no. Kick and Drop coil	
					024/AC/DC	230/AC/DC		024/AC/DC	230/AC
					[V/Hz]	[V/Hz]		[V/Hz]	[V/Hz]
Body material brass with G-inner thread, seal material FKM/FKM									
A, solenoid valve 2/2-way Direct-acting Normally closed 	G ¼	3.0	0.28	0...30	X	X	0...30	X	X
		4.0	0.54	0...10	X	X	0...30	X	X
		5.0	0.73	0...3	X	380761 ☞	0...10	X	X
		6.0	0.95	0...1.5	X	380769 ☞	0...6	X	X
	G ½	8.0	1.6	0...1	X	X	0...3	380779 ☞	380780 ☞
		10.0	1.8	0...0.6	380786 ☞	380787 ☞	0...2	X	X

X: on request

Standard version with pendulum seal up to 100 bar

Note:

- Further versions with normally open, alternative voltages, brass housing, NPT- or RC-inner thread, seal material PTFE/FKM or PTFE/EPDM on request.
- The Kick and Drop coil features integrated electronics for short-term power increase and decrease in double-coil technology.

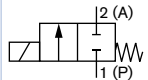
Circuit function	Port connection	Orifice [mm]	K _v value water [m ³ /h]	Medium pressure standard [bar]	Article no.		Medium pressure Kick and Drop coil [bar]	Article no. Kick and Drop coil	
					024/AC/DC	230/AC/DC		024/AC/DC	230/AC
					[V/Hz]	[V/Hz]		[V/Hz]	[V/Hz]
Body material stainless steel with G-inner thread, seal material PTFE/PEEK									
A, solenoid valve 2/2-way Direct-acting Normally closed 	G ¼	2.0	0.14	0...60	380720 ☞	380722 ☞	0...100	X	X
		3.0	0.28	0...20	380734 ☞	X	0...50	X	X
		4.0	0.54	0...8	380751 ☞	X	0...25	X	X
	G ½	6.0	0.73	0...1.5	380765 ☞	380766 ☞	0...6	X	X
		8.0	0.95	0...0.8	X	X	0...2.5	X	X
		10.0	1.6	0...0.5	X	X	0...1.5	X	X
		12.0	1.8	0...0.3	X	X	0...1.2	X	X

X: on request

Version DN 13

Note:

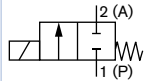
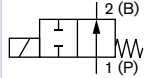
- Further versions with alternative voltages, stainless steel body, NPT- and RC-inner thread, 3/4" connection, seal material EPDM/EPDM or PTFE/PEEK on request.
- The Kick and Drop coil features integrated electronics for short-term power increase and decrease in double-coil technology.

Circuit function	Port connection	Orifice [mm]	K _v value water [m ³ /h]	Medium pressure Kick and Drop coil		Article no. Kick and Drop coil	
				[bar]	[V/Hz]	024/AC/DC [V/Hz]	230/AC [V/Hz]
Body material brass with G-inner thread, seal material FKM/FKM							
A, solenoid valve 2/2-way Direct-acting Normally closed 	G 1/2	13.0	4	0...0.5		380791	380793

High pressure version up to 250 bar (MX32) or 160 bar (MX31)

Note:

- Further versions with alternative voltages, NPT- and RC-inner thread, seal material PEEK/EPDM on request.
- The Kick and Drop coil features integrated electronics for short-term power increase and decrease in double-coil technology.

Circuit function	Port connection	Orifice [mm]	K _v value water [m ³ /h]	Medium pressure standard			Article no.		Medium pressure Kick and Drop coil			Article no. Kick and Drop coil	
				Water [bar]	Oil [bar]	Air [bar]	024/AC/DC [V/Hz]	230/AC/DC [V/Hz]	Water [bar]	Oil [bar]	Air [bar]	024/AC/DC [V/Hz]	230/AC [V/Hz]
Body material stainless steel with G-inner thread, seal material PEEK/FKM													
A, solenoid valve 2/2-way Direct-acting Normally closed 	G 1/4	1.0	0.03	0...200	0...150	0...250	380702	380706	0...250	0...250	0...250	380704	X
		1.5	0.07	0...80	0...40	0...100	380708	380709	0...160	0...160	0...160	X	X
B, solenoid valve 2/2-way Direct-acting Normally open 	G 1/4	1.0	0.03	-	-	-	-	-	0...200	0...160	0...250	380794	X
		1.5	0.07	-	-	-	-	-	0...100	0...80	0...130	X	X

X: on request

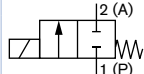
DTS 1000089742 EN Version: AI Status: RL (released | freigegeben | valide) printed: 20.03.2023

7.10. Ordering chart ATEX/IECEX version clamp terminal box

Standard version with elastomer seal up to 30 bar

Note:

- Further versions with normally open, alternative voltages, stainless steel body, NPT- or RC-inner thread, seal material EPDM/EPDM on request.
- The Kick and Drop coil features integrated electronics for short-term power increase and decrease in double-coil technology.

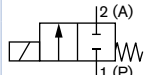
Circuit function	Port connection	Orifice [mm]	K _v value water [m ³ /h]	Medium pressure standard [bar]	Article no.		Medium pressure Kick and Drop coil [bar]	Article no. Kick and Drop coil	
					024 / AC/DC	230 / AC/DC		024 / AC/DC	230 / AC
					[V/Hz]	[V/Hz]		[V/Hz]	[V/Hz]
Body material brass with G-inner thread, seal material FKM/FKM									
A, solenoid valve 2/2-way Direct-acting Normally closed 	G ¼	3.0	0.28	0...30	X	X	0...30	X	X
		4.0	0.54	0...10	X	X	0...30	380753 𐀀	X
		5.0	0.73	0...3	380759 𐀀	380760 𐀀	0...10	X	X
	G ½	6.0	0.95	0...1.5	380770 𐀀	380771 𐀀	0...6	X	X
		8.0	1.6	0...1	X	X	0...3	X	X
		10.0	1.8	0...0.6	380785 𐀀	380802 𐀀	0...2	X	X

X: on request

Standard version with pendulum seal up to 100 bar

Note:

- Further versions with normally open, alternative voltages, brass housing, NPT- or RC-inner thread, seal material PTFE/FKM or PTFE/EPDM on request.
- The Kick and Drop coil features integrated electronics for short-term power increase and decrease in double-coil technology.

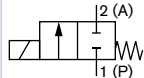
Circuit function	Port connection	Orifice [mm]	K _v value water [m ³ /h]	Medium pressure standard [bar]	Article no.		Medium pressure Kick and Drop coil [bar]	Article no. Kick and Drop coil	
					024 / AC/DC	230 / AC/DC		024 / AC/DC	230 / AC
					[V/Hz]	[V/Hz]		[V/Hz]	[V/Hz]
Body material stainless steel with G-inner thread, seal material PTFE/PEEK									
A, solenoid valve 2/2-way Direct-acting Normally closed 	G ¼	2.0	0.14	0...60	380719 𐀀	380721 𐀀	0...100	X	X
		3.0	0.28	0...20	380733 𐀀	X	0...50	X	X
		4.0	0.54	0...8	380750 𐀀	X	0...25	X	X
	G ½	6.0	0.73	0...1.5	X	X	0...6	X	X
		8.0	0.95	0...0.8	380777 𐀀	X	0...2.5	X	X
		10.0	1.6	0...0.5	X	X	0...1.5	X	X
		12.0	1.8	0...0.3	X	X	0...1.2	X	X

X: on request

Version DN 13

Note:

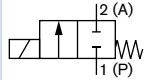
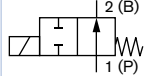
- Further versions with alternative voltages, stainless steel body, NPT- and RC-inner thread, 3/4" connection, seal material EPDM/EPDM or PTFE/PEEK on request.
- The Kick and Drop coil features integrated electronics for short-term power increase and decrease in double-coil technology.

Circuit function	Port connection	Orifice [mm]	K _v value water [m ³ /h]	Medium pressure Kick and Drop coil [bar]	Article no. Kick and Drop coil	
					024/AC/DC	230/AC
					[V/Hz]	[V/Hz]
Body material brass with G-inner thread, seal material FKM/FKM						
A, solenoid valve 2/2-way Direct-acting Normally closed 	G 1/2	13.0	4	0...0.5	380790	380792

High pressure version up to 250 bar (MX32) or 160 bar (MX31)

Note:

- Further versions with alternative voltages, NPT- and RC-inner thread, seal material PEEK/EPDM on request.
- The Kick and Drop coil features integrated electronics for short-term power increase and decrease in double-coil technology.

Circuit function	Port connection	Orifice [mm]	K _v value water [m ³ /h]	Medium pressure standard			Article no.		Medium pressure Kick and Drop coil			Article no. Kick and Drop coil	
				Water	Oil	Air	024/AC/DC	230/AC/DC	Water	Oil	Air	024/AC/DC	230/AC
				[bar]	[bar]	[bar]	[V/Hz]	[V/Hz]	[bar]	[bar]	[bar]	[V/Hz]	[V/Hz]
Body material stainless steel with G-inner thread, seal material PEEK/FKM													
A, solenoid valve 2/2-way Direct-acting Normally closed 	G 1/4	1.0	0.03	0...200	0...150	0...250	X	380705	0...250	0...250	0...250	380703	X
		1.5	0.07	0...80	0...40	0...100	X	X	0...160	0...160	0...160	X	X
B, solenoid valve 2/2-way Direct-acting Normally open 	G 1/4	1.0	0.03	-	-	-	-	-	0...200	0...160	0...250	380803	X
		1.5	0.07	-	-	-	-	-	0...100	0...80	0...130	X	X

X: on request

DTS 1000089742 EN Version: AI Status: RL (released | freigegeben | valide) printed: 20.03.2023

Further versions on request	
Certification <ul style="list-style-type: none"> cULus (UL Listed) certification cURus (UL Recognized) certification Drinking water approval acc. to KTW/W270 FDA (Food and Drug Administration) certification Versions for oxygen applications 	Temperature Special temperature ranges
Process connection <ul style="list-style-type: none"> NPT RC 	Voltage 110/50 and further non-standard voltages

7.11. Ordering chart accessories

Cable plug Type 2518, form A according to DIN EN 175301 - 803

Note:

For other versions see data sheet [Type 2518](#) ▶.

Cable plug	Dimensions	Version	Voltage	Article no.
		Without circuitry (AC/DC)	0...250 V AC/DC	314802
		With LED (AC/DC)	12...24 V AC/DC	314812
		With LED and varistor (AC/DC)	12...24 V AC/DC	314820
		With rectifier, LED and varistor	12...24 V AC/DC	314816
		Without circuitry (AC/DC) with silicone seal for higher ambient temperature, e.g. oil burner version (PF15)	0...250 V AC/DC	361687

Cable plug Type 2513, form A according to DIN EN 175301 - 803

Note:




- The cable plug Type 2513 meets the requirements of ATEX category 3 GD.
- For more information on the cable plug, see data sheet [Type 2513](#) ▶.

Cable plug	Circuit diagram	Cable length [mm]	Article no.
		12000	260893
		5000	260892
		3000	260891
		300	260890

DTS 1000089742 EN Version: AI Status: RL (released | freigegeben | valide) printed: 20.03.2023

Cable glands for ATEX/IECEx terminal box**Note:**

- A cable gland in polyamide version is included in the delivery. A nickel-plated brass version can be ordered at surcharge.
- For more information on Ex cable glands, see “6.1. Cable glands for ATEX/IECEx terminal box” on page 15.

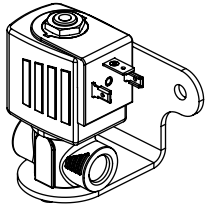

Description	Article no.
Ex cable gland, brass, nickel-plated, 6...13 mm ^{1.)}	773278 
Ex cable gland, polyamide, 7...13 mm ^{1.)}	773277 
Set SC02-AC10: Special wrench ^{2.)} incl. service manual	293488 

1.) Cable diameter

2.) Not included in the scope of delivery of the valve mounting bracket

Mounting bracket for Type 6027/6240**Note:**

- The scope of delivery includes the mounting bracket, two cylinder screws M4x8 and two spring rings.
- The mounting bracket can be used for all standard and high-pressure versions including ATEX/IECEx and DIN EN 161 options up to orifice of 12 mm.
- The mounting bracket can not be used for the oil burner and DN 13 versions as well as various special housings made of solid material.

Description	Article no.
	282304 

Bürkert – Close to You

For up-to-date addresses
please visit us at
www.burkert.com

DTS 1000089742 EN Version: AI Status: RL (released | freigegeben | validé) printed: 20.03.2023

